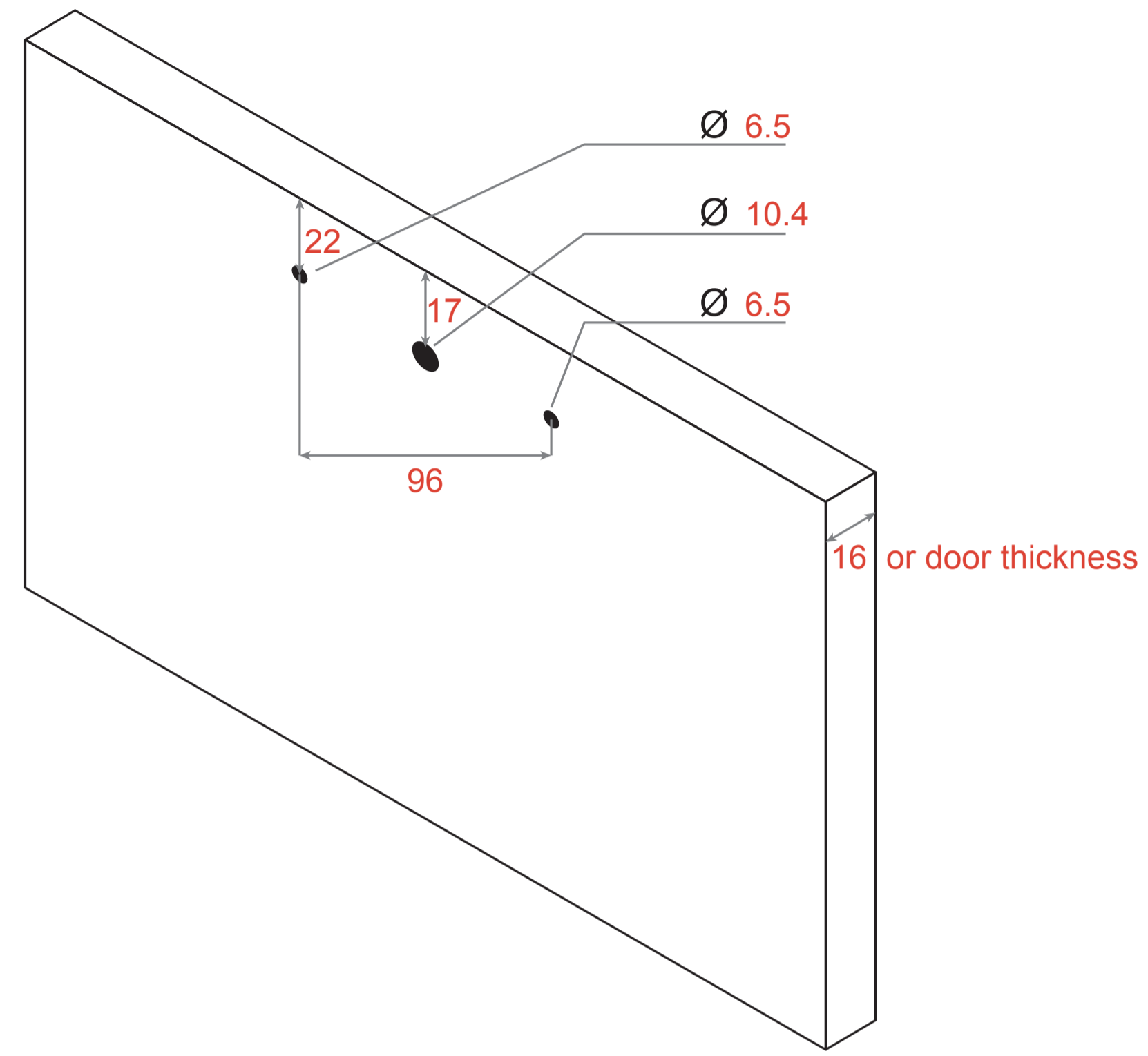


Step 1

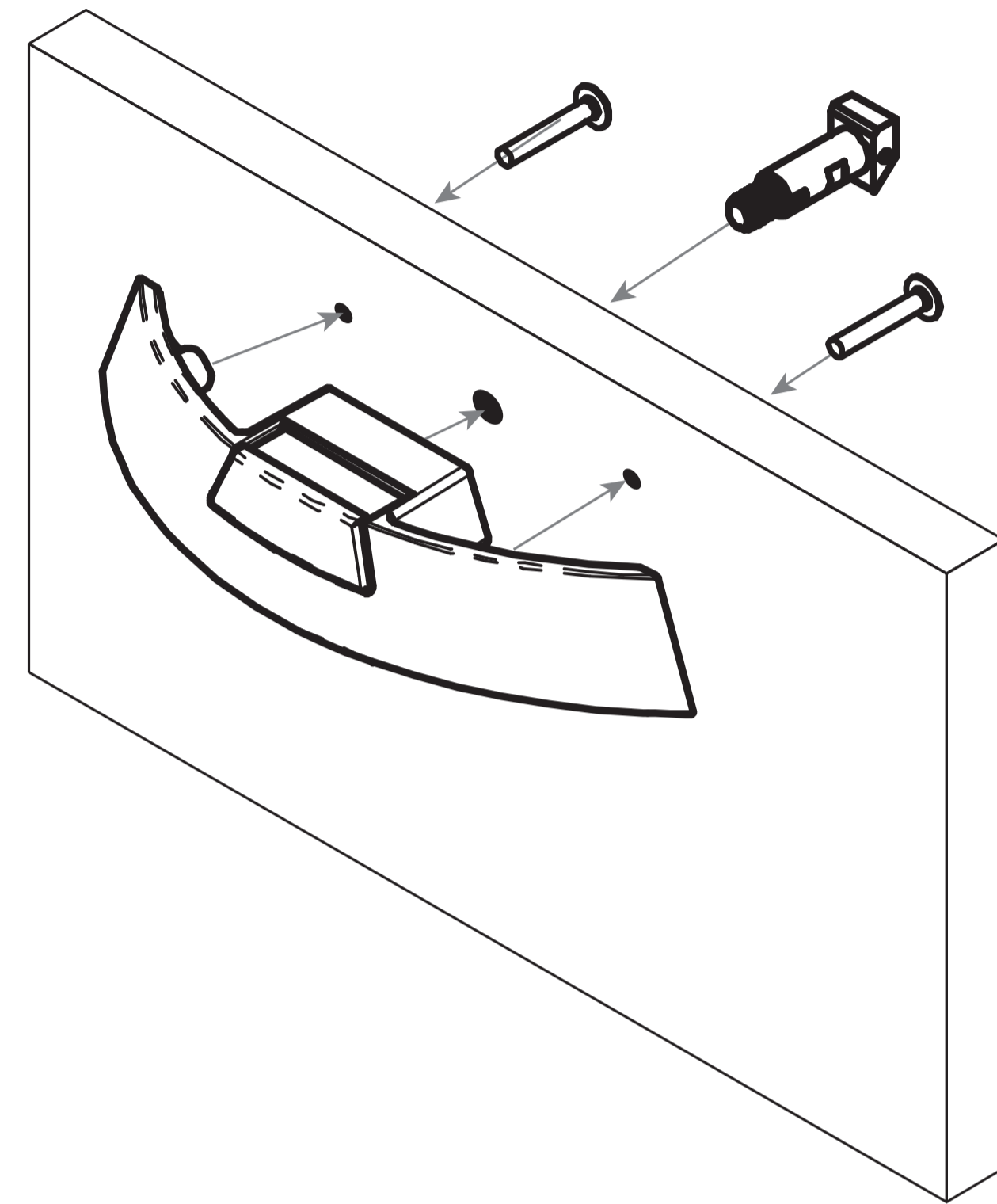
Drill holes on door

measurements are in mm



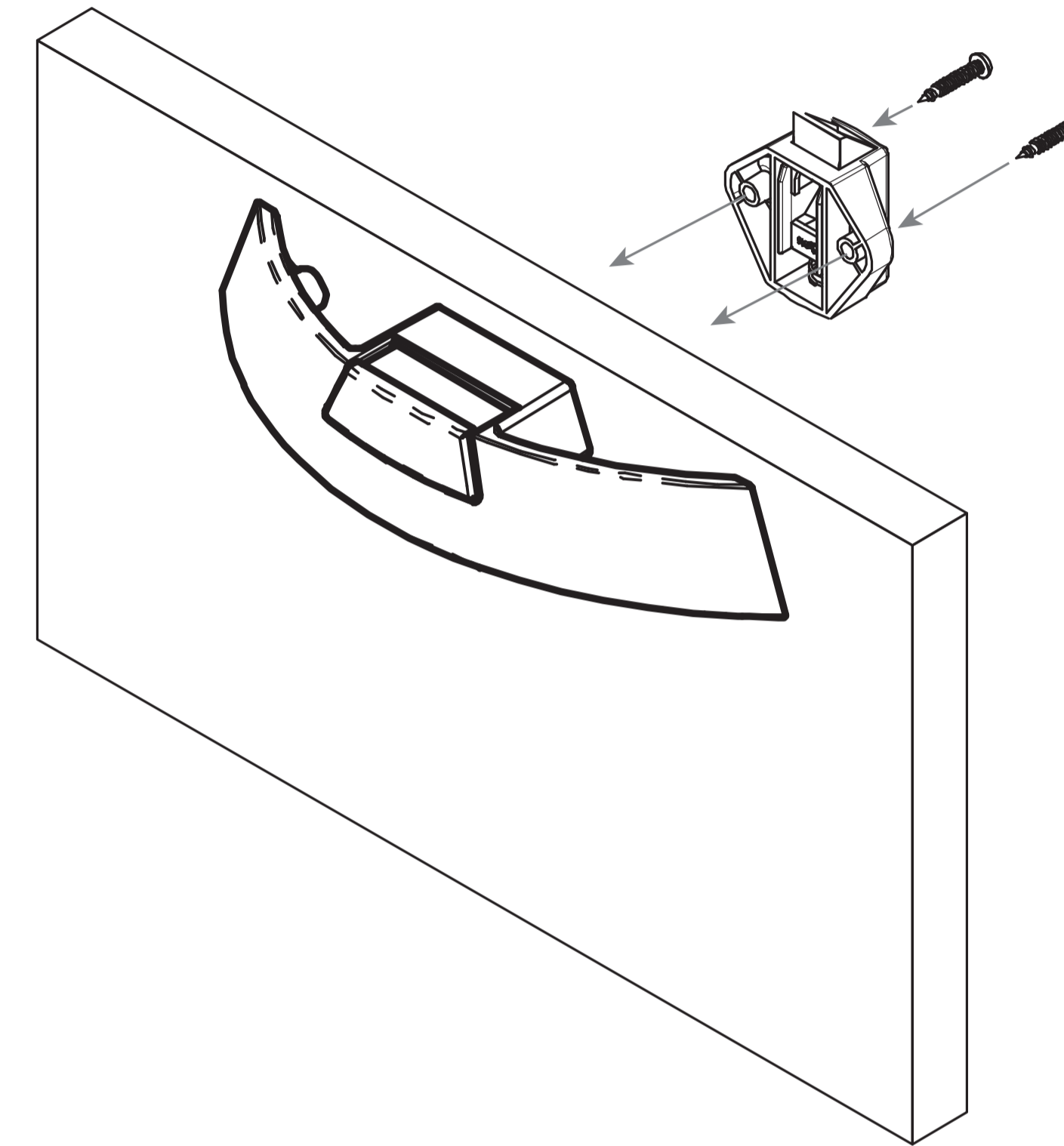
Step 2

Attach the handle using screws and pins to the board



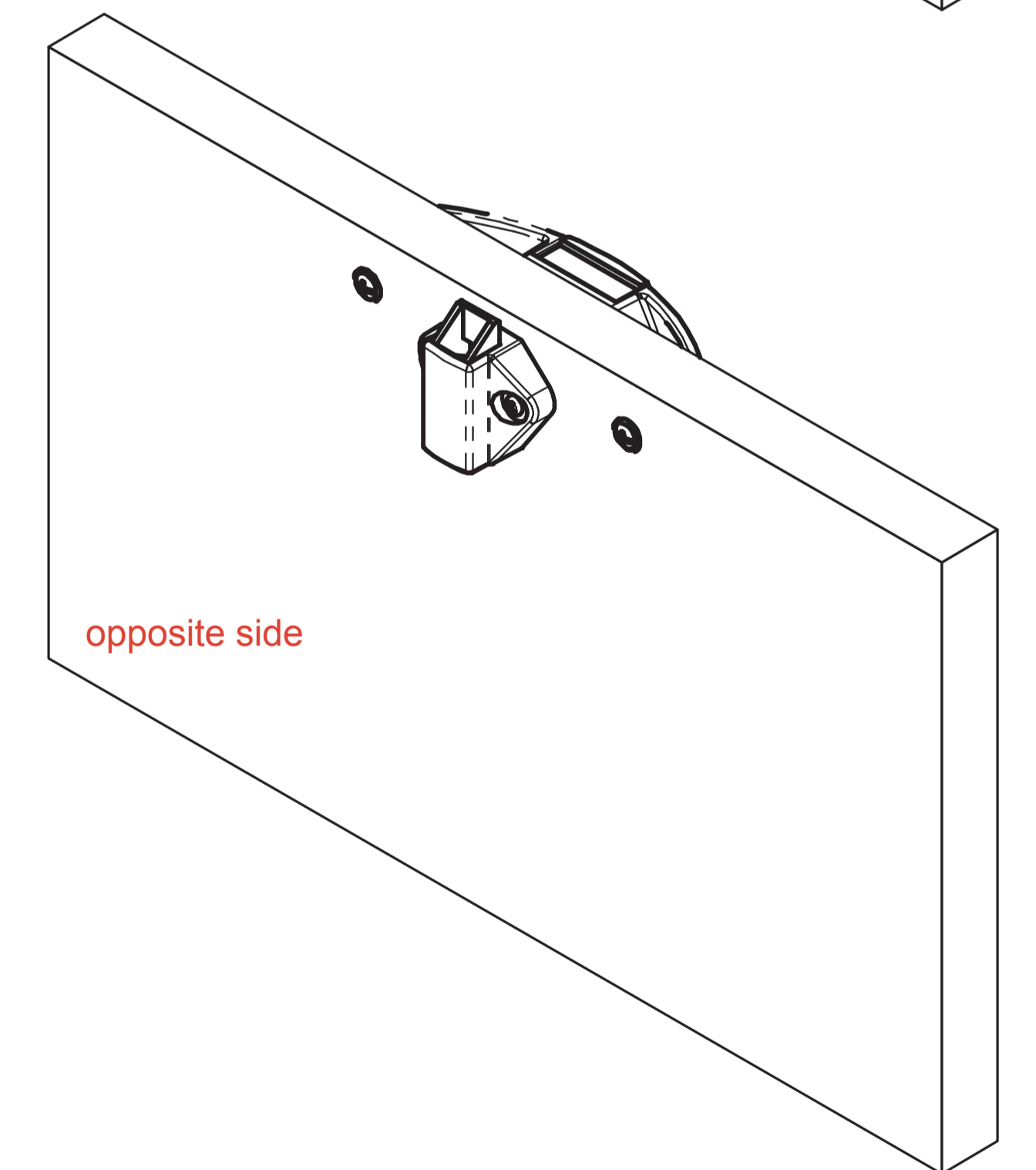
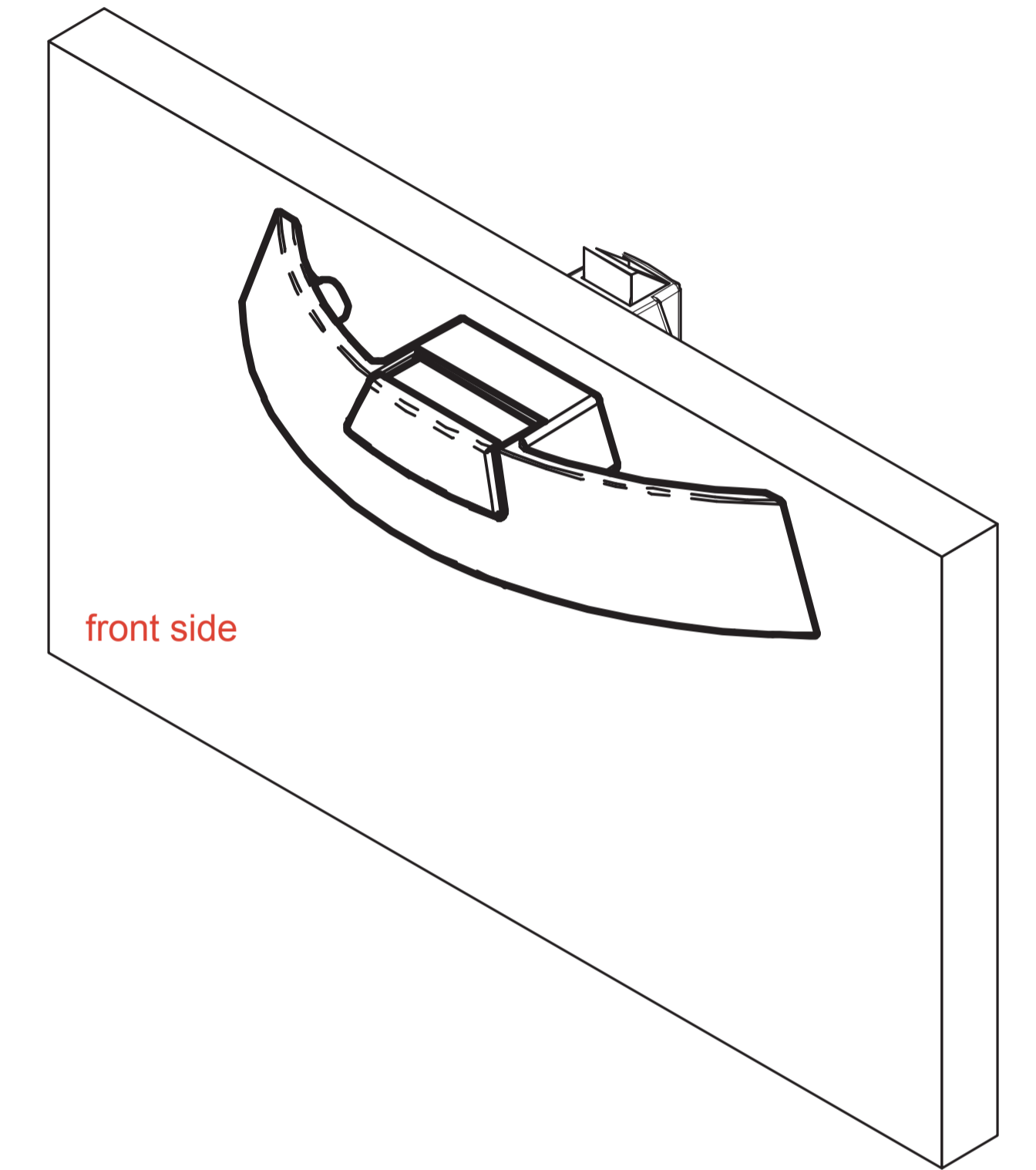
Step 3

Attach lock to the door



Step 4

Completed door



nikpolTM

lockcurve
installation instructions