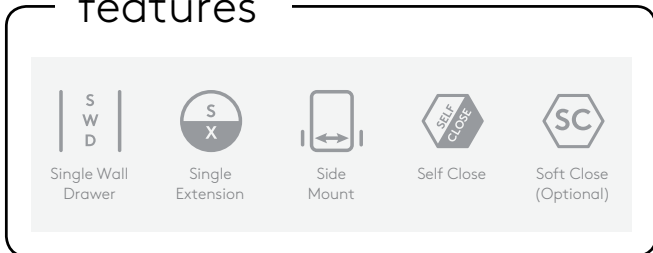




- Load capacity 30kg
- Self-closing
- Double stop positions
- 2-D front panel adjustment
- White finish
- Quiet drawer system
- Soft close option available
- Self closing
- Single extension
- Side mount

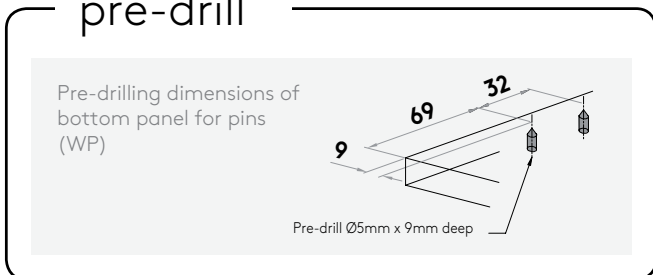
features



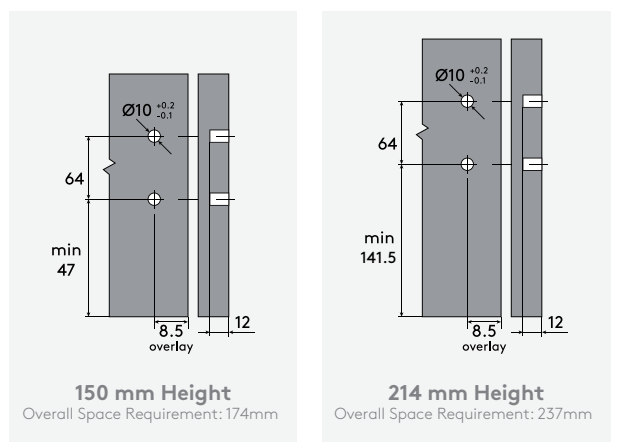
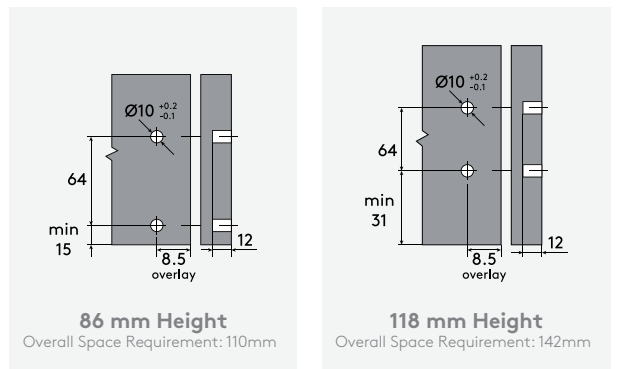
advantages

- No need to construct drawer sides and tool-free assembly and removal makes building a drawer quick and easy
- Thin walls creates more space for storage
- Economical walled drawer system
- Universal front brackets

pre-drill



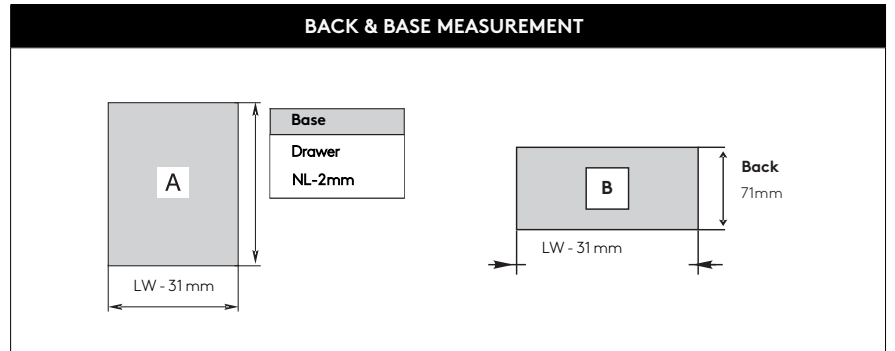
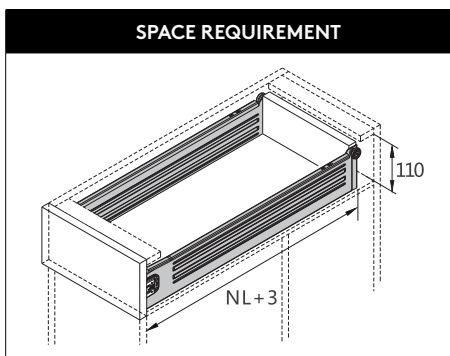
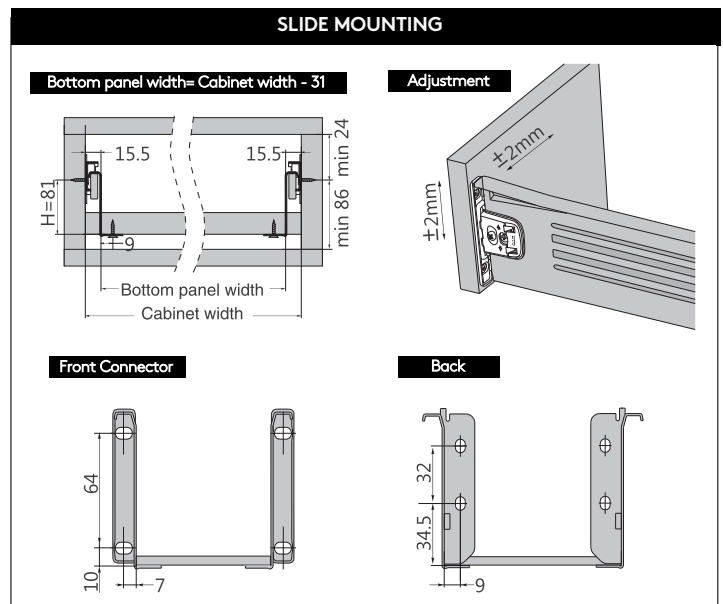
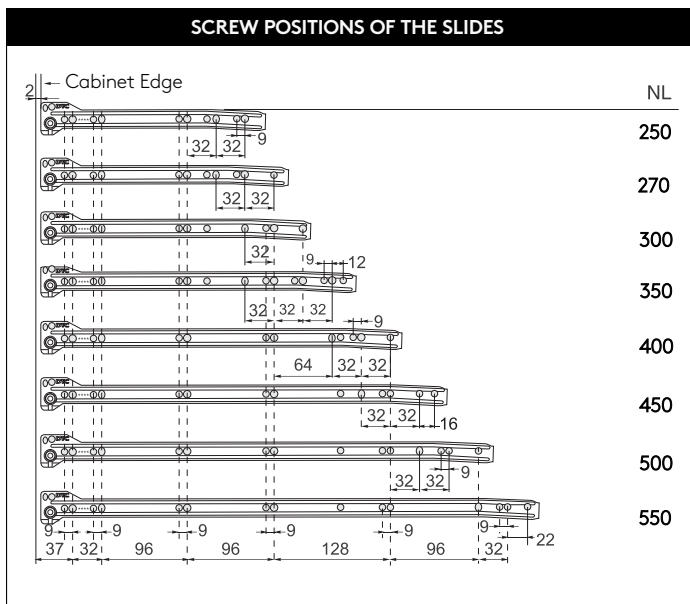
front panel drilling



86mm Titanium X



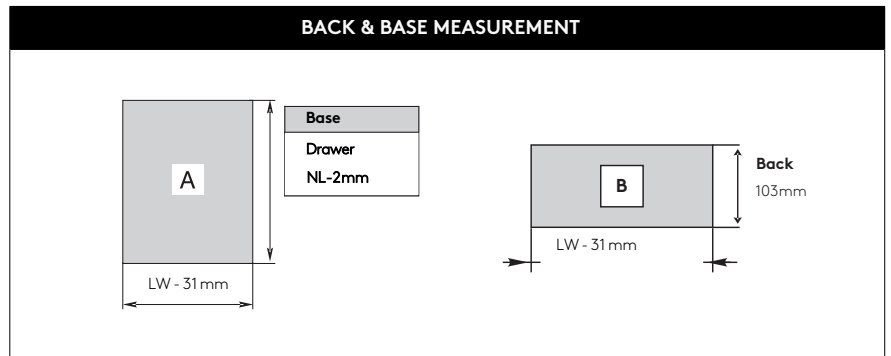
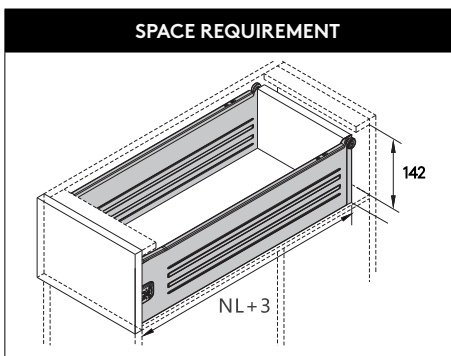
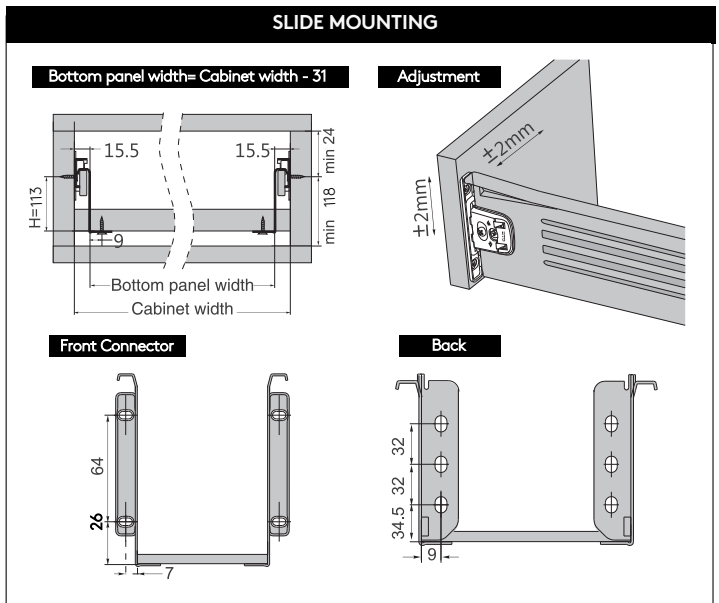
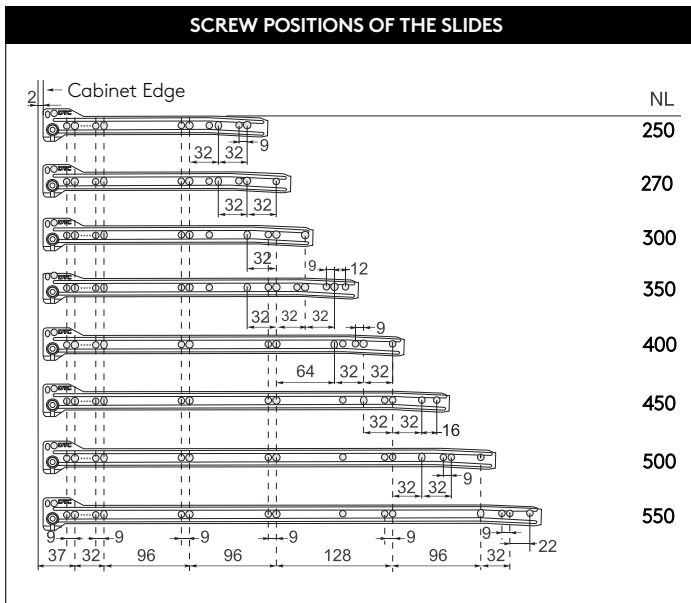
Nominal Length	With Pins	Without Pins	86 mm
250 mm	DTC86250WP	DTC86250W	
300 mm	DTC86300WP	DTC86300W	
350 mm	DTC86350WP	DTC86350W	
400 mm	DTC86400WP	DTC86400W	
450 mm	DTC86450WP	DTC86450W	
500 mm	DTC86500WP	DTC86500W	
550 mm	DTC86550WP	DTC86550W	



## 118mm Titanium X



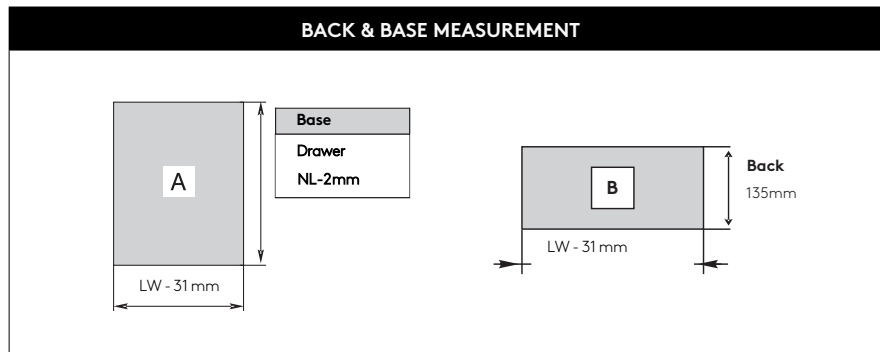
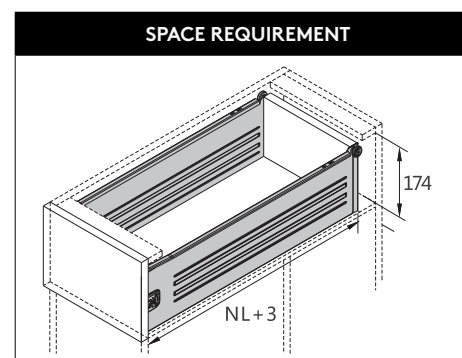
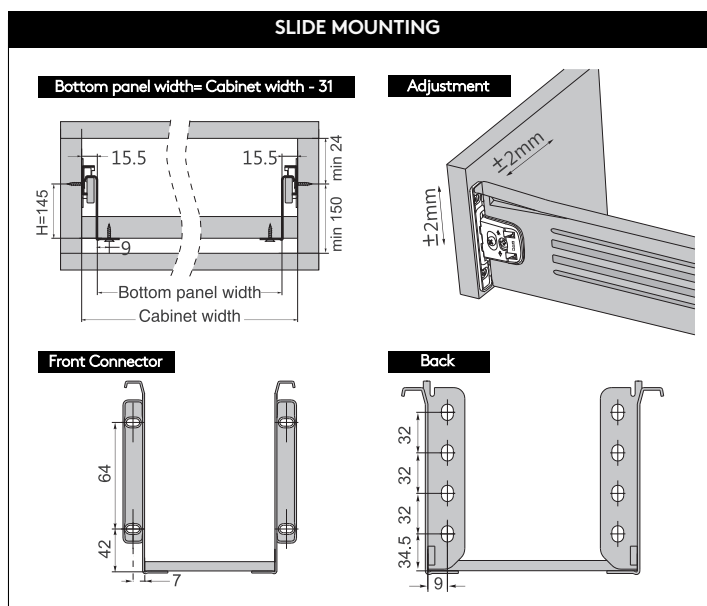
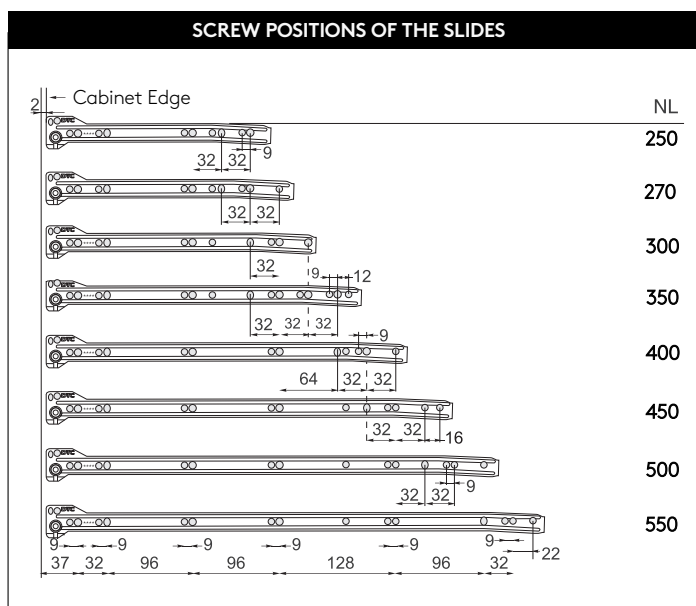
Nominal Length	With Pins	Without Pins	118mm
250 mm	DTC118250WP	DTC118250W	
300 mm	DTC118300WP	DTC118300W	
350 mm	DTC118350WP	DTC118350W	
400 mm	DTC118400WP	DTC118400W	
450 mm	DTC118450WP	DTC118450W	
500 mm	DTC118500WP	DTC118500W	
550 mm	DTC118550WP	DTC118550W	



150mm Titanium X



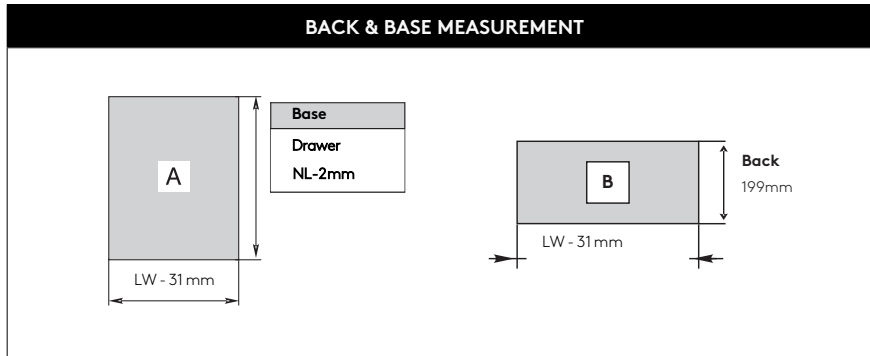
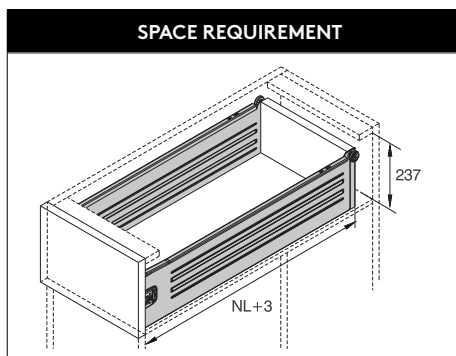
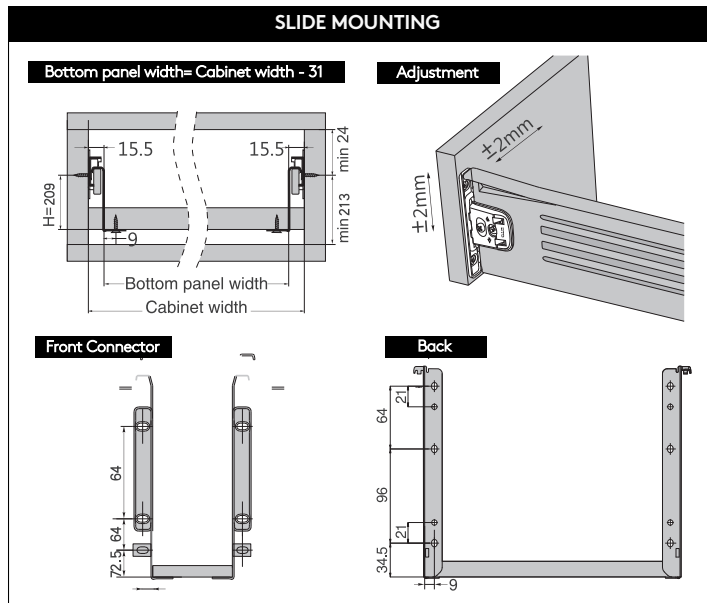
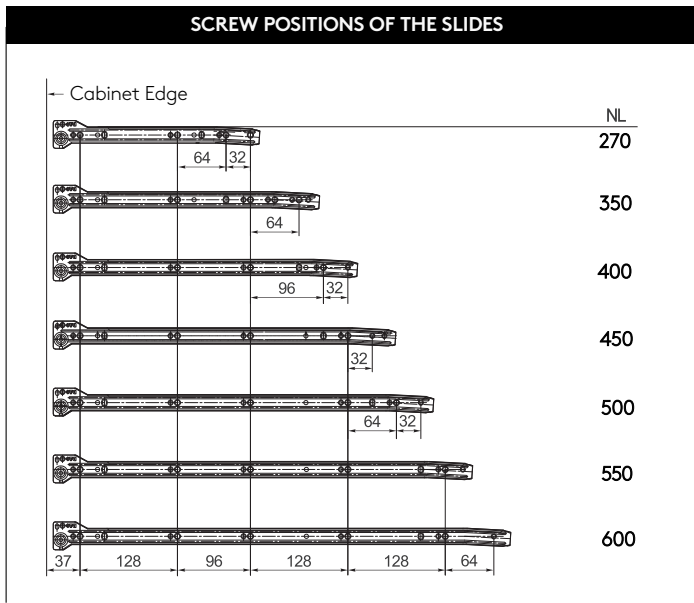
Nominal Length	With Pins	Without Pins	150mm
250 mm			
300 mm			
350 mm	DTC150350WP	DTC150350W	
400 mm	DTC150400WP	DTC150400W	
450 mm	DTC150450WP	DTC150450W	
500 mm	DTC150500WP	DTC150500W	
550 mm	DTC150450WP	DTC150450W	



214mm Titanium X



Nominal Length	With Pins	Without Pins	214 mm
250 mm			
300 mm			
350 mm	DTC214350WP	DTC214350W	
400 mm	DTC214400WP	DTC214400W	
450 mm	DTC214450WP	DTC214450W	
500 mm	DTC214500WP	DTC214500W	
550 mm			

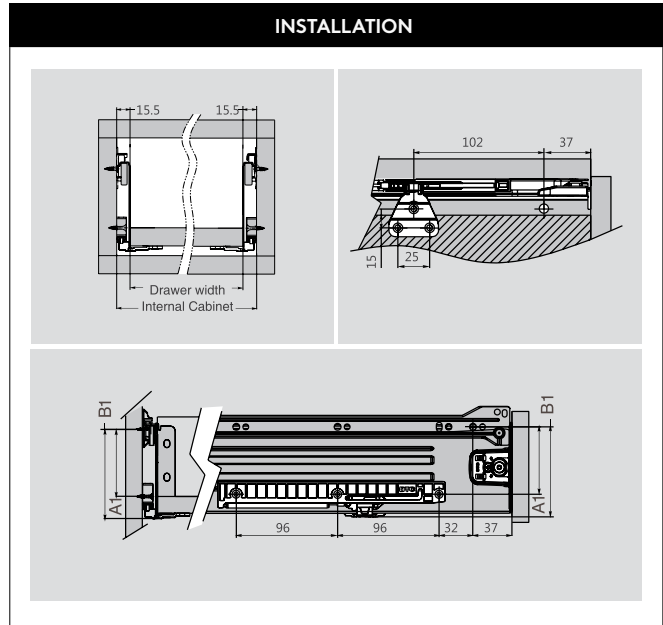




**DTC SYLENTD**

- Load capacity 30kg
- Suits single side metal drawers
- Box quantity - 200
- Nominal length 350mm - 550mm

Panel Height	A1 (mm)	B1 (mm)
86 mm	64	86
118 mm	96	118
150 mm	128	150
214 mm	192	214



**DTC SYLENTDR**

- Load capacity 25kg
- Adapter suits all single extension runner
- Box quantity - 200
- Nominal length 300mm - 600mm

