



**Features**

- Opening angle 107°
- Door thickness 16-28mm
- Suitable for doors 250-700mm high
- Cabinet width up to 1200mm
- 3D door adjustments:
  - Height +/-2mm
  - Depth +/-2mm
  - Side +/-2mm
- Easy to open, and stays at any desired positions
- Tool free assembly and removal
- Hovering adjustment
- Available in 2 colours (standard supply in white)
- Available in push to open options which includes push to open latches

Power Factor LF = Cabinet height KH(mm) x Door weight including double handle weight (kg)

**Top Stay**

<b>DTCSQ02BL03A</b> Power- Light	Load 1.92-3.12kg Height 250-400mm
<b>DTCSQ02BM03A</b> Power- Medium	Load 3.84-4.7kg Height 250-500mm
<b>DTCSQ02BH03A</b> Power- Strong	Load 6.4-7.2kg Height 250-500mm
<b>DTCSF00AH02A</b> Power- Extra Strong	Load 8-12.85kg Height 400-700mm
<b>DTCSQ2FBM03A</b> Power- Medium - PTO	Load 4.24-4.9kg Height 250-500mm
<b>DTCSQ2FBC03A</b> Power- Extra Strong - PTO	Load 7.42-8.33kg Height 350-600mm

**Cover Caps- (Optional)**

- DTCSQJS03B** - Grey
- DTCSFJS01B** - Grey/Dark Grey  
Suits only Extra strong DTCSF00AH02A

**Reducer (if required)**

- DTCSQW100** - 100 degree reducer
- DTCSQW75** - 75 degree reducer
- DTCSFW75** - 75 degree reducer to suit DTCSF00AH02A

**Customised cover caps**



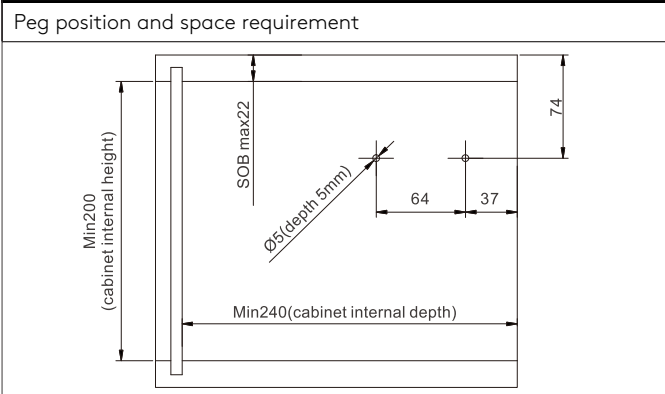
white (standard)



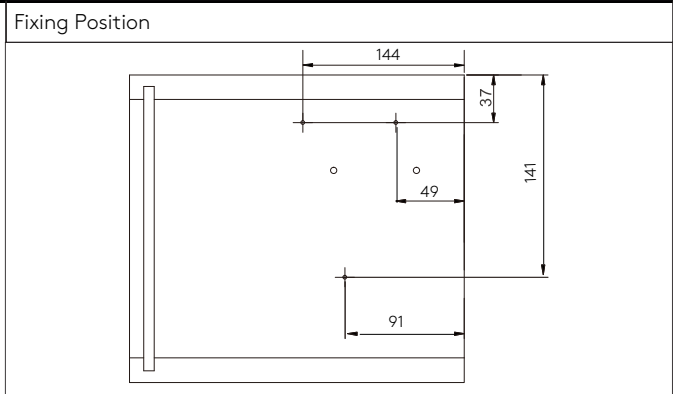
grey/dark grey

## Planning

### Installation Dimensions (mm)

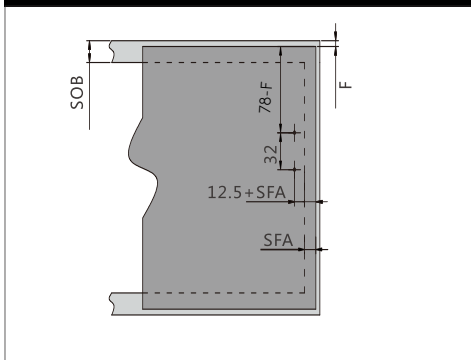


SOB top panel thickness



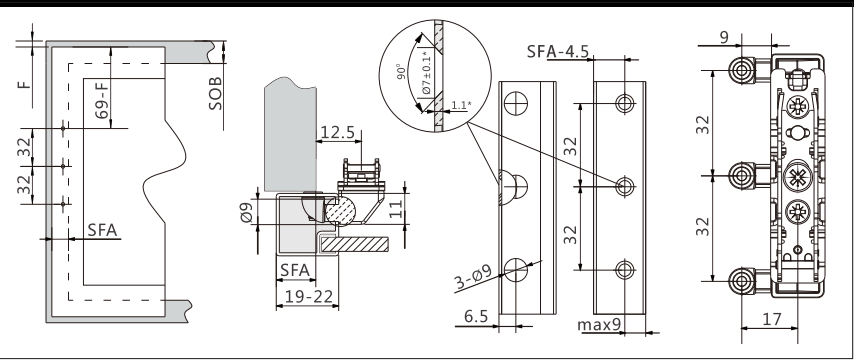
4 x wooden screws Ø4X38mm

### Door Assembly- wooden doors and wide alu frames

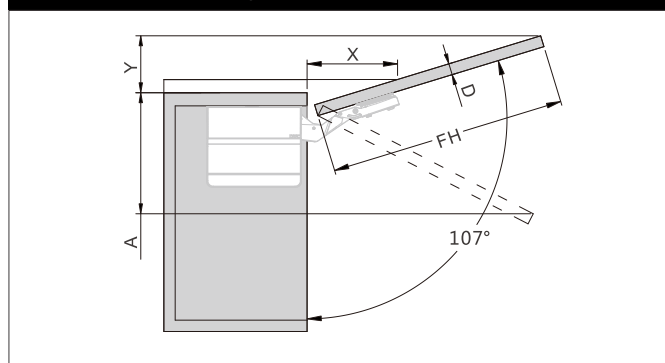


4 x wooden screws for wooden doors (Ø4X16mm)  
SFA: door overlay of the side panel  
F: gap

### Door Assembly- narrow aluminium frames

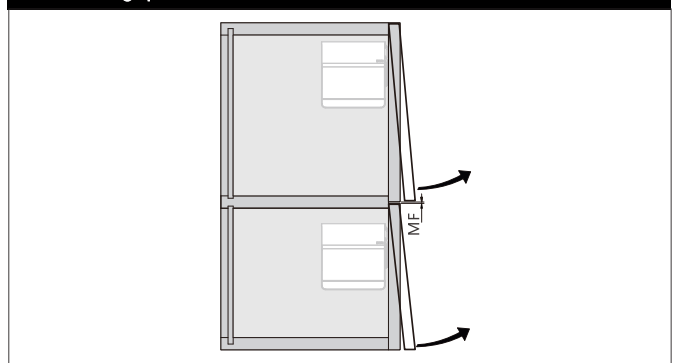


### Cornice/crown moulding clearance



D(mm)	16	19	22	26	28
X(mm)	70	58	49	35	26
Opening angle stop	Space requirement (mm)				
Without	$Y = FH \times 0.29 - 15 + D$				
100 degrees	$Y = FH \times 0.17 - 15 + D$				
75 degrees	$A = FH \times 0.26 + 15 - D$				

### Minimum gap



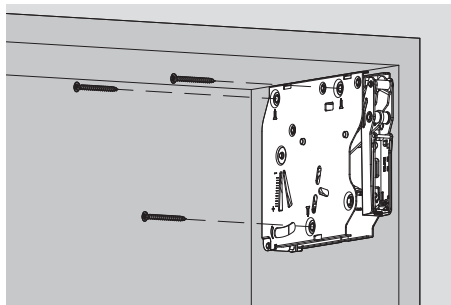
MF Minimum gap 2mm

## Single Caps-Recommended Kit Package

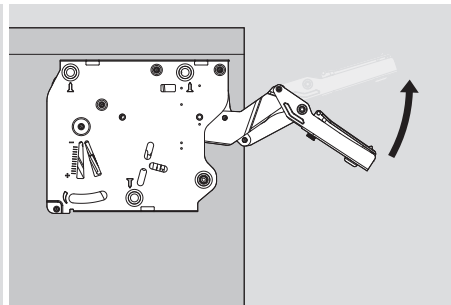
The following components are included in the soft close kit:

1x lift mechanism set	1x single caps set	1x front fixing-brackets set	2 X Decoration cover for hinge arm	6x wooden screw Ø4X38mm	4x wooden screw Ø4X16mm

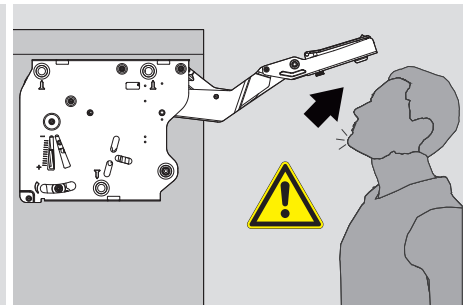
## Assembly



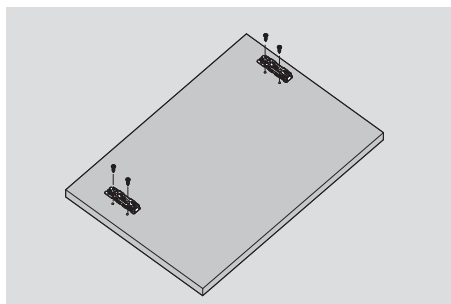
Assembly



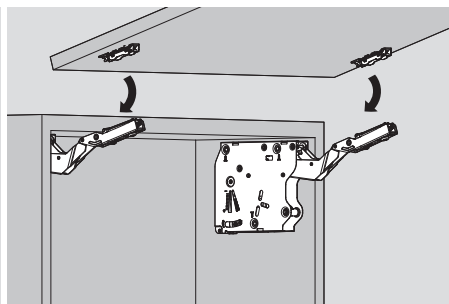
Caution when opening arm



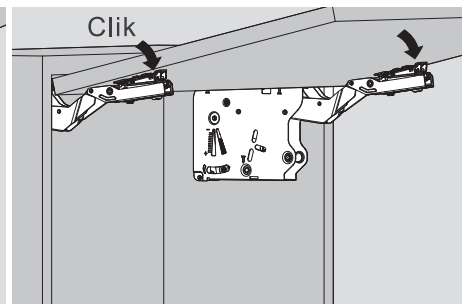
The arm of this device could spring up and cause injury. Do not push the arm down without door attached.



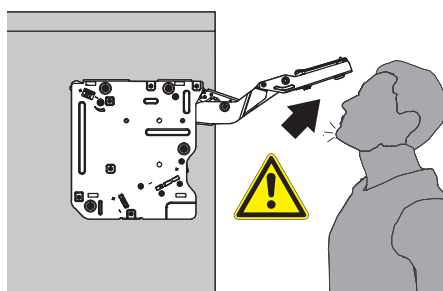
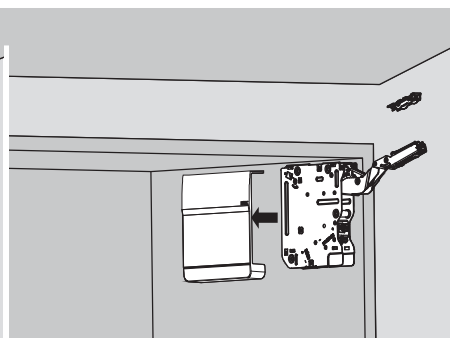
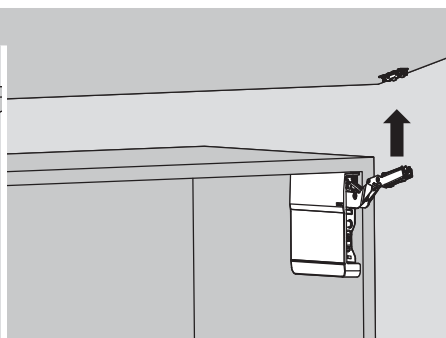
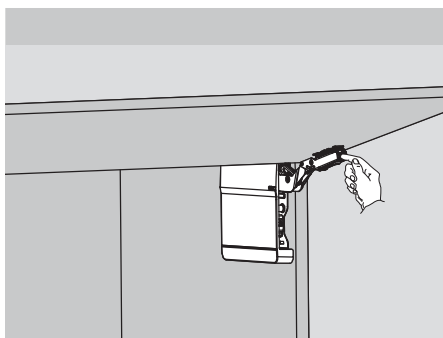
Panel Fastener Installation



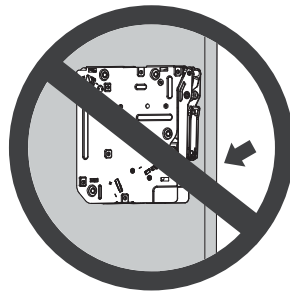
Door Assembly



## Removal



The arm of this device could spring up and cause injury!



Do not push the arm down without door attached

# DTC TOPSTAY PUSH TO OPEN INSTALLATION

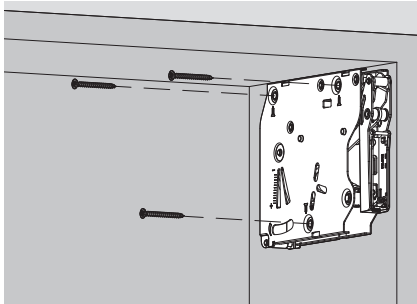


## Single Caps-Recommended Kit Package

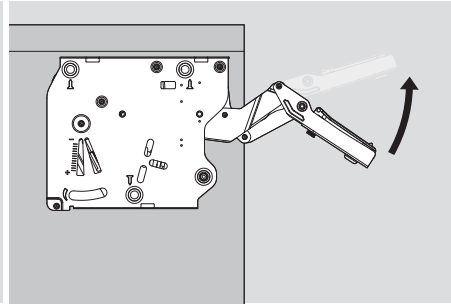
The following components are included in the push to open kit:

1x lift mechanism set	1x single caps set	1x front fixing-brackets set	2X Decoration cover for hinge arm	1X Insert-type Magnetic Push Latch	6x wooden screw Ø4X38mm	5x wooden screw Ø4X16mm

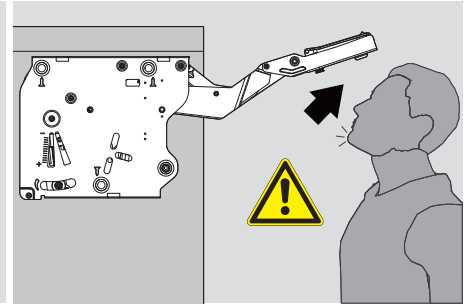
## Assembly



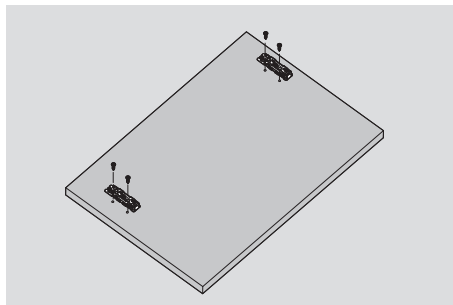
Assembly



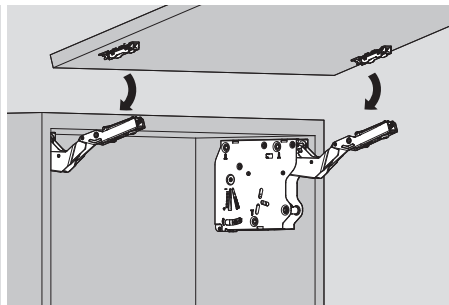
Caution when opening arm



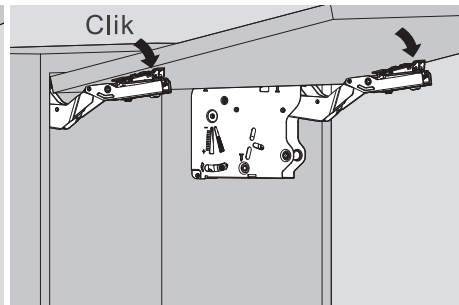
The arm of this device could spring up and cause injury. Do not push the arm down without door attached.



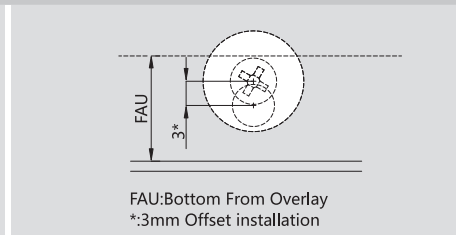
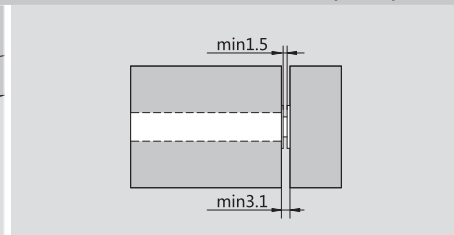
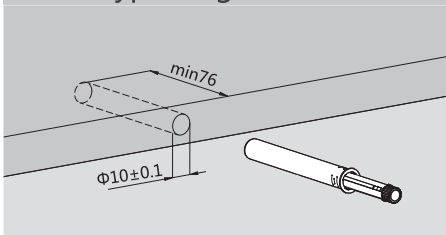
Panel Fastener Installation



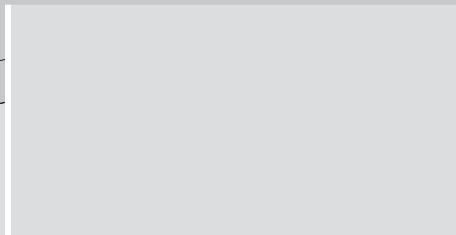
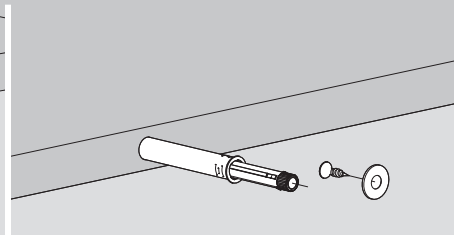
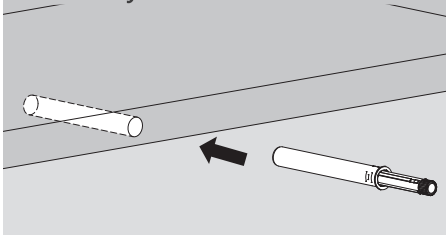
Door Assembly



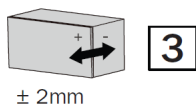
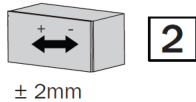
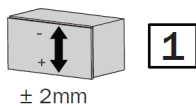
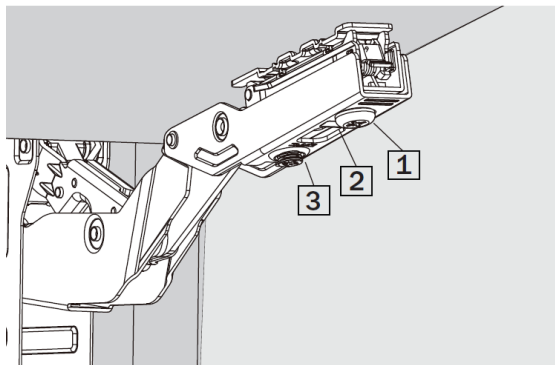
## Insert-type Magnetic Push Latch Installation Dimensions(mm)



## Assembly

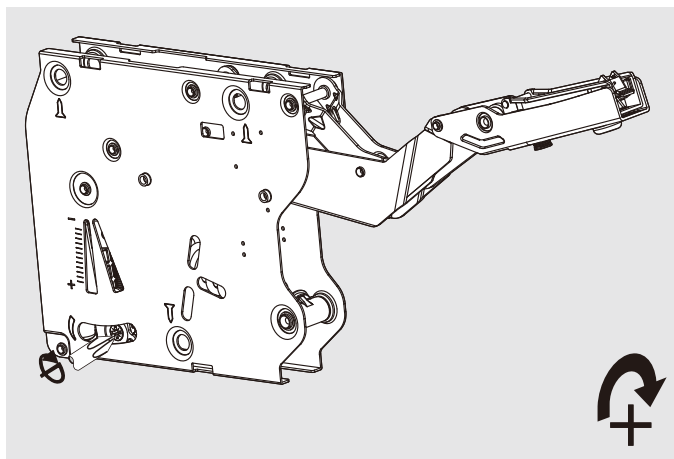
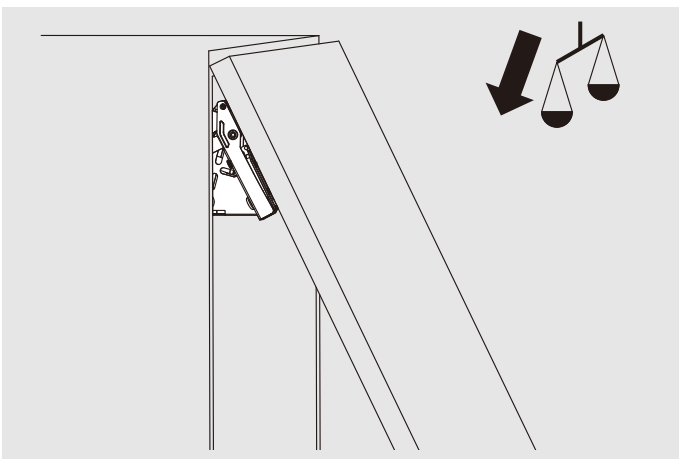


**DOOR POSITION ADJUSTMENT**

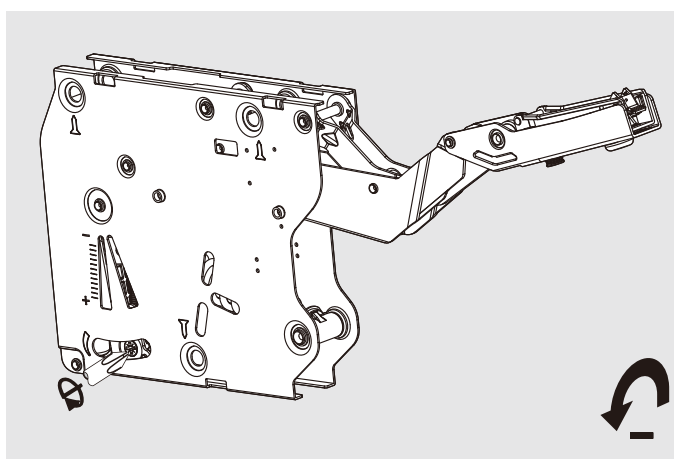
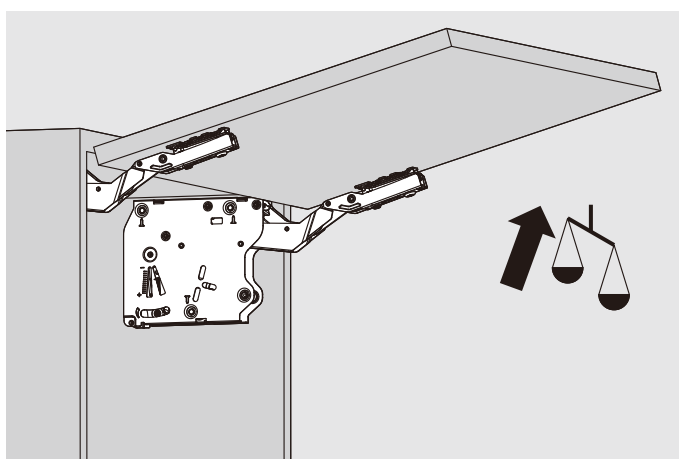


- 1. Height: Door Up and Down Adjustment
- 2. Side: Door Left and Right Adjustment
- 3. Depth: Door In and Out Adjustment

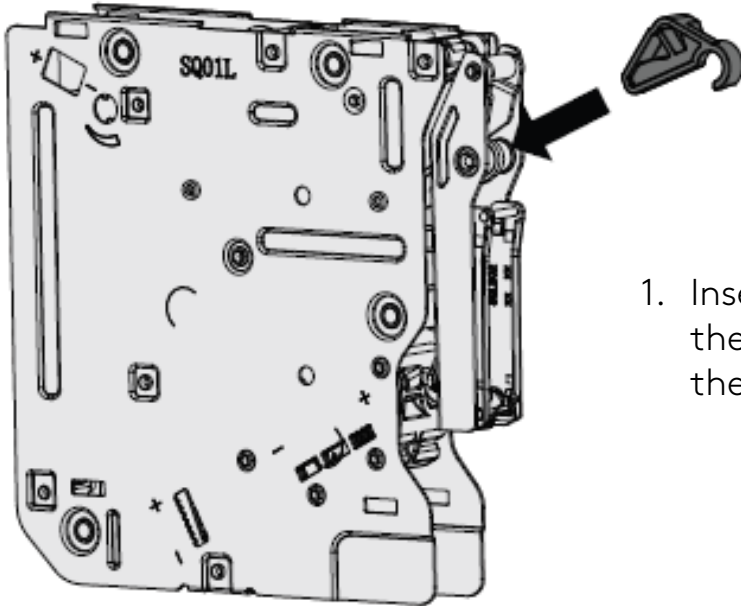
**HOVERING ADJUSTMENT**



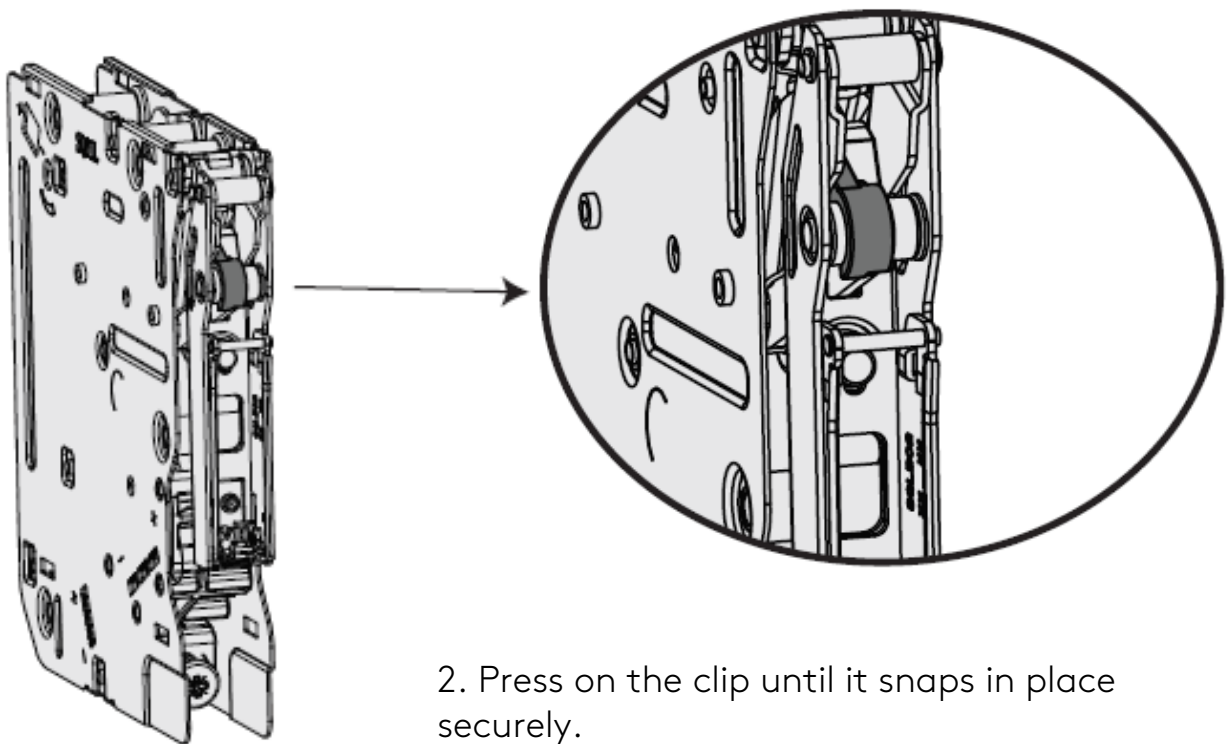
For taller or heavier doors, increase the door opening angle by tuning the adjustment in a clockwise direction to increase the stop angle position.



For shorter or lighter doors, decrease the door opening angle by tuning the adjustment in a counter-clockwise direction to decrease the stop angle position.



1. Insert the angle restriction clip into the bottom of the lift arm above the large cylinder.



2. Press on the clip until it snaps in place securely.