

nikpol™

Swing Out Pantry Unit

Installation Instruction

Characteristics

- Pull-out frame
- Fitted for 120° door opening
- 70kg load capacity
- Reversible
- Melamine background and aluminium profile baskets
- Quick release mechanism
- 600mm module



nikpol™

Swing Out Pantry Unit

Installation Instruction

Frame

Code	Dimensions	Module
VIBO074476	w535 x d489 x h1675mm	600mm

Baskets

Code	Dimensions	Type
VIBO075565*	w50 x d269 x h96mm	Internal
VIBO075558*	w50 x d150 x h96mm	Door

* comes with 2 baskets

Requirements



35 mins



Phillips Head

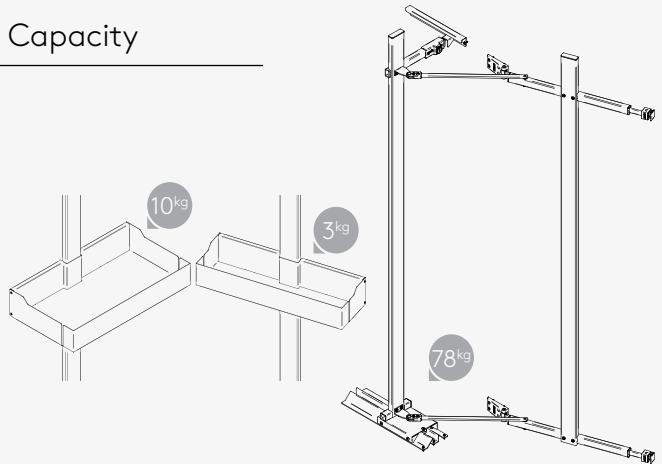


1 worker

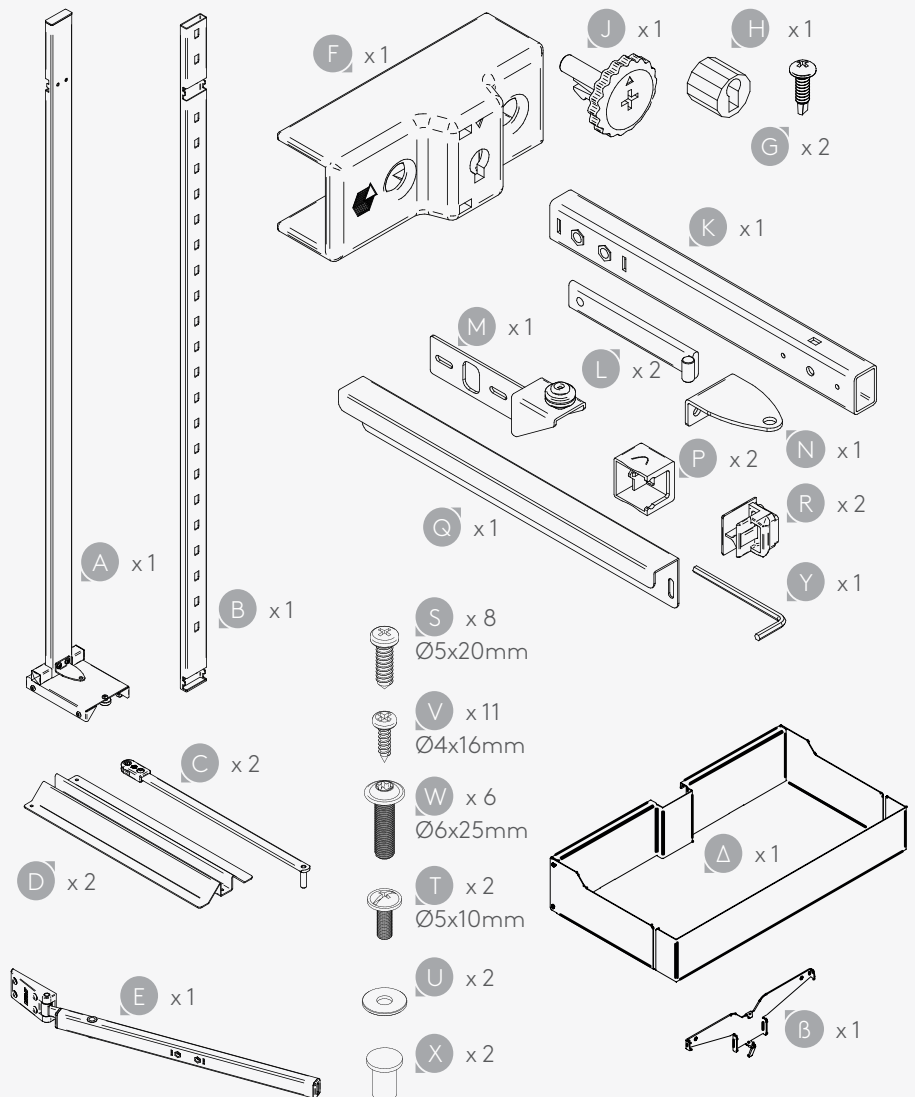
Shelf Loading Capacity



78kg
Maximum
Overall Load



Parts

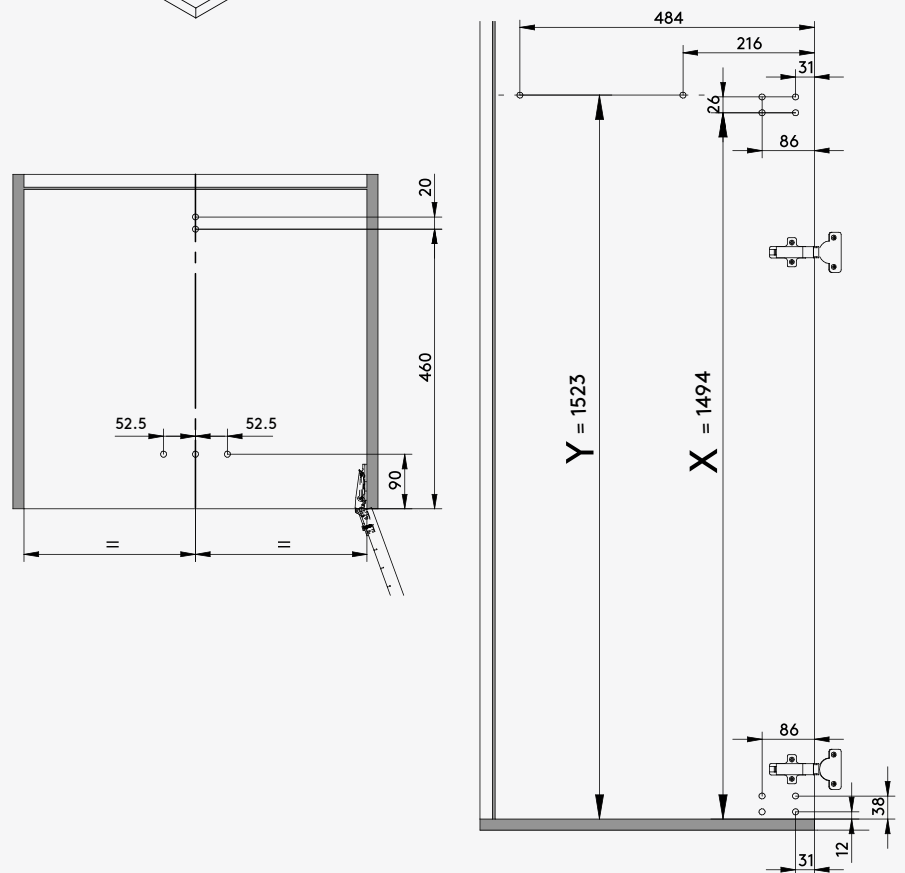
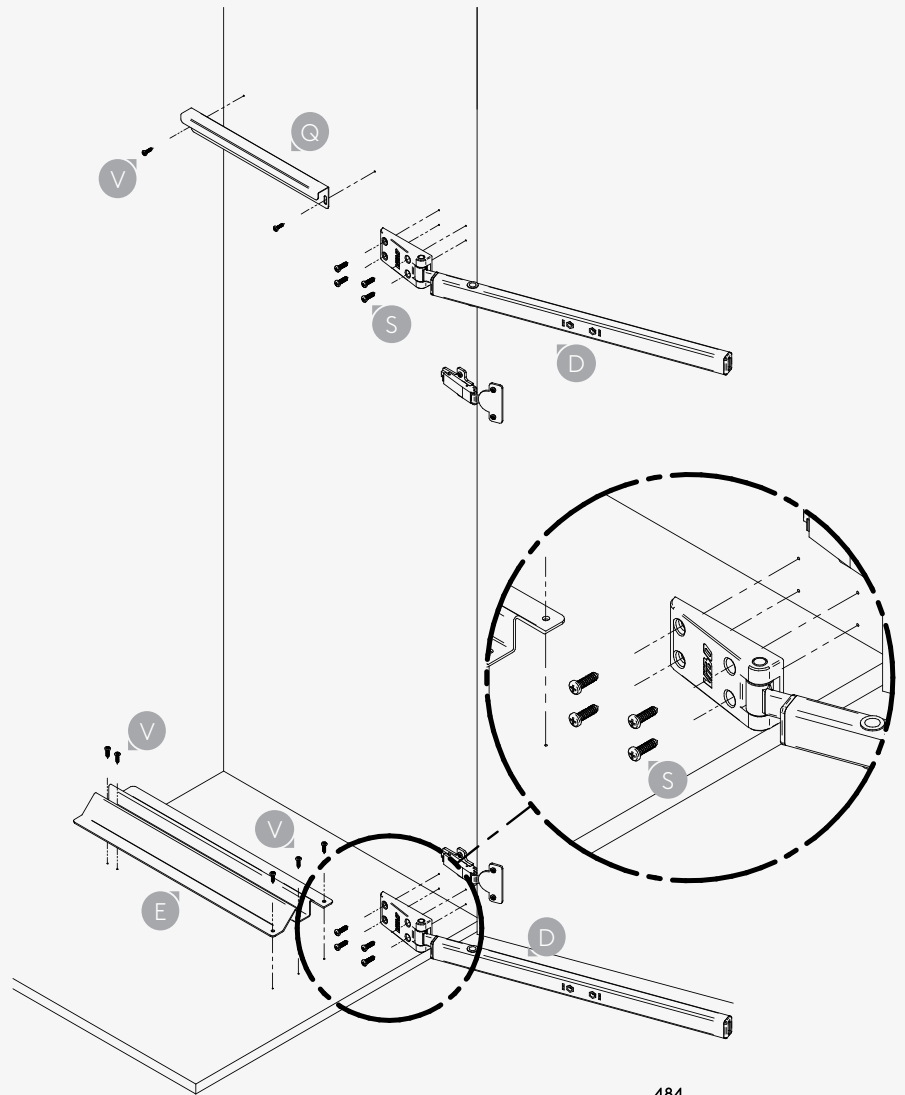


nikpol™

Swing Out Pantry Unit

Installation Instruction

Assembly: Step 1

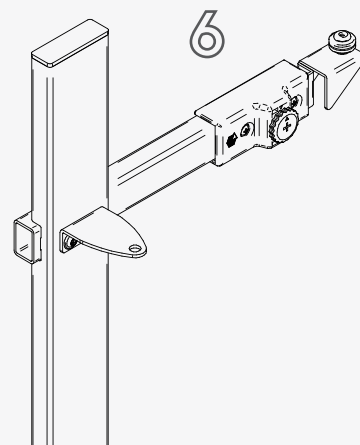
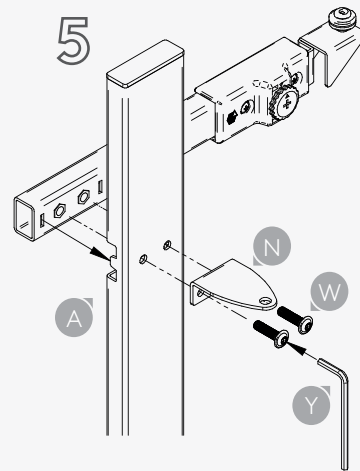
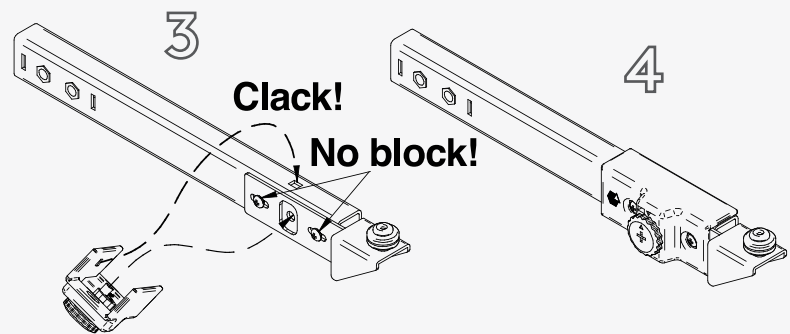
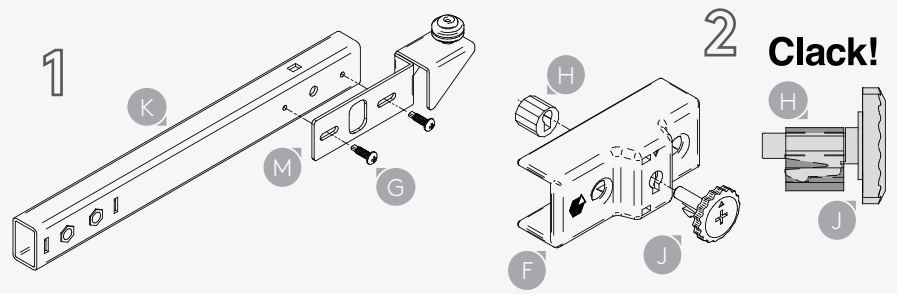


nikpol™

Swing Out Pantry Unit

Installation Instruction

Assembly: Step 2



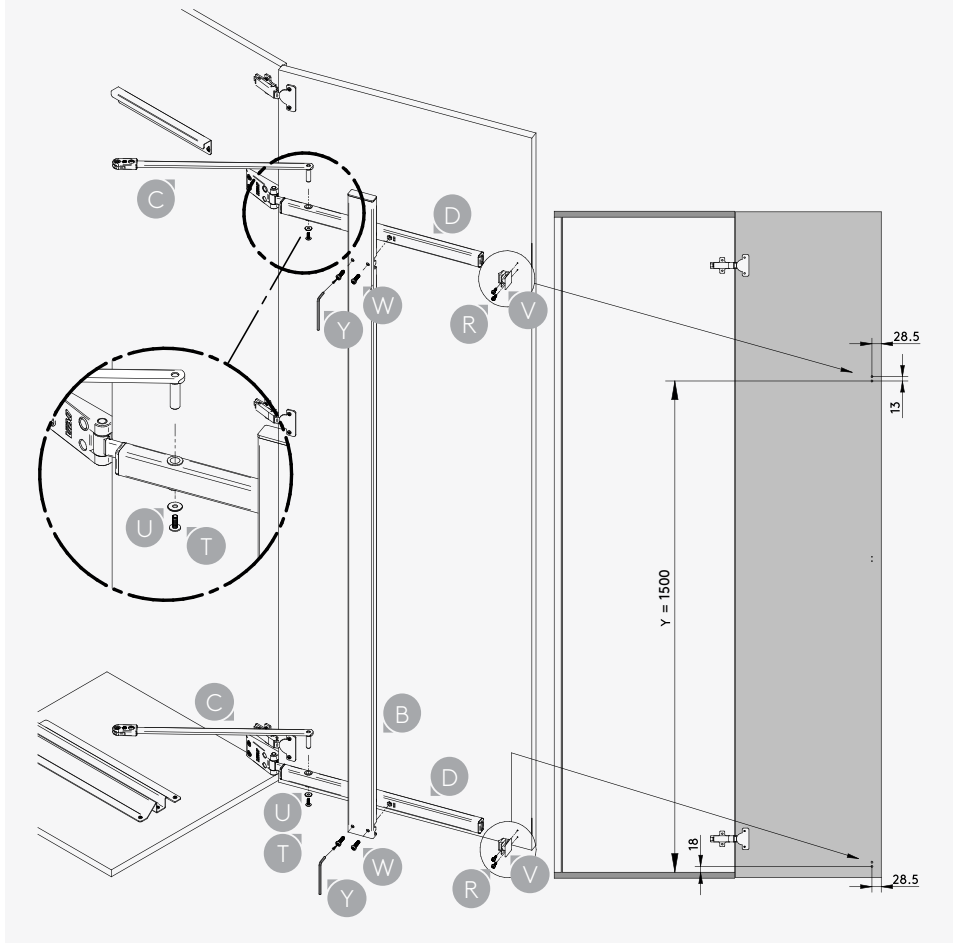
7

nikpol™

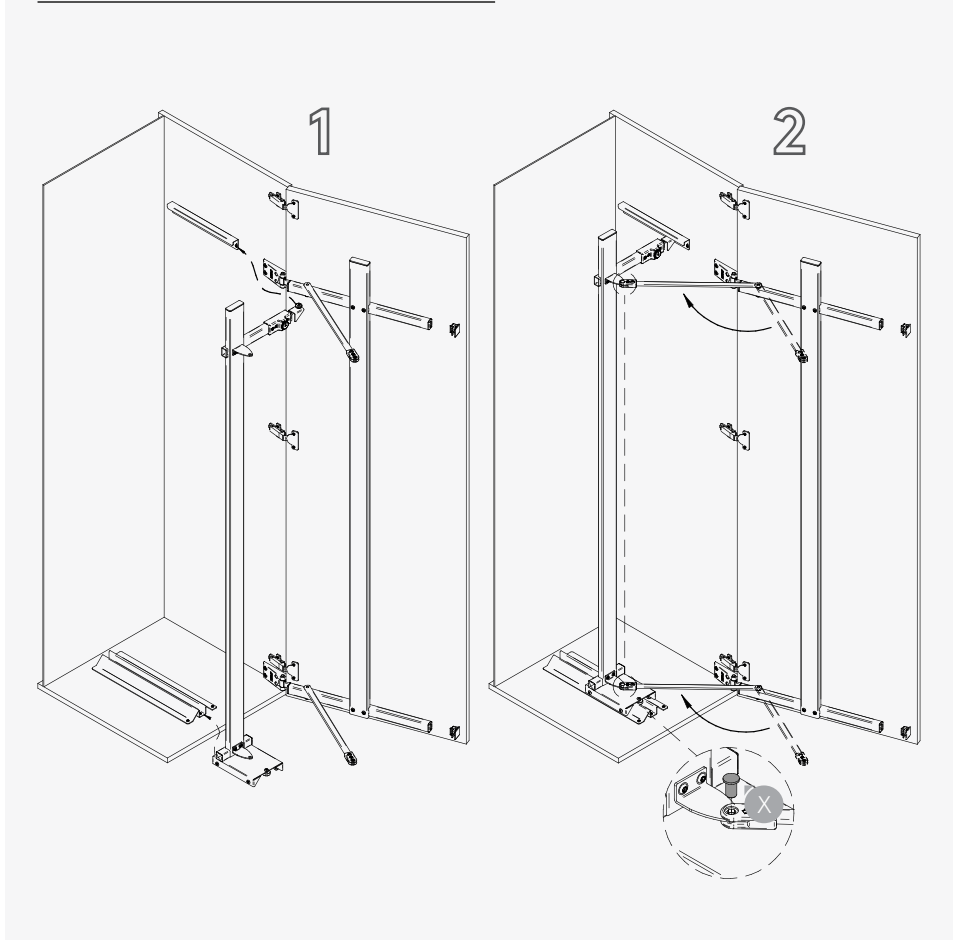
Swing Out Pantry Unit

Installation Instruction

Assembly: Step 3



Assembly: Step 4

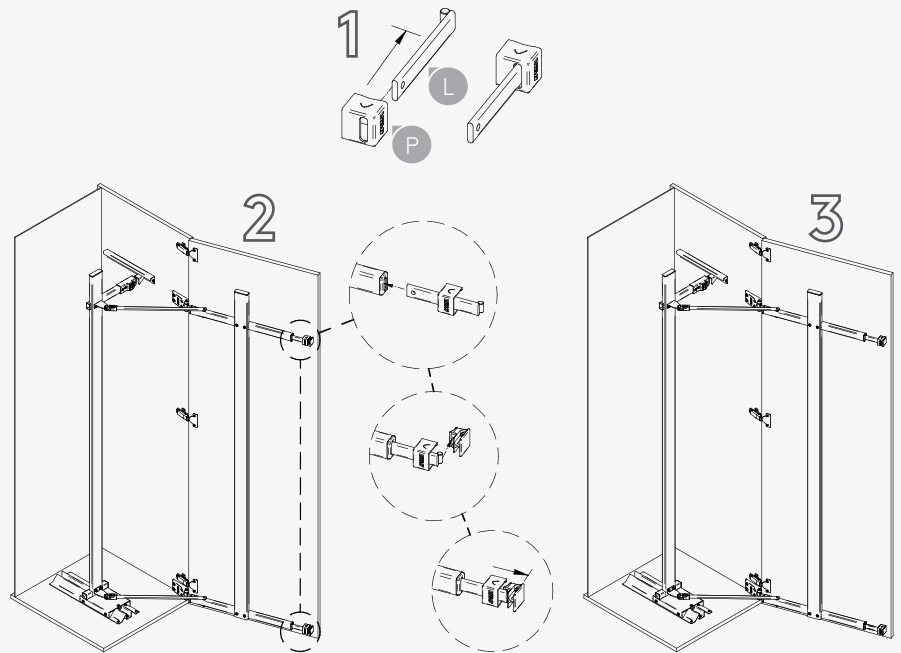


nikpol™

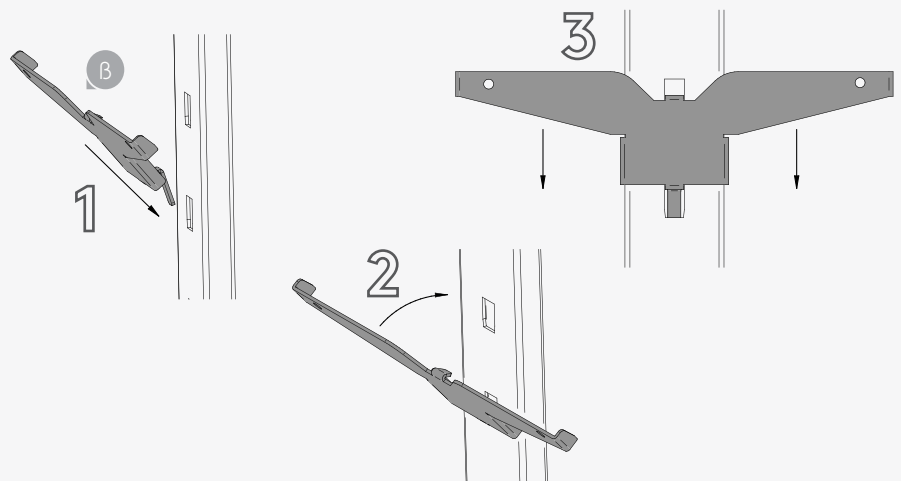
Swing Out Pantry Unit

Installation Instruction

Assembly: Step 5



Assembly: Step 6



Assembly: Step 7

