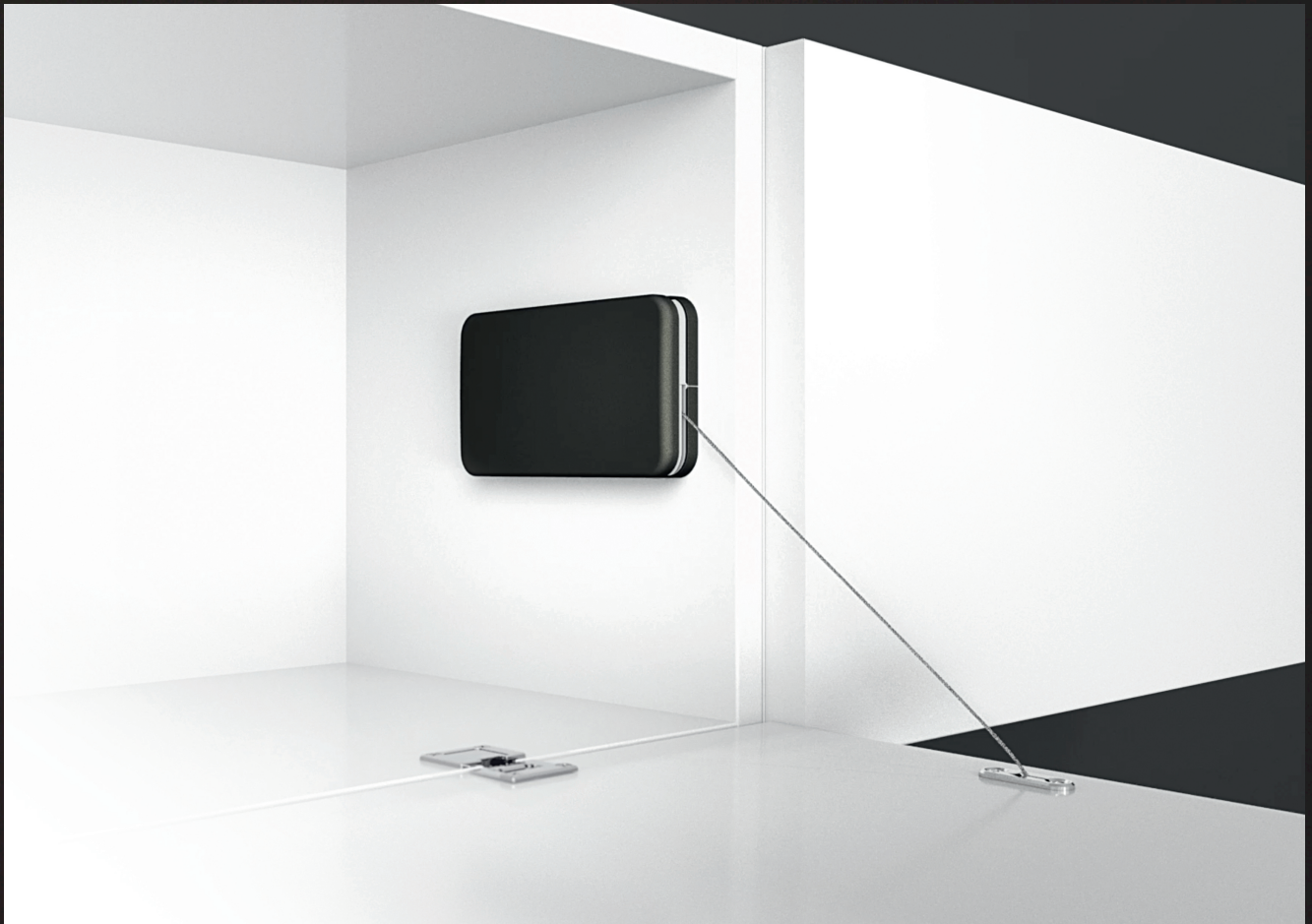
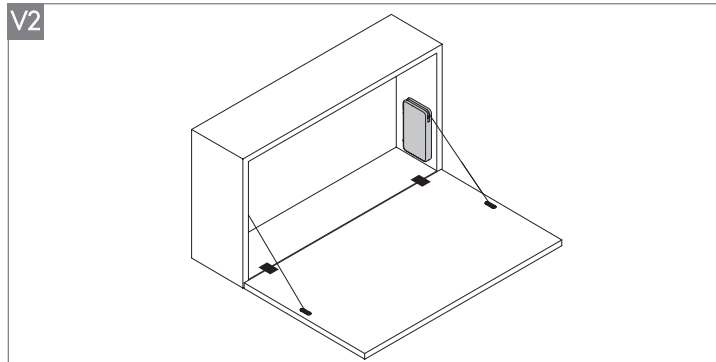
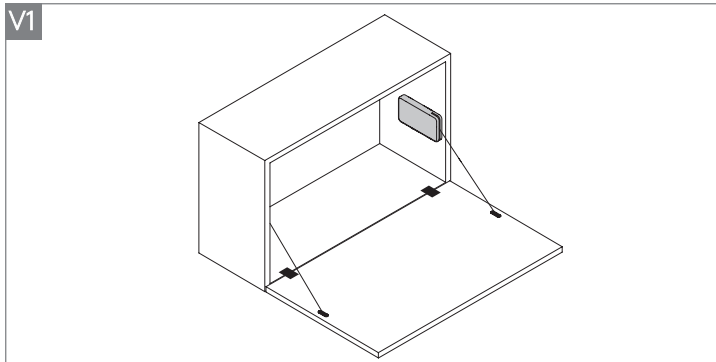


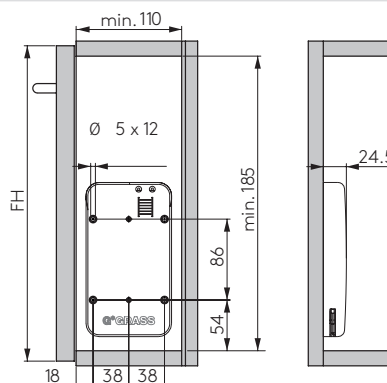
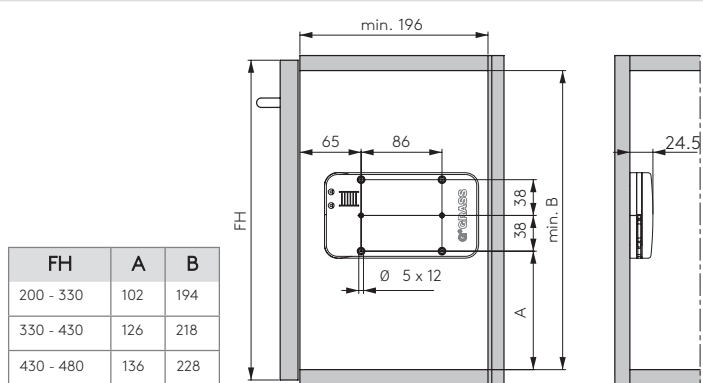
nikpol™



KINVARO D-M

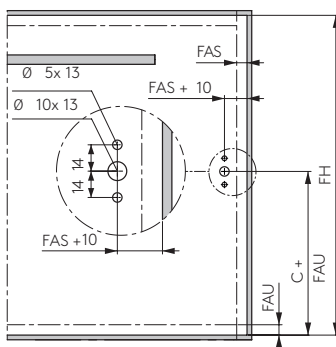


Side panel drilling



Door drilling

FH	C (V1)	C (V2)
200 - 330	137	161
330 - 430	161	161
430 - 480	171	161



Door weight tables

V1	Spring							
	60N		100N		160N		200N	
FH	Kinvaro D x1	Kinvaro D x2	Kinvaro D x1	Kinvaro D x2	Kinvaro D x1	Kinvaro D x2	Kinvaro D x1	Kinvaro D x2
200-230	4-4.8	-	4.2-6.2	-	5.8-8	-	7.2-10.4	-
230-270	3-4.4	6-8.4	3.6-5.2	6.8-9.6	5.2-7	-	6.8-8.6	-
270-330	2.9-3.8	5.6-7.8	3-4.6	6.4-8.8	4.6-6	8.6-11.8	6.4-7.8	-
330-380	2.7-3.7	5-8	3.2-4.3	6.5-8.5	4.3-5.7	8.7-11.1	5.5-7.1	11.9-13.5
380-430	2.9-3.6	4.5-6.1	3.1-3.9	5.7-7.3	4.5-6.1	8.5-10.1	5.4-6.9	10.9-12.6
430-460	2.7-3.1	4.3-6.1	2.7-3.9	5.9-8.3	4.1-4.9	8.3-9.5	5.3-5.7	10.1-11.5
460-480	2.5-2.9	4.1-5.7	2.8-3.8	5.3-7.7	3.8-4.8	7.2-9.6	5.4-5.6	9.8-11.4

V2	Spring							
	60N		100N		160N		200N	
FH	Kinvaro D x1	Kinvaro D x2	Kinvaro D x1	Kinvaro D x2	Kinvaro D x1	Kinvaro D x2	Kinvaro D x1	Kinvaro D x2
200-230	4.1-5.9	-	5.3-7.3	-	-	-	-	-
230-270	3.3-4.8	6.8-9.6	4.2-6	9.6-12.8	-	-	-	-
270-330	3.2-4.5	6.3-8.1	3.8-5.1	7.9-11.1	5.3-6.5	10.7-12.9	-	-
330-380	2.6-3.4	5-6.5	3.3-4.5	7.3-8.5	4.8-5.6	9.8-11.4	6.7-7.3	11.8-13
380-430	2.5-3.4	5-6.2	3.2-4.2	6.2-8.2	6.1-8	9-10.4	5.9-6.6	13.3-14.9
430-460	2.3-3	4.6-6.2	3-3.8	6.2-7.8	4.6-5.4	12.9-15.5	5.6-6	11.4-12.2
460-480	2.4-3.2	4.6-6	2.8-4	5.6-7.8	4.5-5.4	8.8-10.4	5.4-6	10.8-11.6



The weight and the position of the handle may influence the performance of the mechanism.

