

# nikpol™

## Maxi Larder

### Installation Instruction

#### Characteristics

- Adjustable frame height
- Full extension roller slides
- 120kg load capacity
- Soft closing
- Melamine background and aluminium profile baskets
- Quick release mechanism
- 600mm module



# nikpol™

## Maxi Larder

### Installation Instruction

#### Frame

Code: VIBO111775  
 Dimensions: 1400 x d488 x h1845

#### Baskets

Code: VIBO113618  
 Dimensions: 1477 x d407 x h117

### Requirements



35 mins



Phillips Head

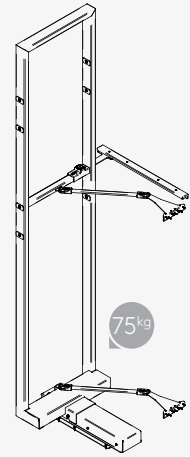
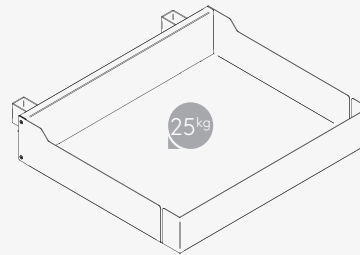


1 worker

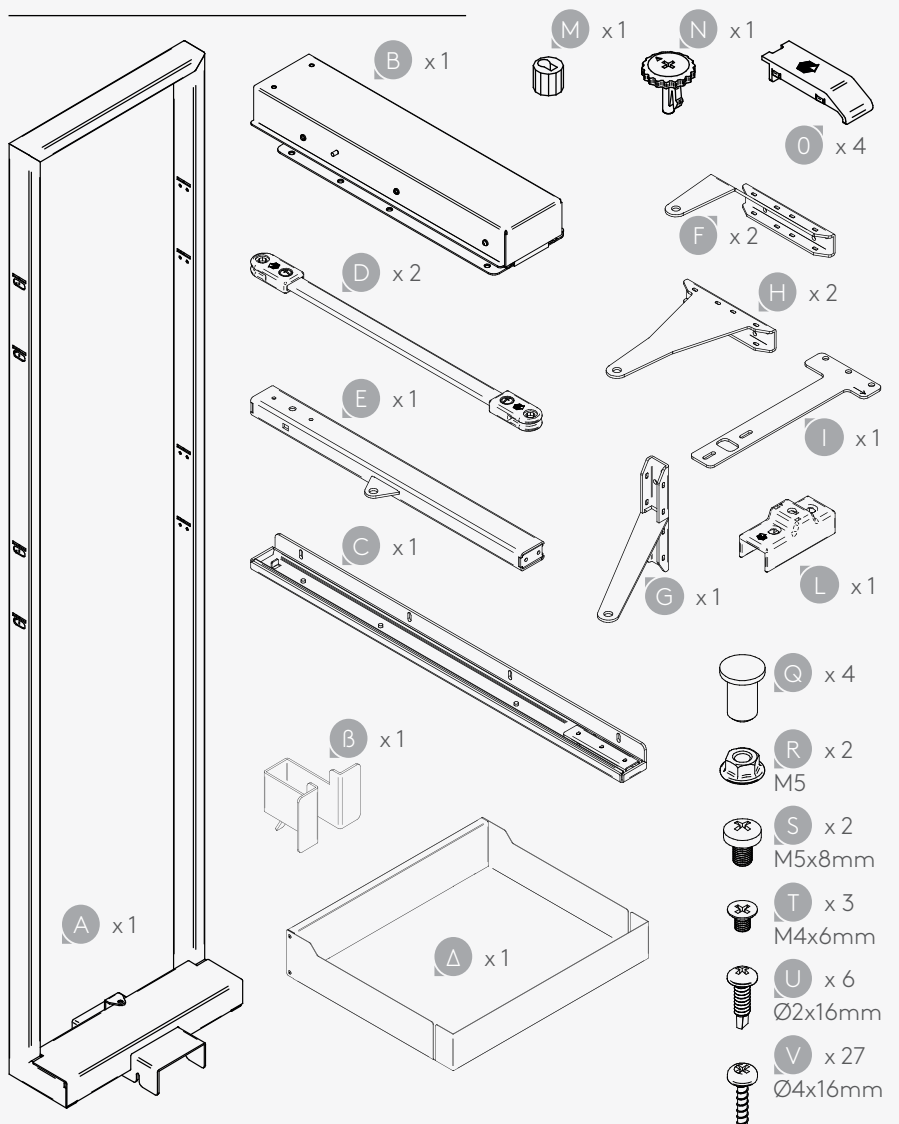
### Shelf Loading Capacity



75kg  
 Maximum  
 Overall Load



### Parts

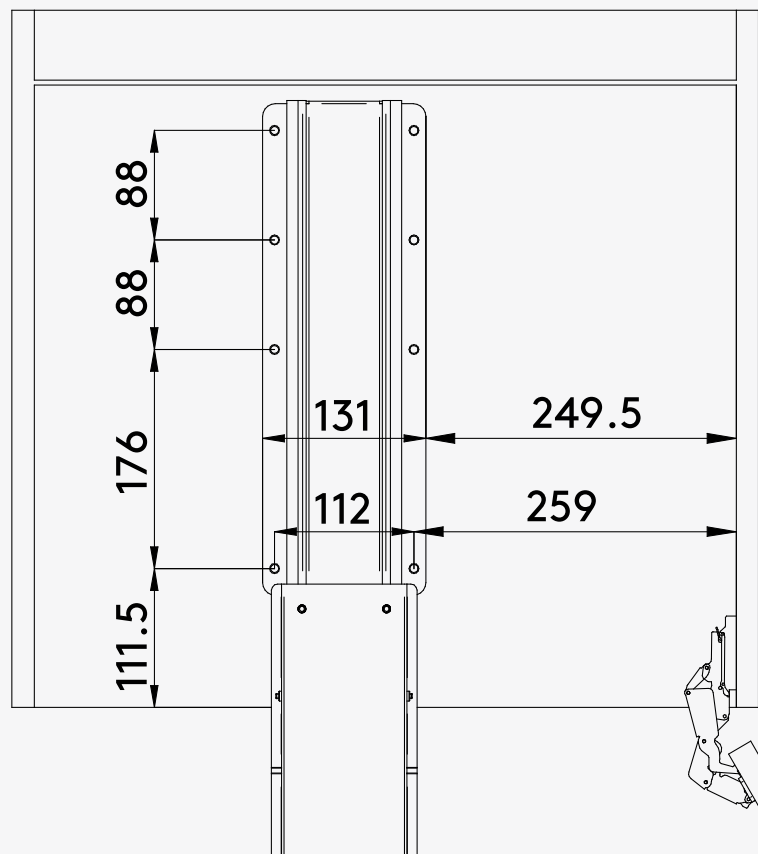
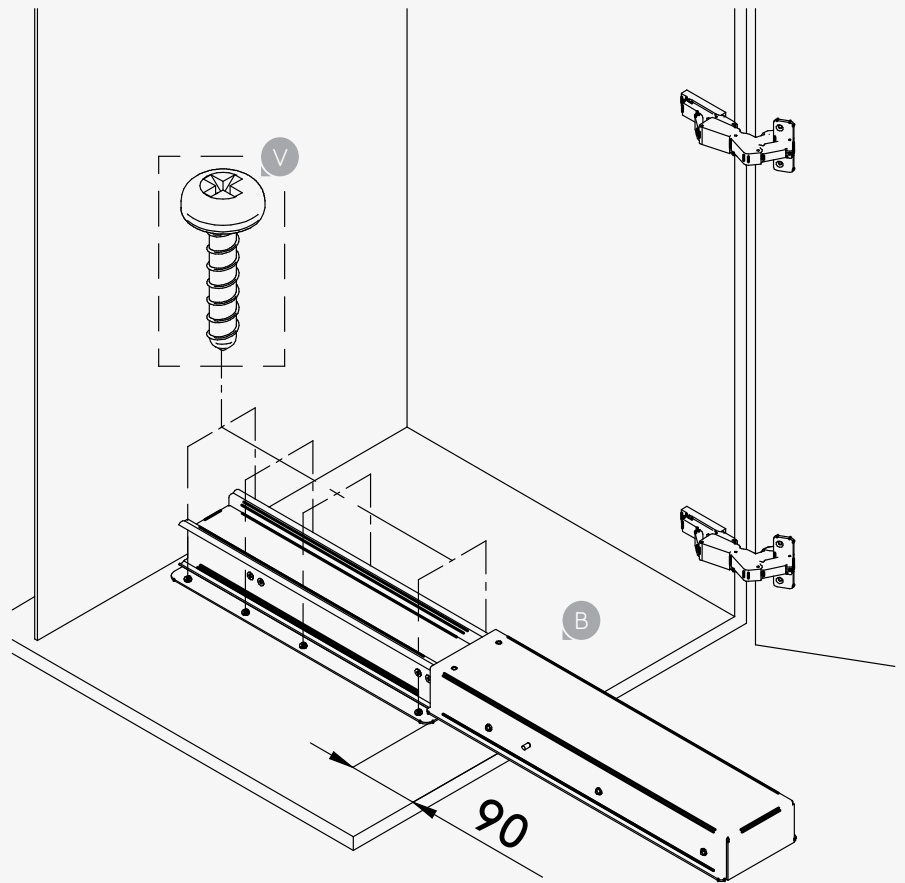


**nikpol**<sup>TM</sup>

# Maxi Larder

## Installation Instruction

Assembly: Step 1

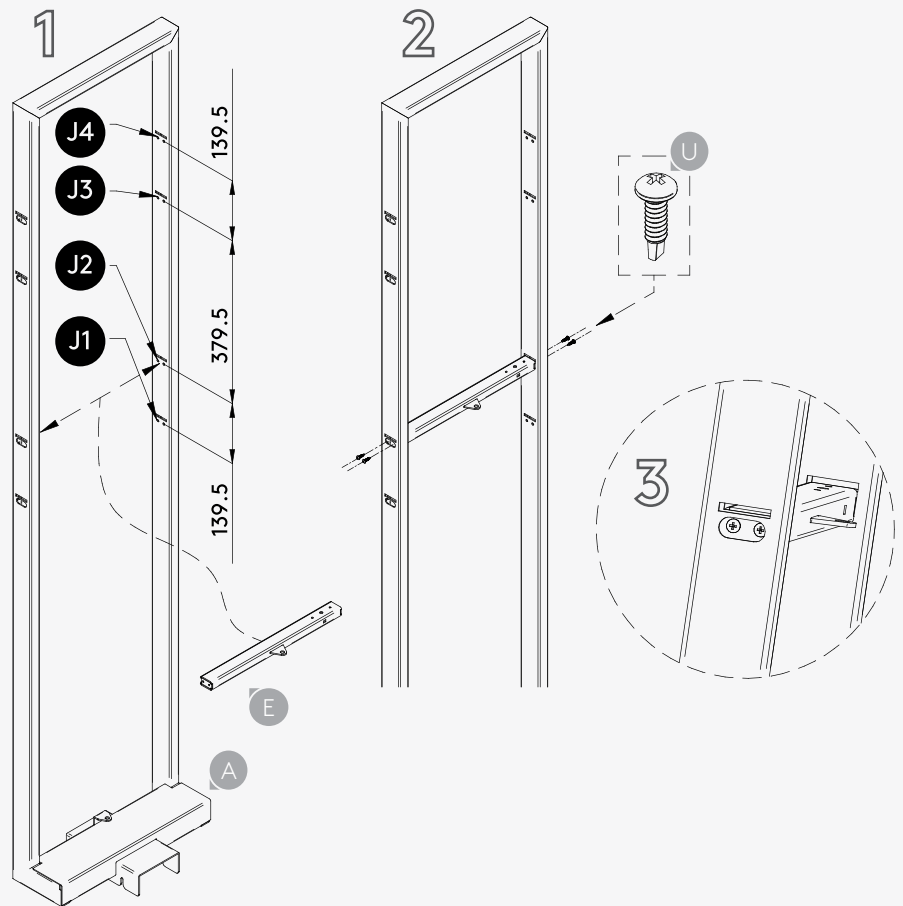


# nikpol™

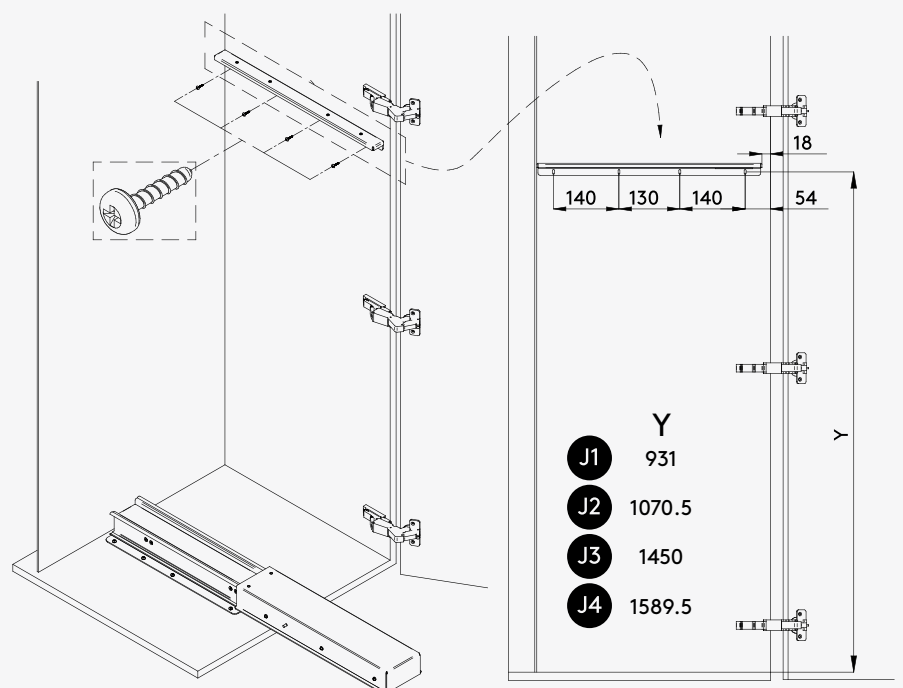
## Maxi Larder

Installation Instruction

### Assembly: Step 2



### Assembly: Step 3

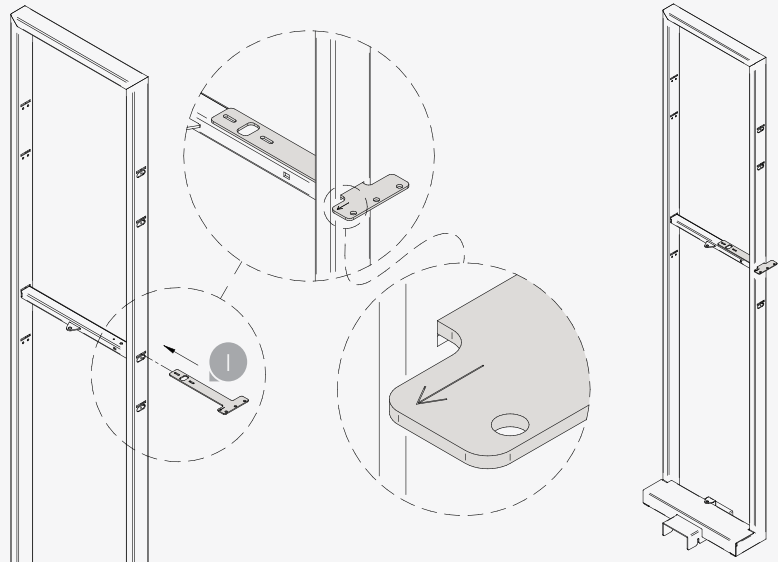


# nikpol™

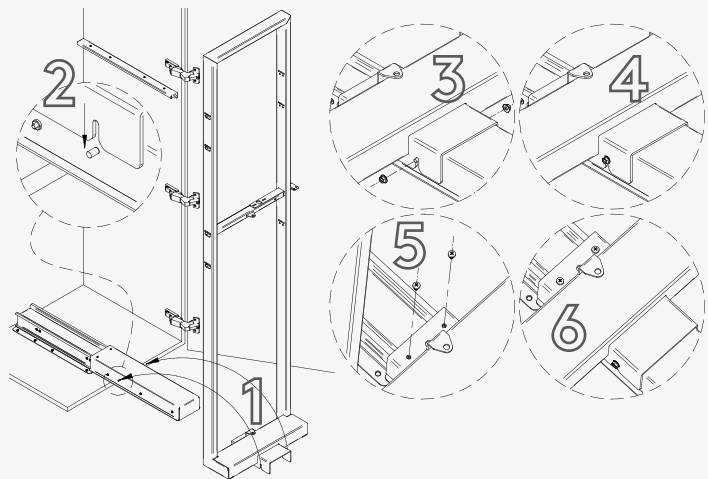
## Maxi Larder

### Installation Instruction

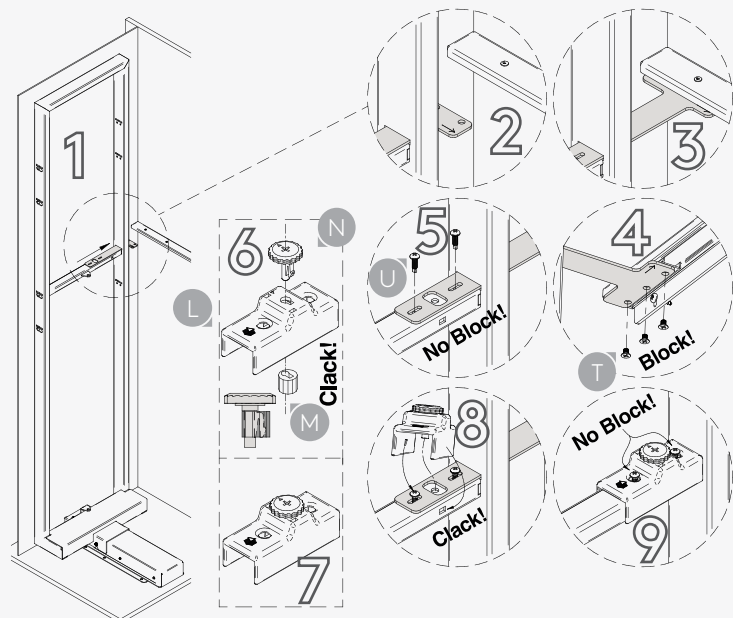
#### Assembly: Step 4



#### Assembly: Step 5



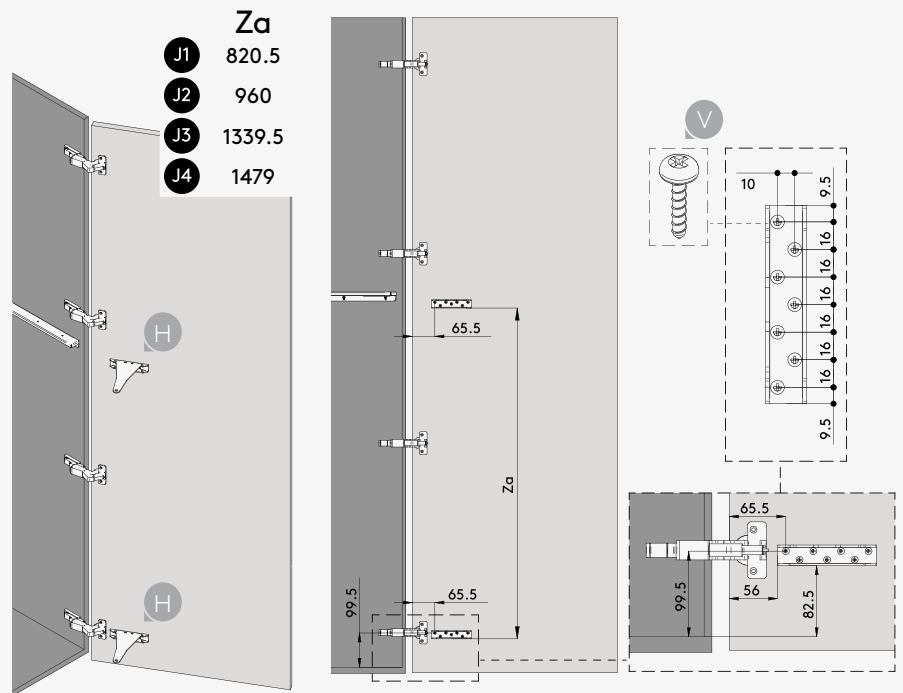
#### Assembly: Step 6



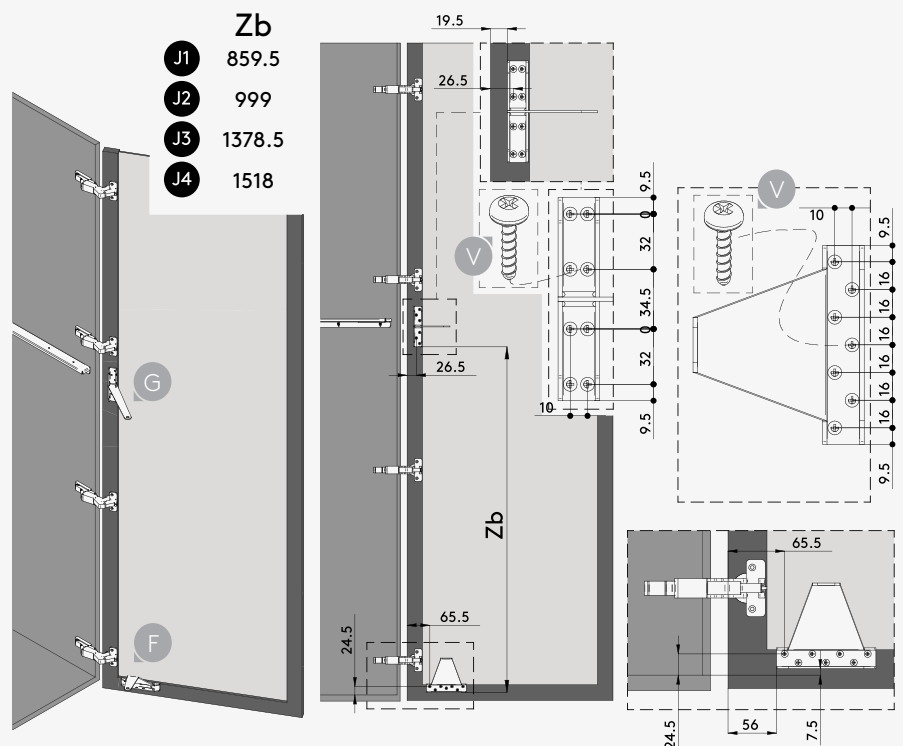
## Maxi Larder

### Installation Instruction

#### Assembly: Step 7a



#### Assembly: Step 7b

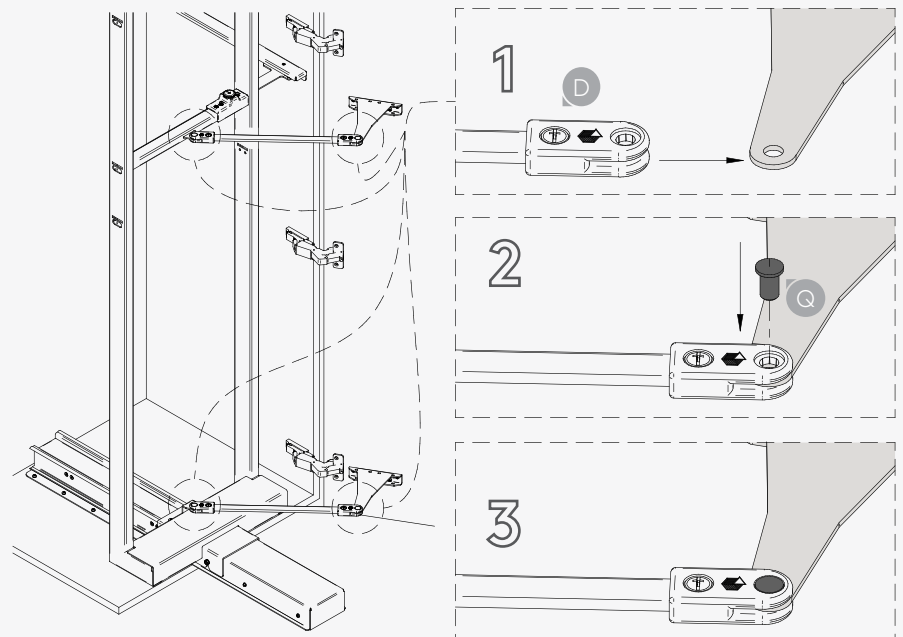


# nikpol™

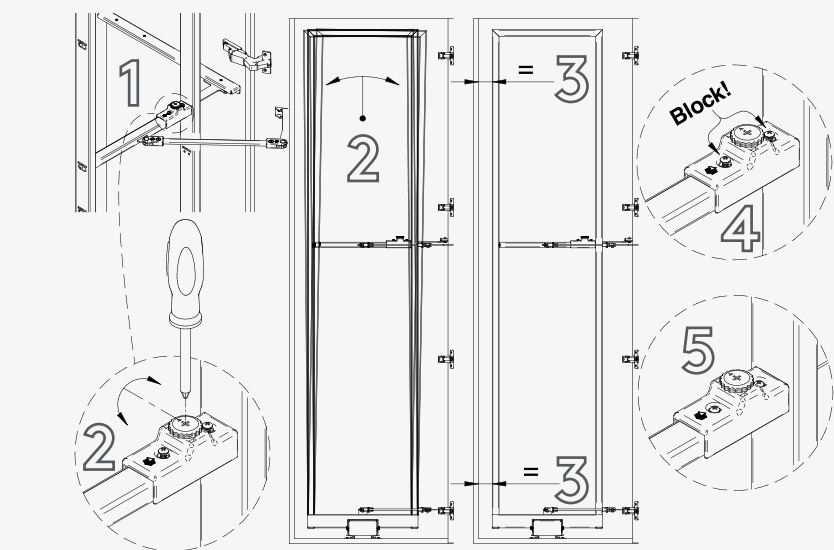
## Maxi Larder

### Installation Instruction

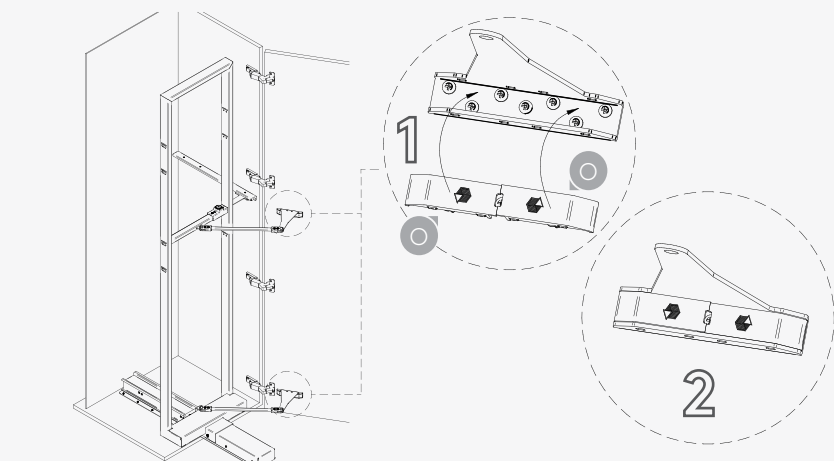
#### Assembly: Step 8



#### Assembly: Step 9



#### Assembly: Step 10

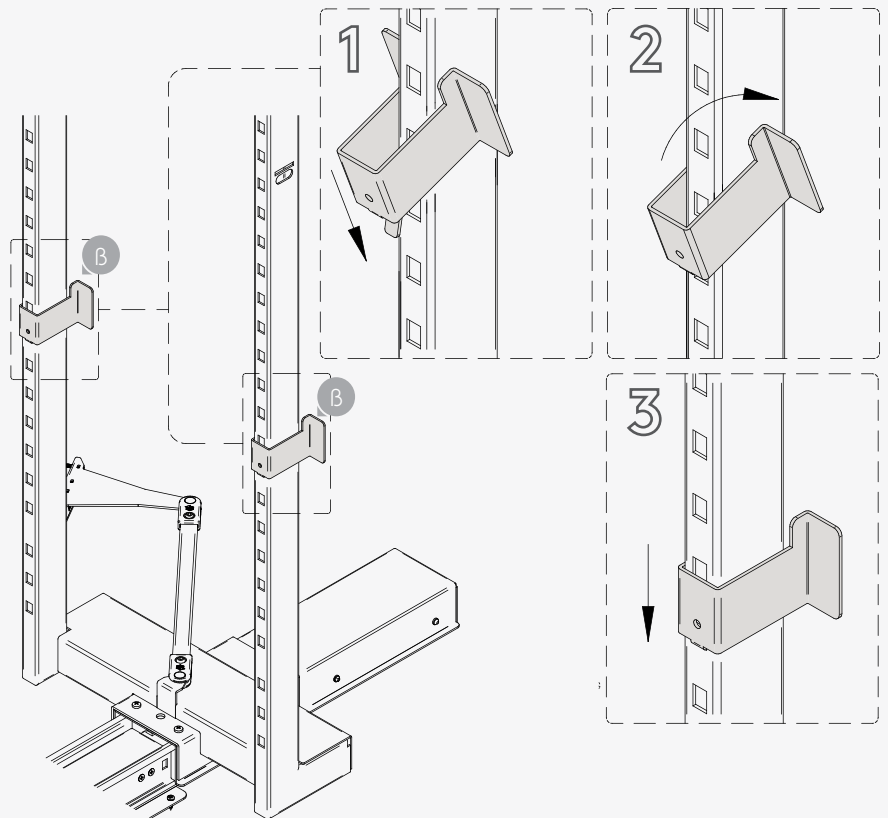


nikpol™

## Maxi Larder

### Installation Instruction

#### Assembly: Step 11



#### Assembly: Step 12

