

nikpol™

Fly Moon

Installation Instruction

Characteristics

- Adjustable in height, 655-705 mm
- Prepared for 2 shelving tiers
- Reversible
- 450 and 500mm module



Fly Moon Frame

Installation Instruction

Frame

| Code | Mechanism | Height | Door |
|------------|-----------|--------------------|---------|
| VIBO075459 | Left | 680 ⁺²⁵ | 450/500 |
| VIBO075442 | Right | 680 ⁺²⁵ | 450/500 |

Requirements



20 mins



Phillips Head



1 worker

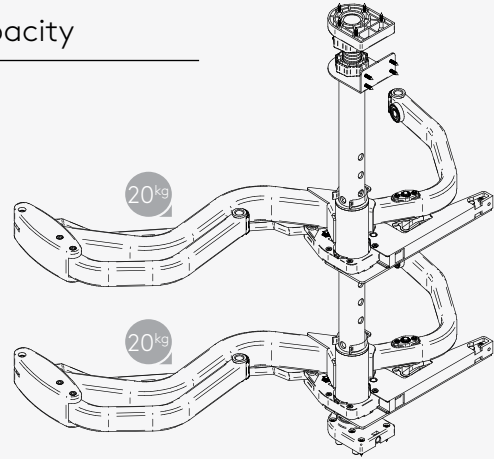


10mm drill bit

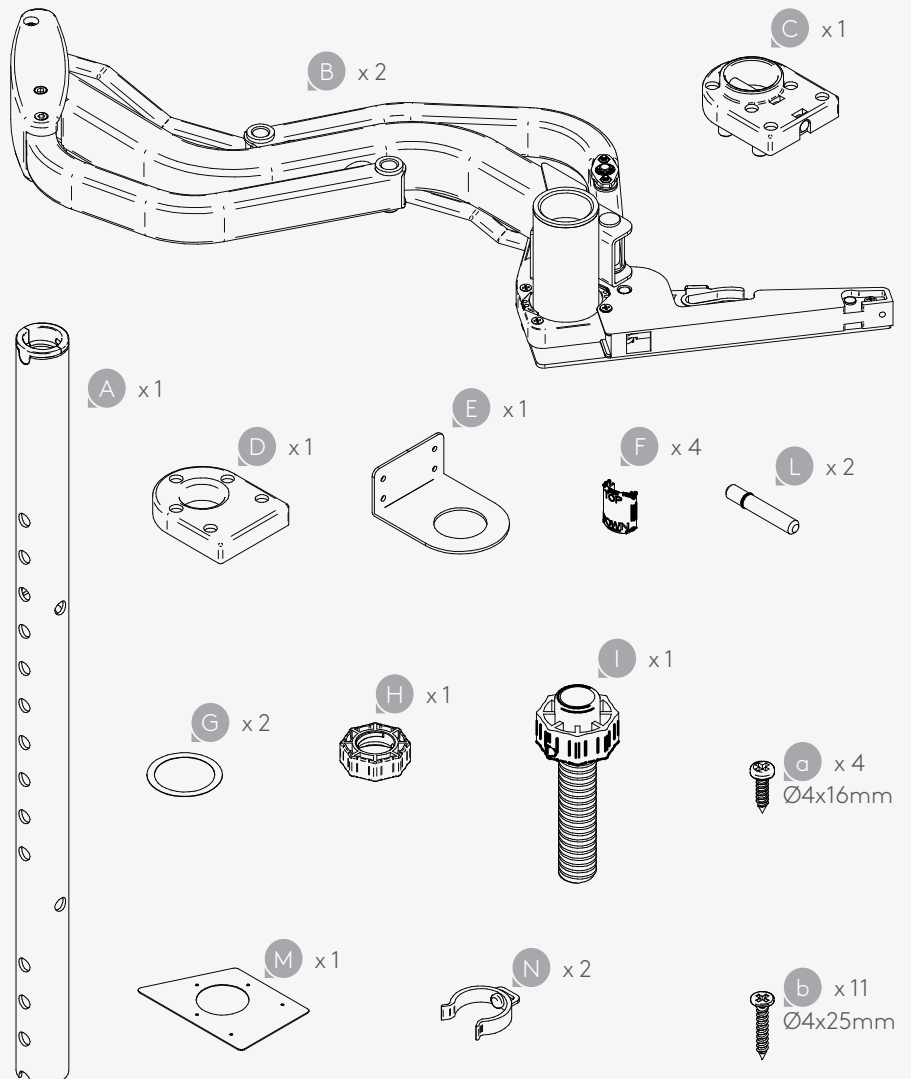
Shelf Loading Capacity



40kg
Maximum
Overall Load



Parts: Left Frame

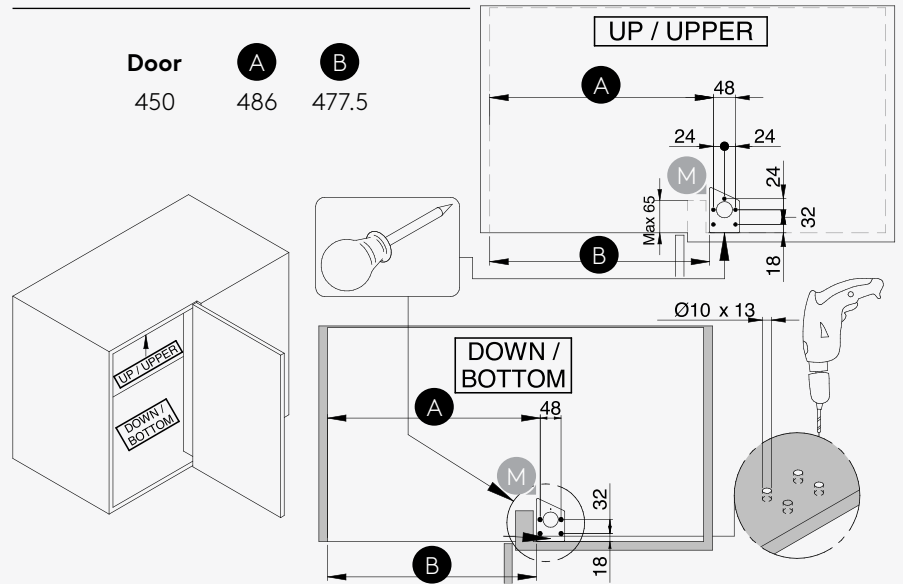


nikpol™

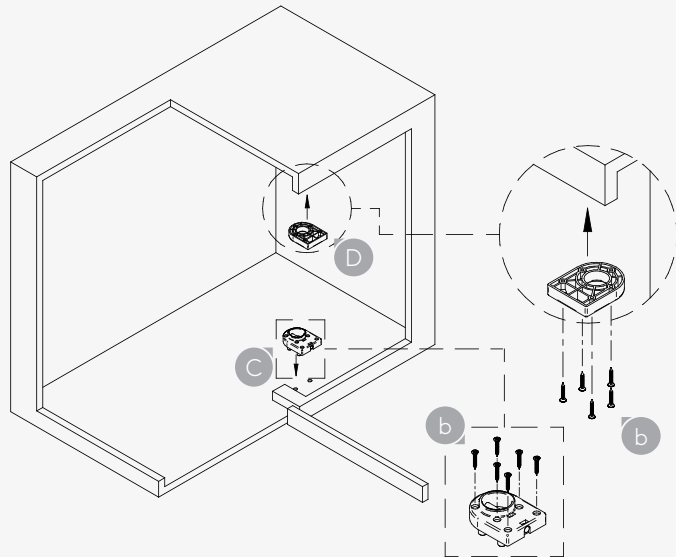
Fly Box Frame

Installation Instruction

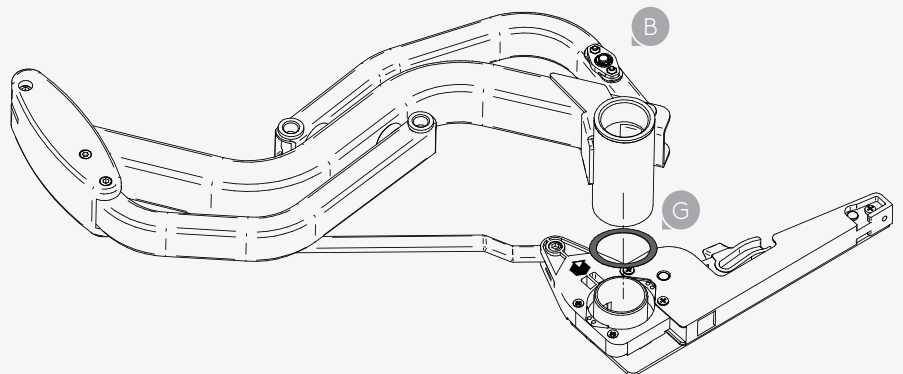
Left Side Assembly: Step 1



Left Side Assembly: Step 2



Left Side Assembly: Step 3

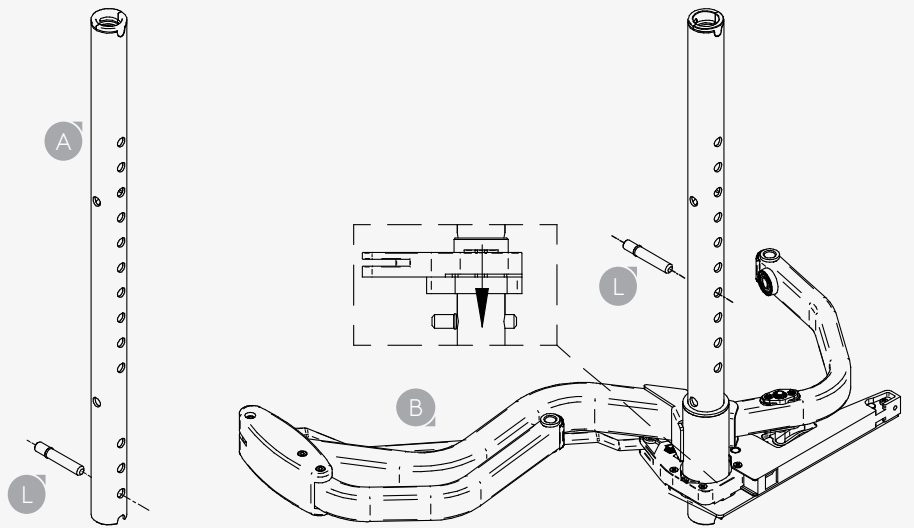


nikpol™

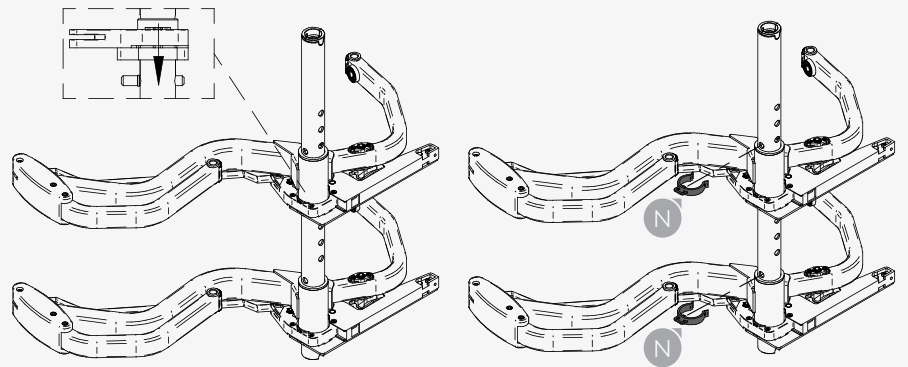
Fly Box Frame

Installation Instruction

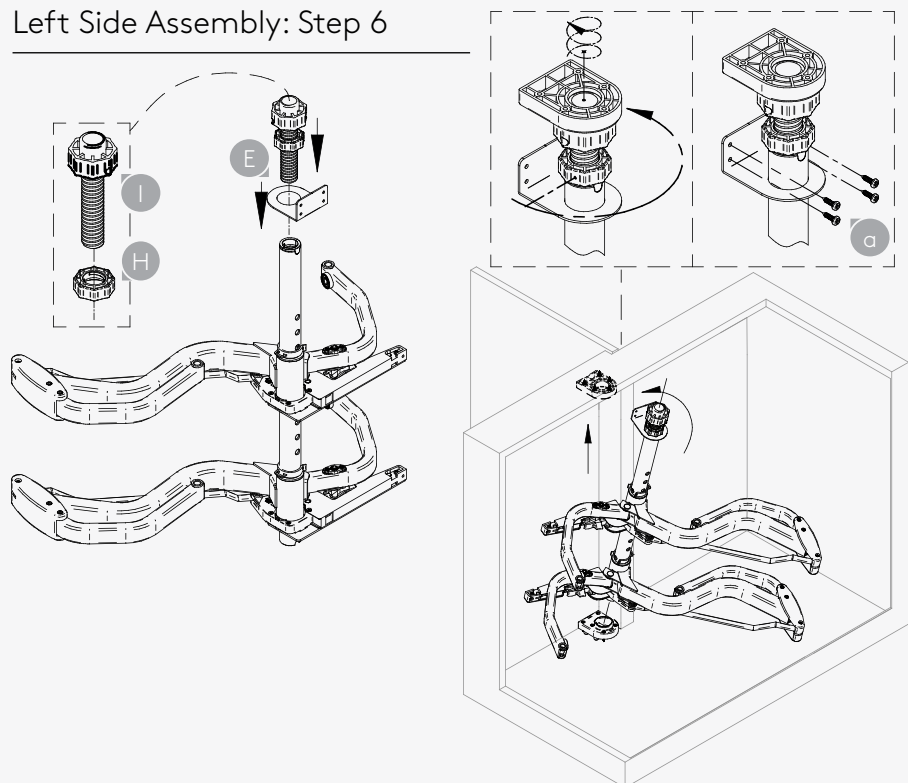
Left Side Assembly: Step 4



Left Side Assembly: Step 5



Left Side Assembly: Step 6

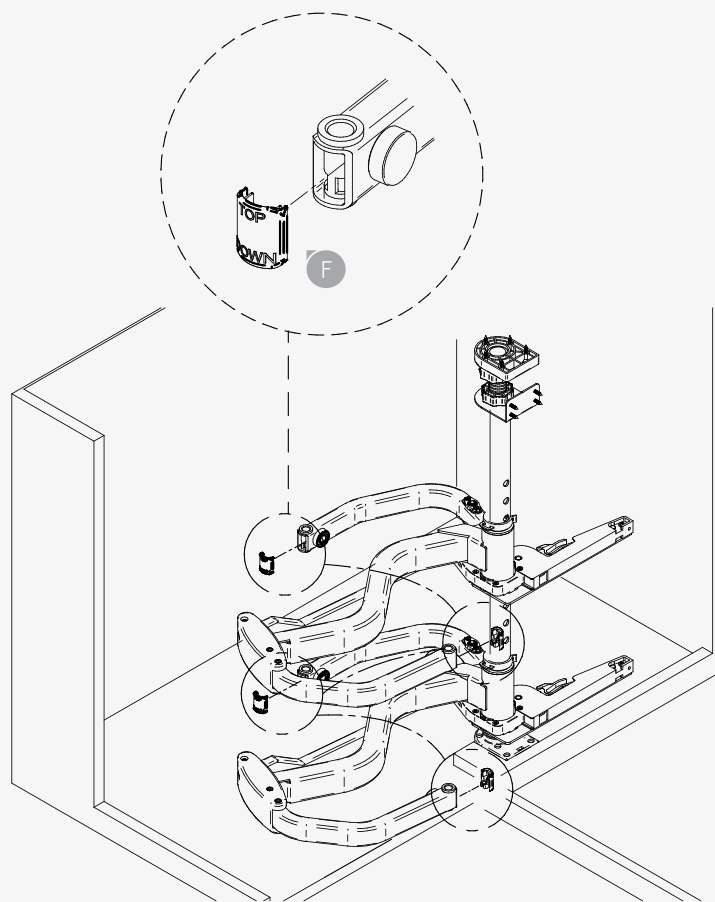


nikpolTM

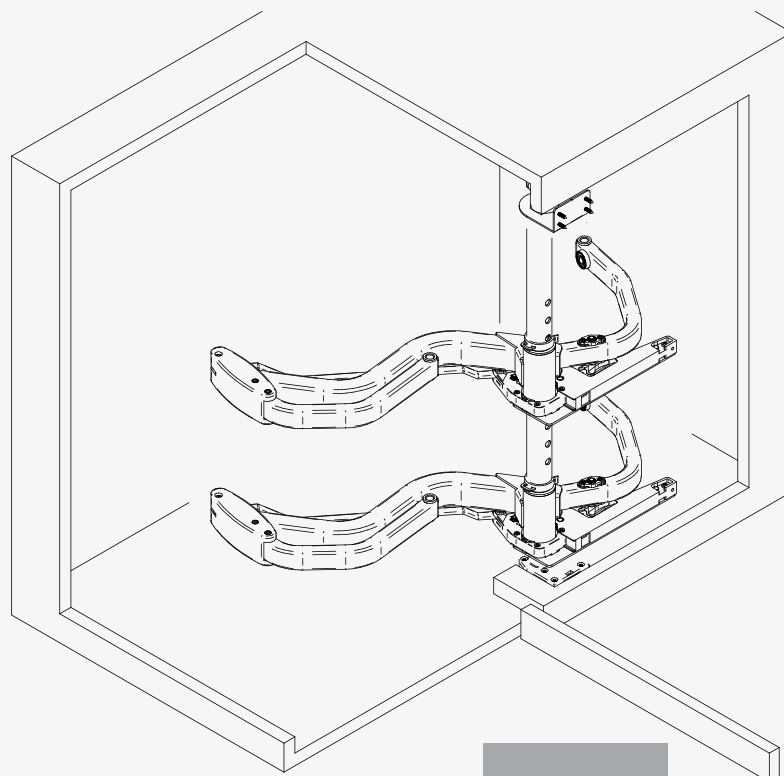
Fly Moon

Installation Instruction

Left Side Assembly: Step 7



Left Side Assembly: Step 8



Skip to
page 10

Fly Moon Frame

Installation Instruction

Frame

| Code | Mechanism | Height | Door |
|------------|-----------|--------------------|---------|
| VIBO075459 | Left | 680 ⁺²⁵ | 450/500 |
| VIBO075442 | Right | 680 ⁺²⁵ | 450/500 |

Requirements



20 mins



Phillips Head



1 worker

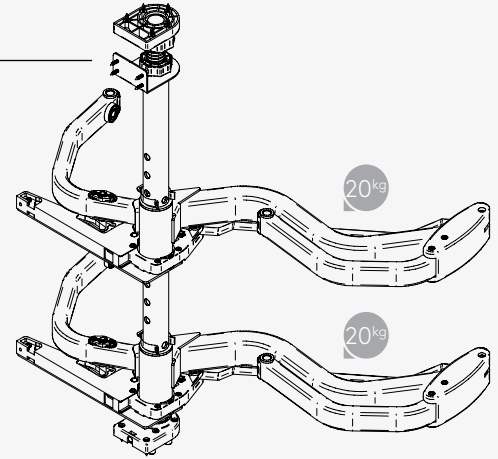


10mm drill bit

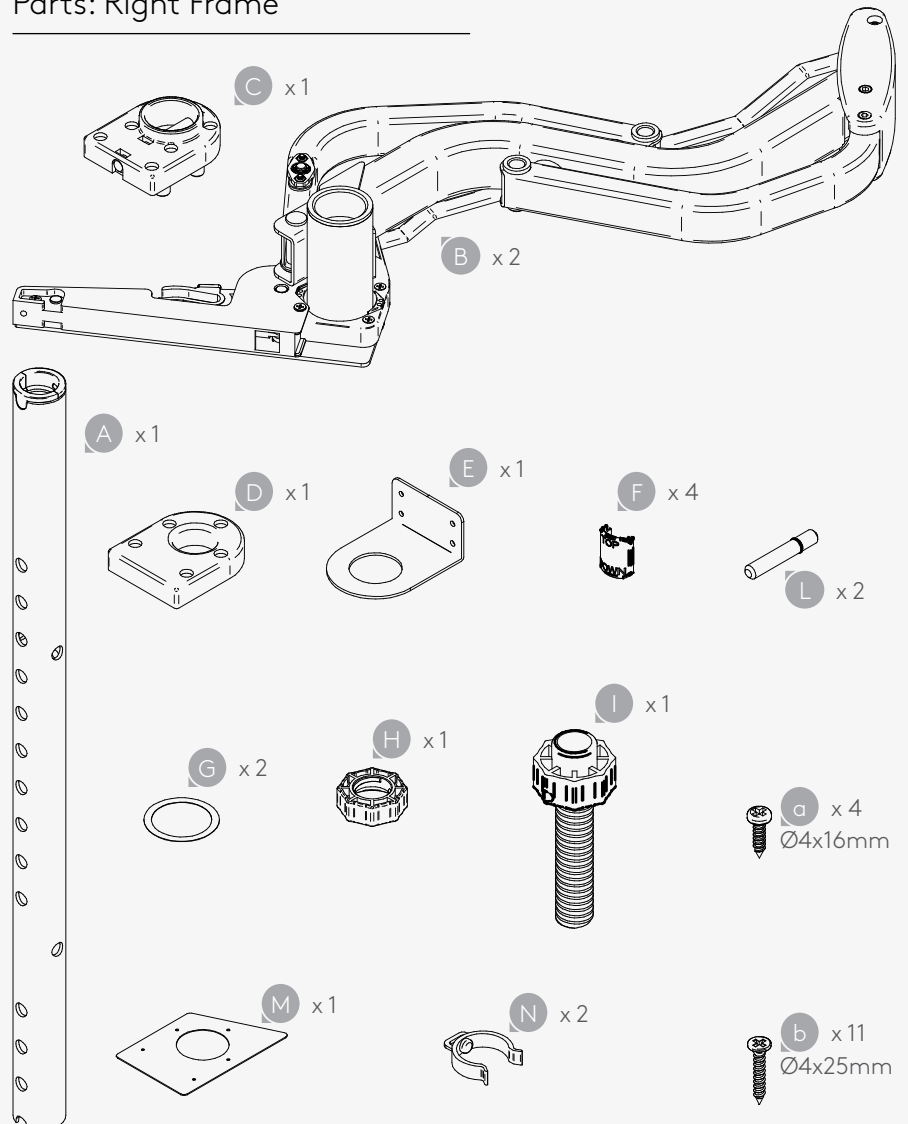
Shelf Loading Capacity



40kg
Maximum
Overall Load



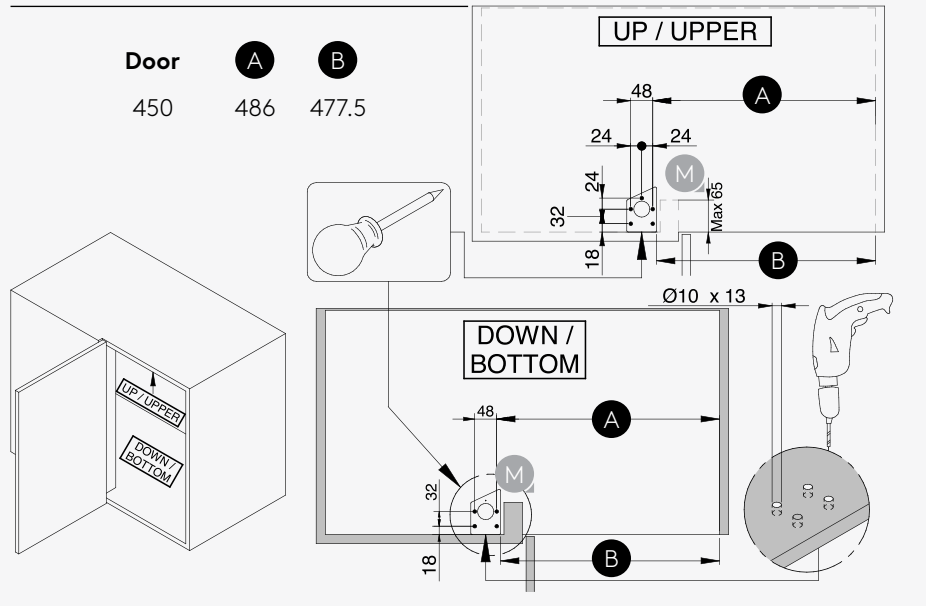
Parts: Right Frame



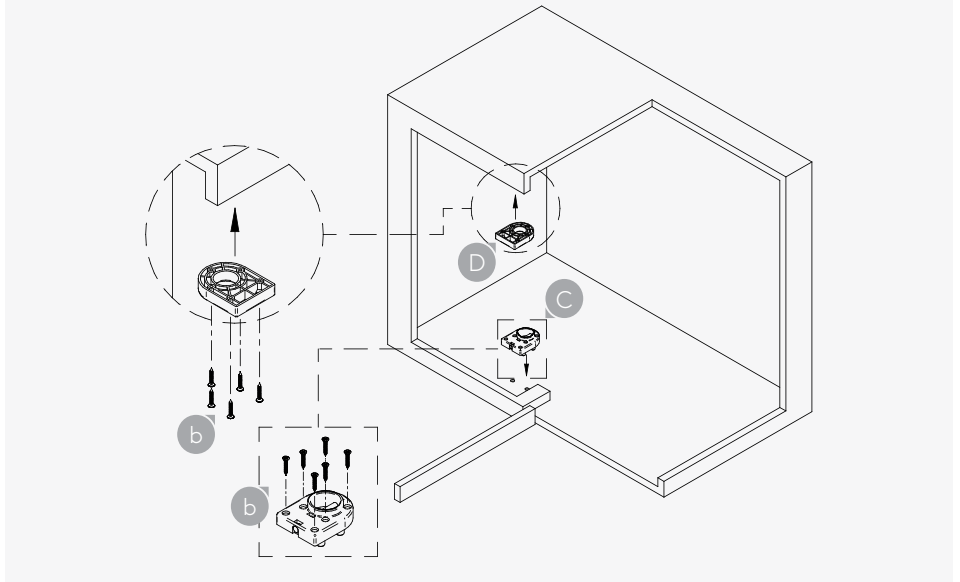
Fly Box Frame

Installation Instruction

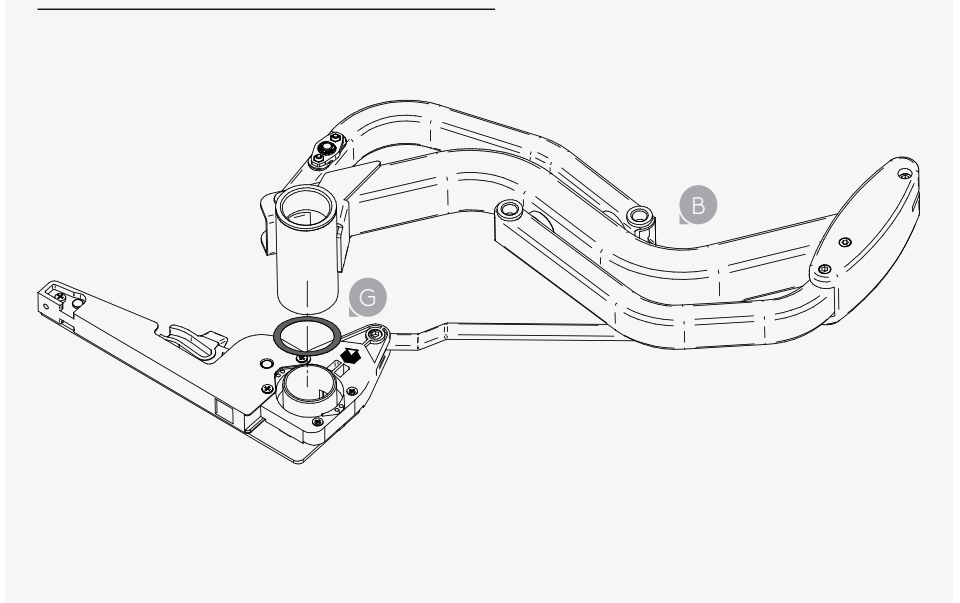
Right Side Assembly: Step 1



Right Side Assembly: Step 2



Right Side Assembly: Step 3

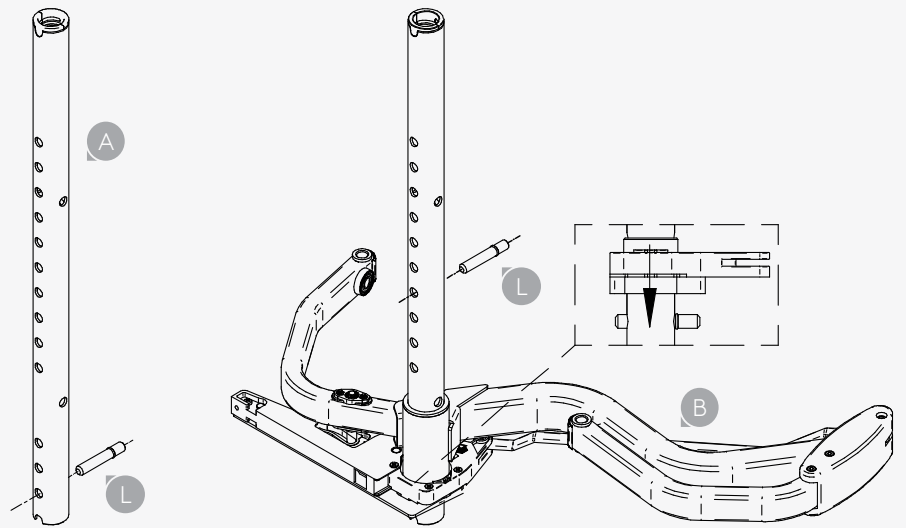


nikpol™

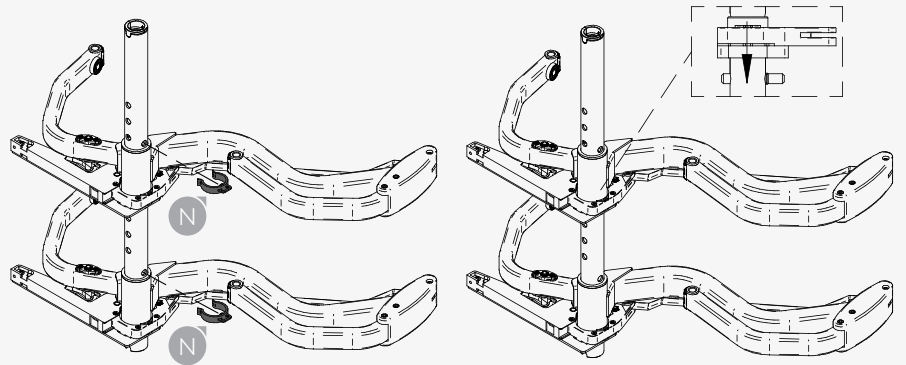
Fly Box Frame

Installation Instruction

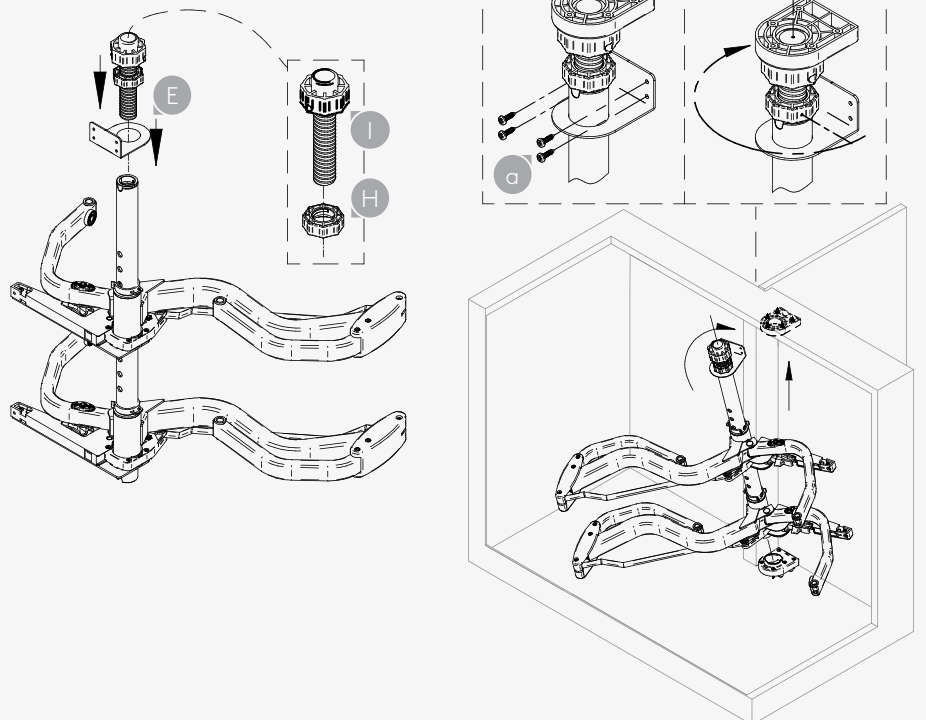
Right Side Assembly: Step 4



Right Side Assembly: Step 5



Right Side Assembly: Step 6

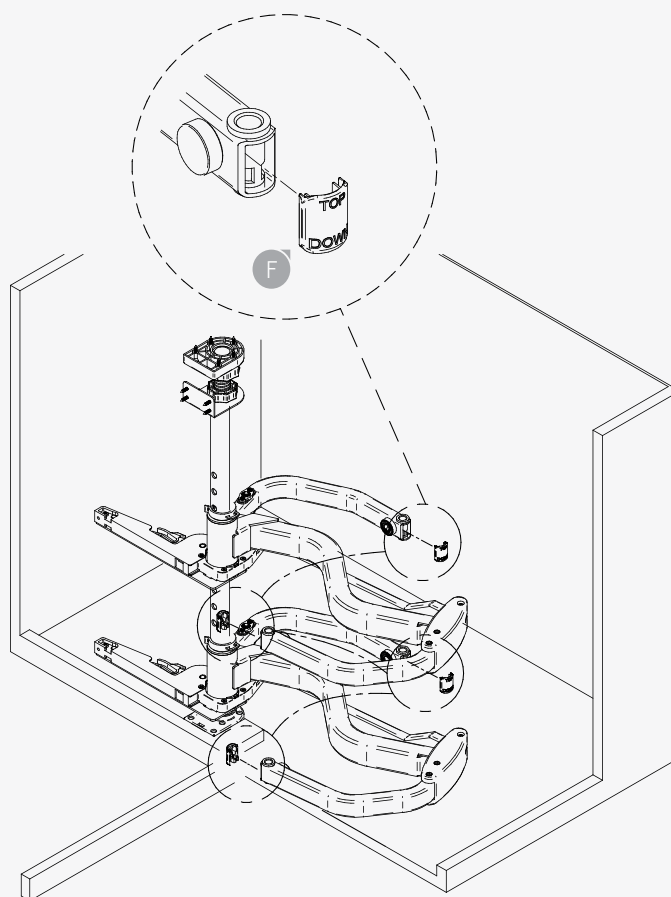


nikpol[™]

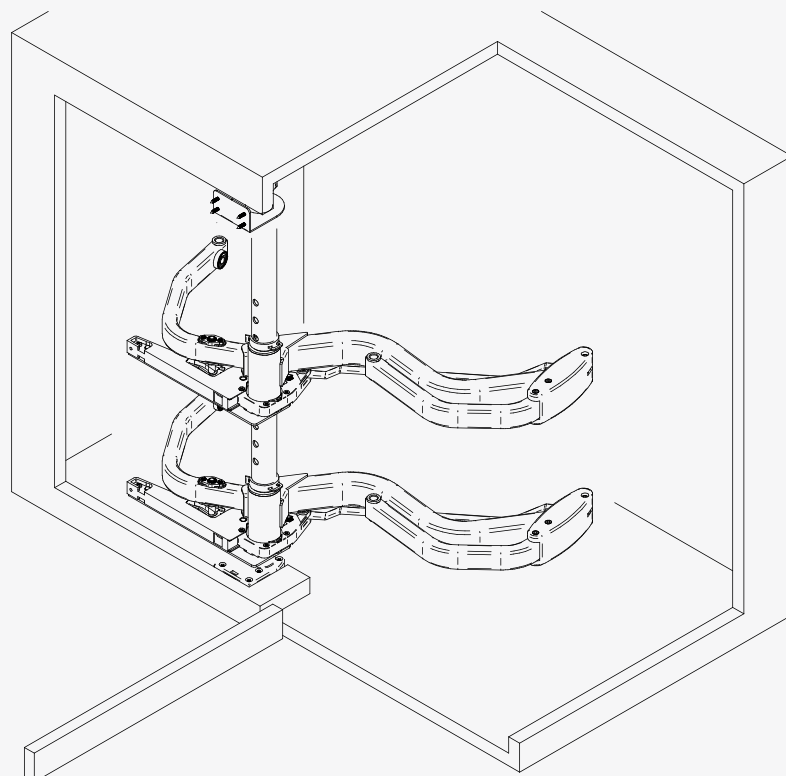
Fly Moon

Installation Instruction

Right Side Assembly: Step 7



Right Side Assembly: Step 8



nikpol™

Fly Moon Shelves

Installation Instruction

Frame

| Code | Mechanism | Height |
|-------------|-----------|----------------|
| VIBO075923* | Left | 816 x 434 x 70 |
| VIBO075893* | Right | 816 x 434 x 70 |

* comes with 2 shelves

Requirements



20 mins



Phillips Head



1 worker

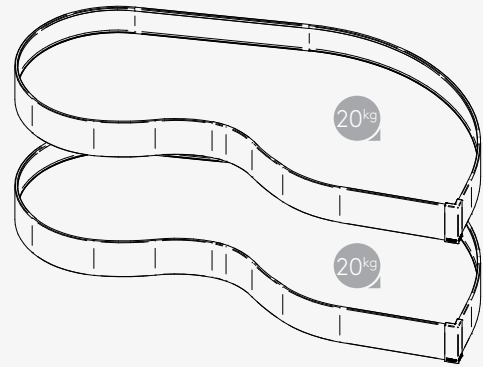


10mm drill bit

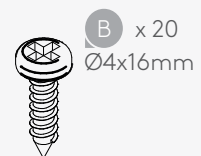
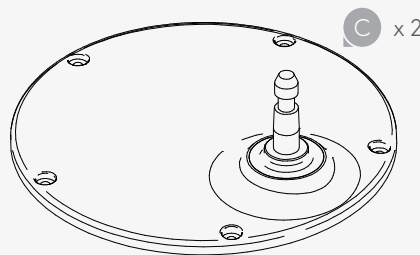
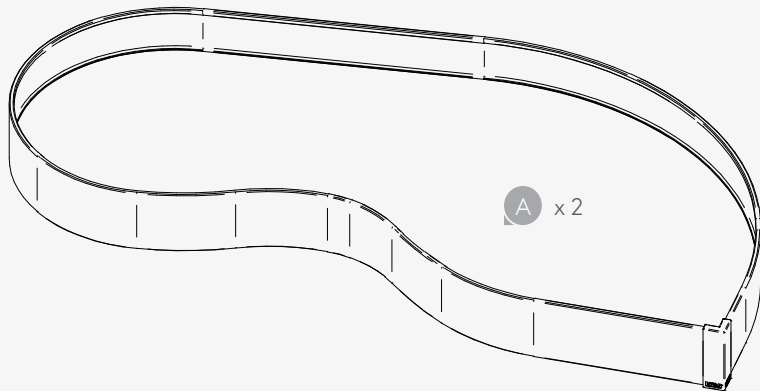
Shelf Loading Capacity



40kg
Maximum
Overall Load



Parts: Shelves

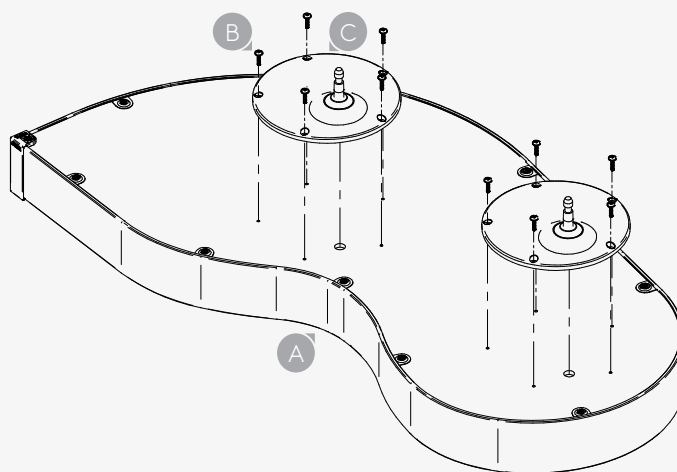


nikpolTM

Fly Moon Shelves

Installation Instruction

Assembly: Step 1



Assembly: Step 2

