

# nikpol™

## Fly Box

### Installation Instruction

#### Characteristics

- Turns blind corners into fully functional drawers
- Prepared for 2 shelving tiers
- Soft closing
- Reversible
- 450mm door
- Angular mechanism



# nikpol™

## Fly Box Frame

### Installation Instruction

#### Frame

Code  
VIBO075664

Height  
560mm

#### Requirements



35 mins



Phillips Head



1 worker

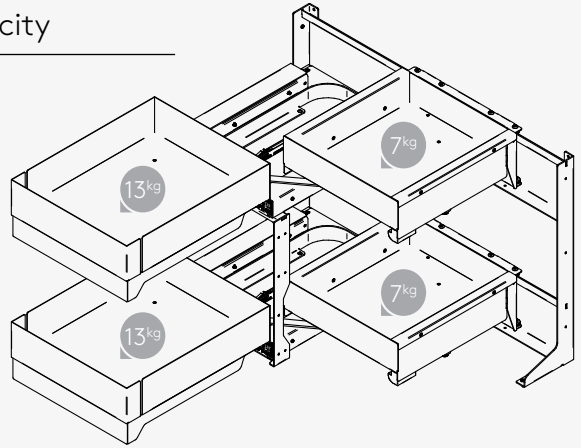


15mm Spanner

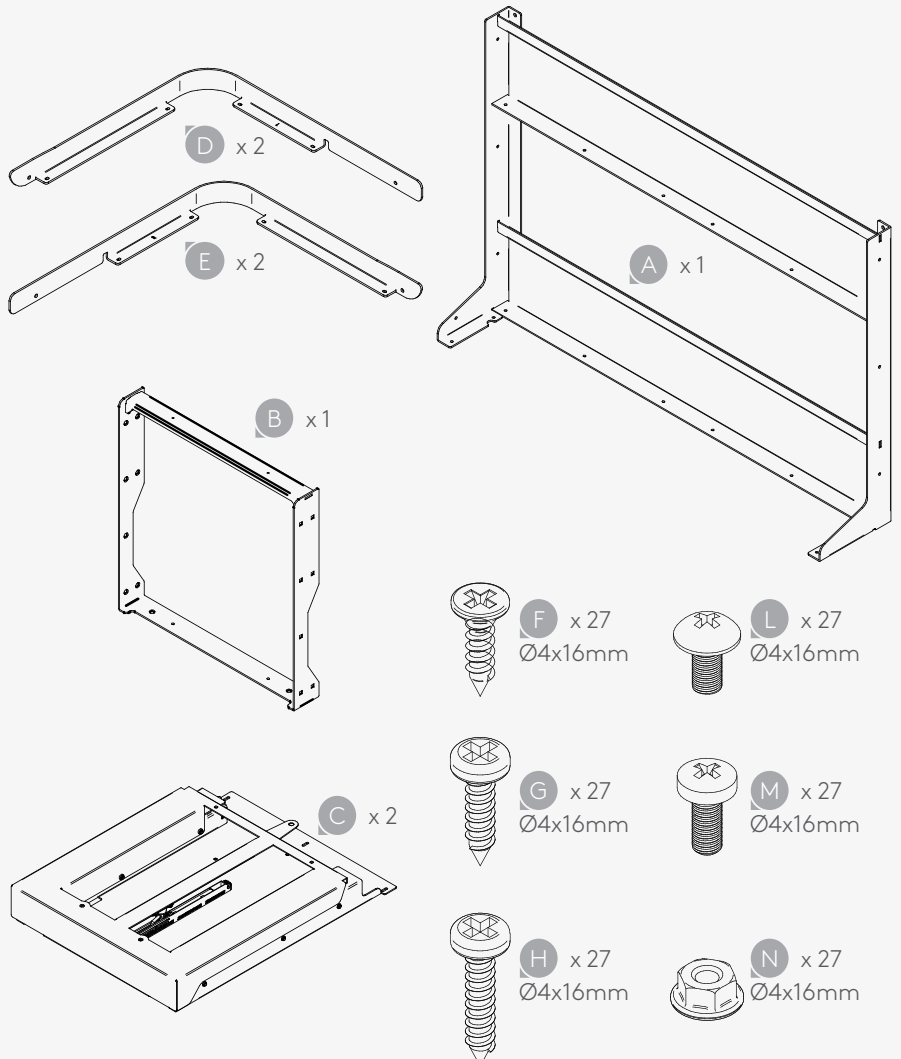
#### Shelf Loading Capacity



40kg  
Maximum  
Overall Load



#### Parts

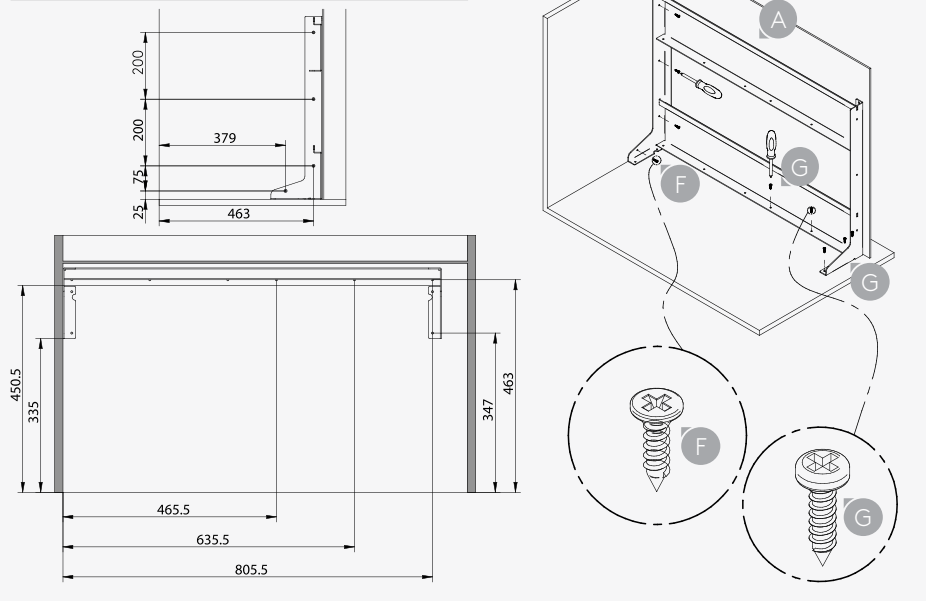


nikpol™

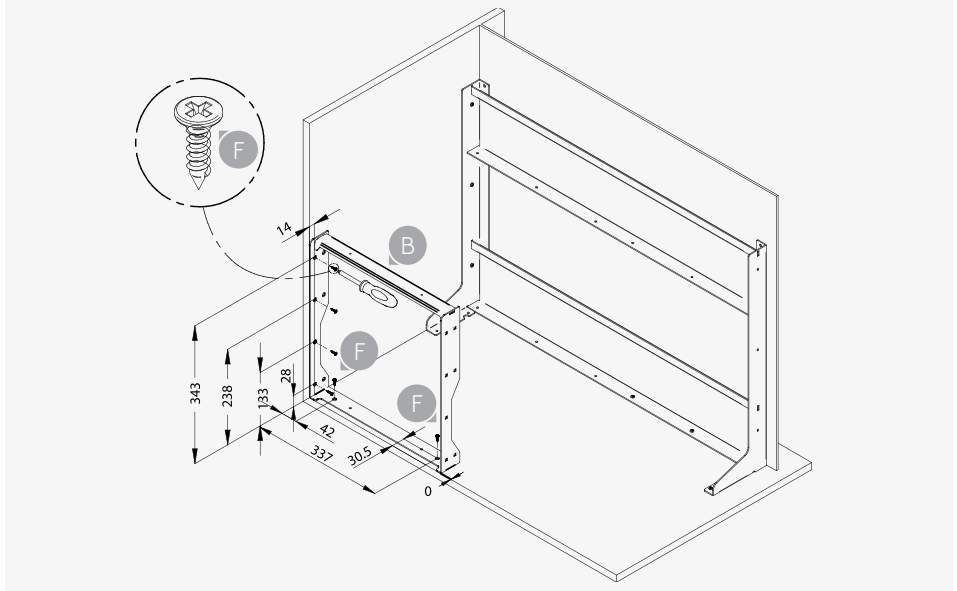
# Fly Box Frame

## Installation Instruction

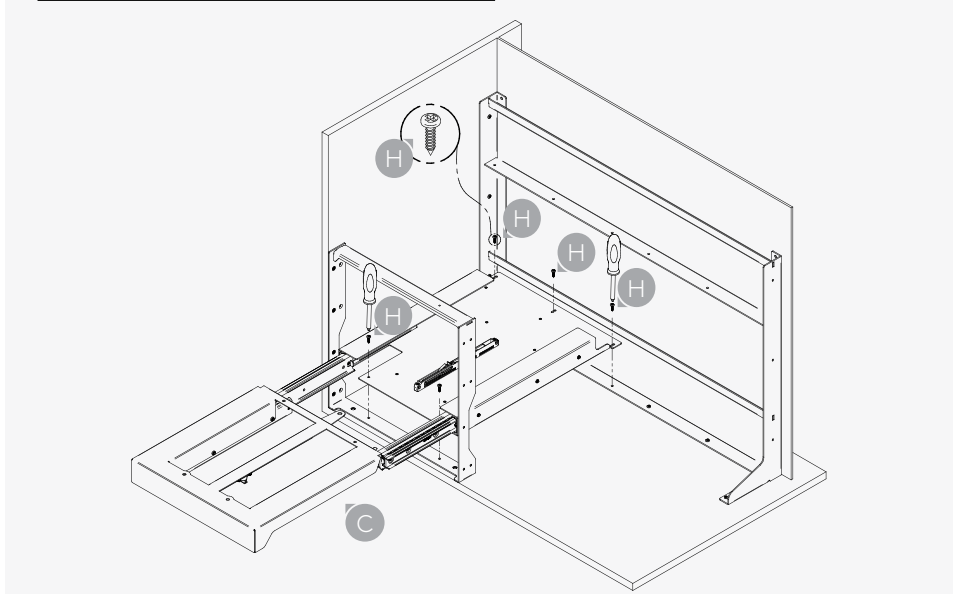
### Left Side Assembly: Step 1



### Left Side Assembly: Step 2



### Left Side Assembly: Step 3

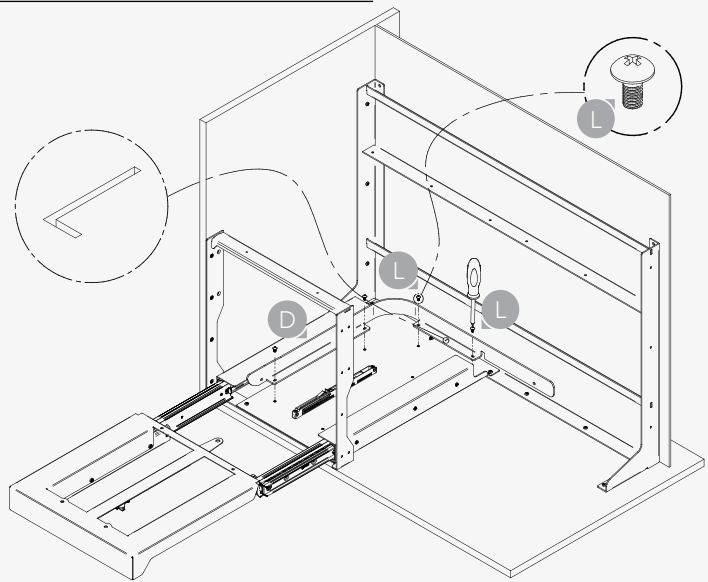


nikpol™

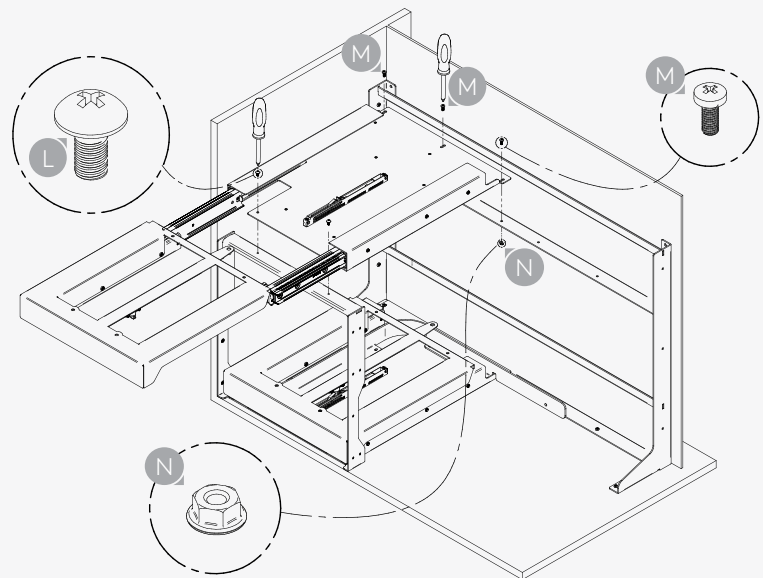
# Fly Box Frame

## Installation Instruction

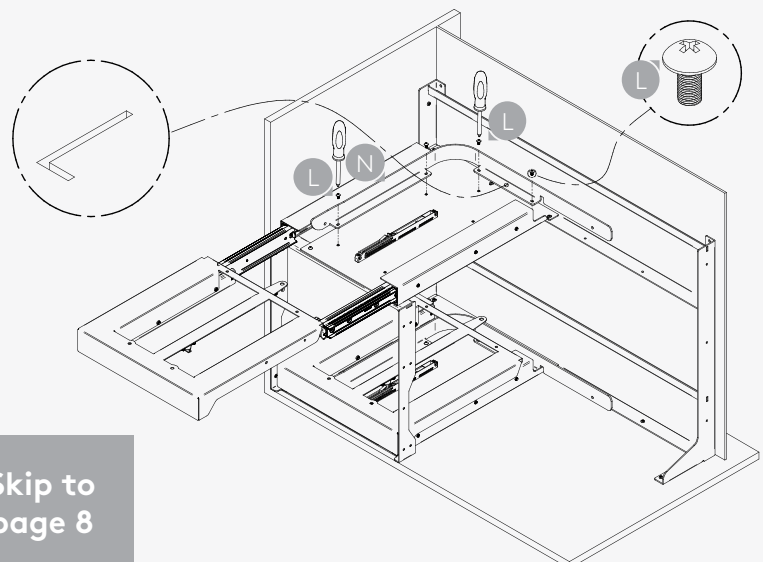
### Left Side Assembly: Step 4



### Left Side Assembly: Step 5



### Left Side Assembly: Step 6



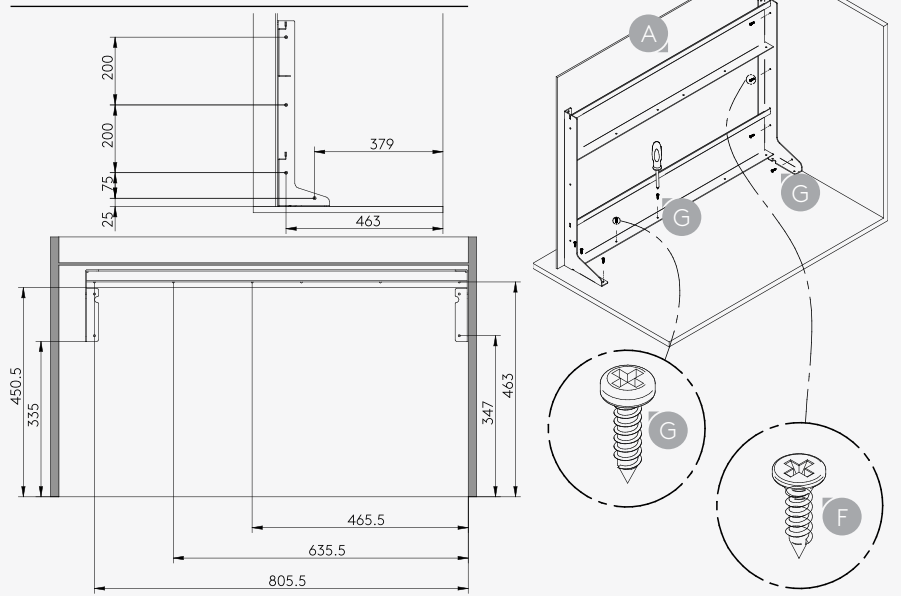
Skip to  
page 8



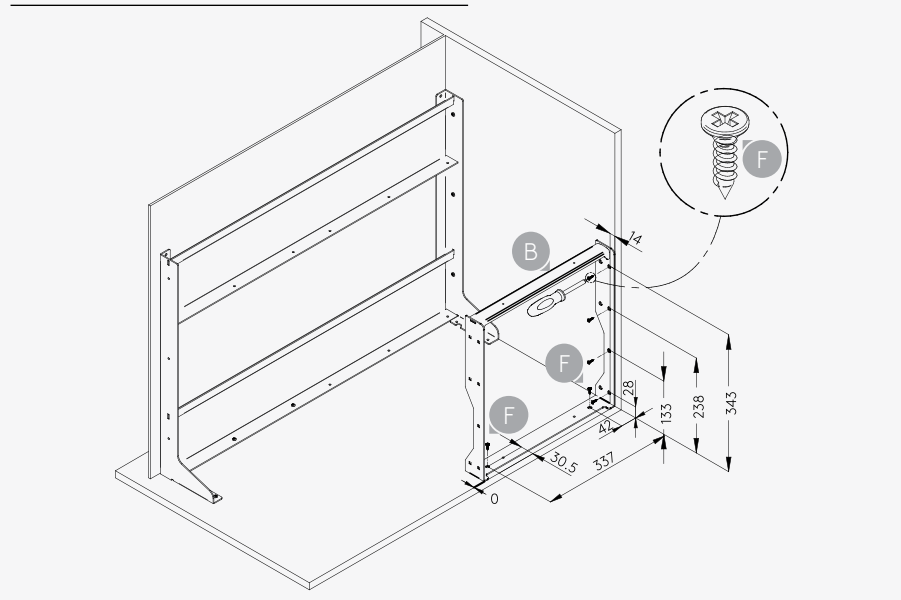
## Fly Box Frame

### Installation Instruction

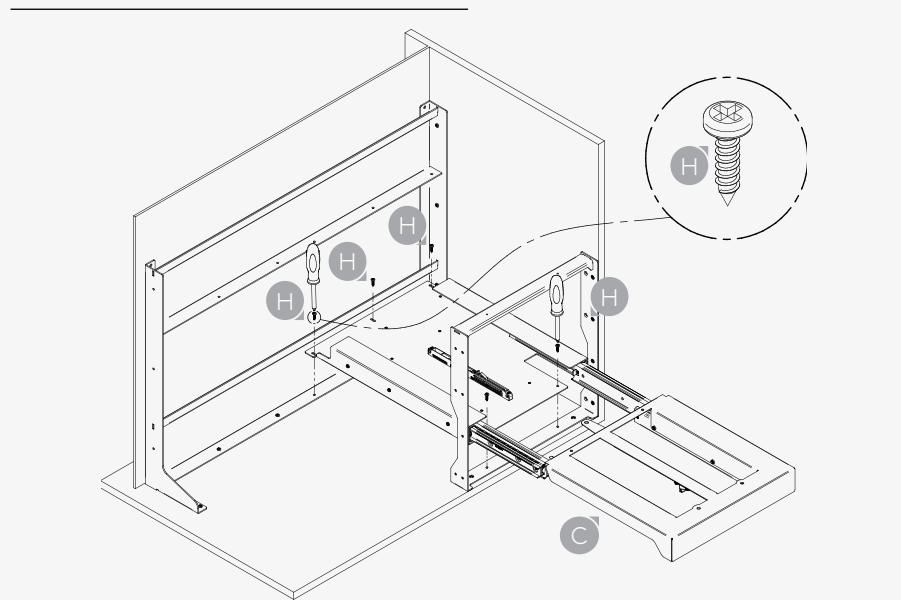
#### Right Side Assembly: Step 1



#### Right Side Assembly: Step 2



#### Right Side Assembly: Step 3

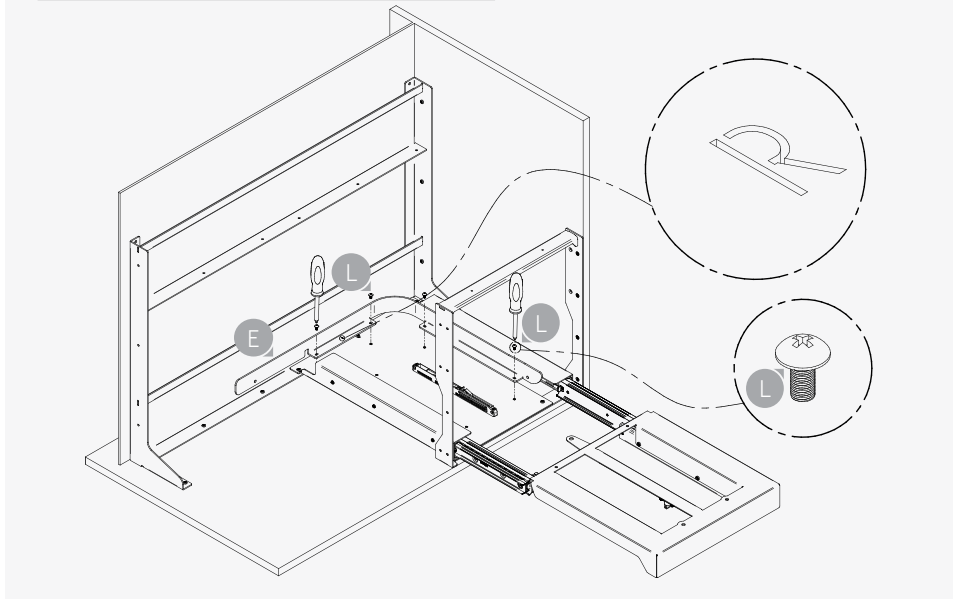


nikpol™

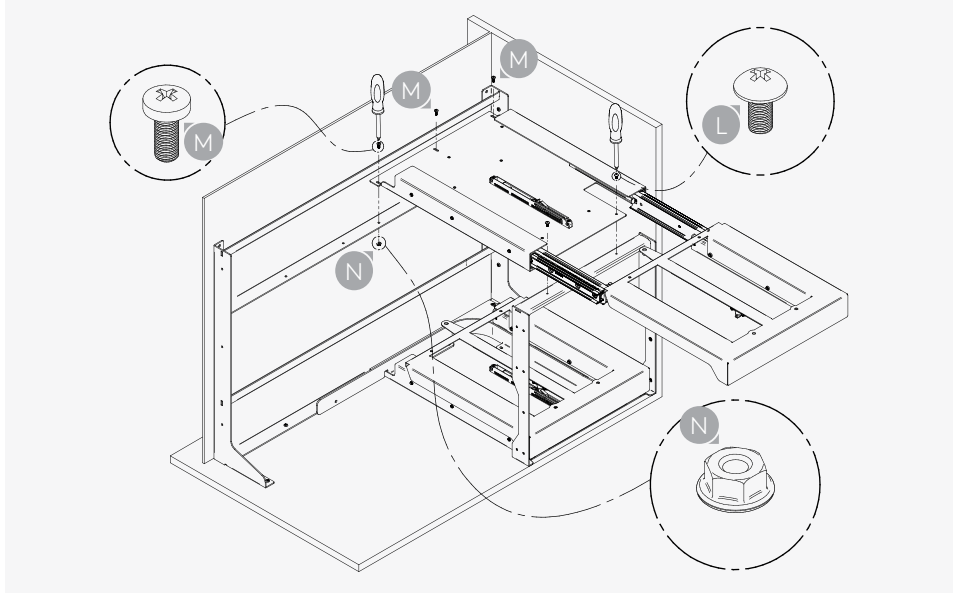
# Fly Box Frame

## Installation Instruction

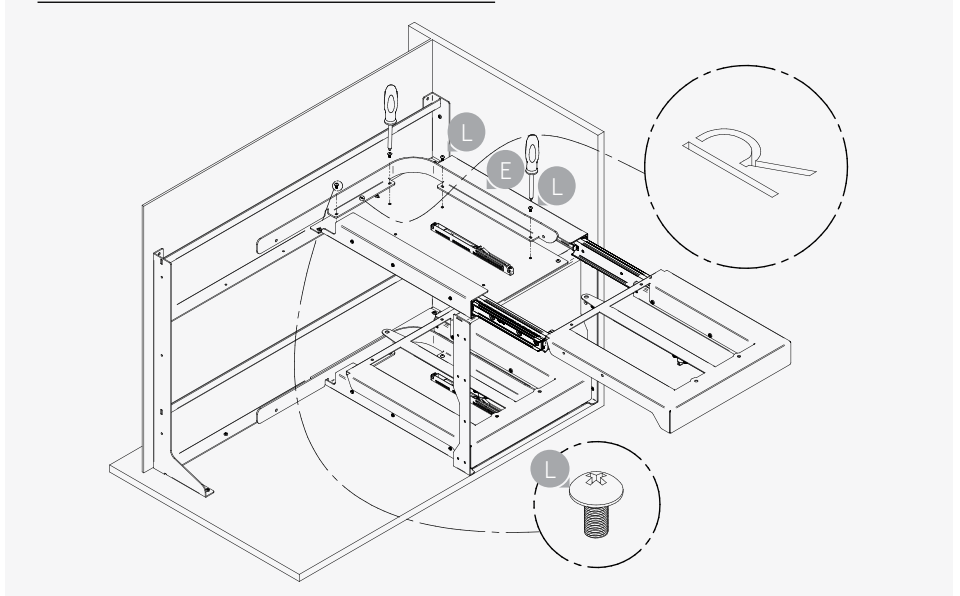
### Right Side Assembly: Step 4



### Right Side Assembly: Step 5



### Right Side Assembly: Step 6



# nikpol™

## Fly Box Baskets

### Installation Instruction

#### Frame

Code  
VIBO075657

Dimensions  
l445 x d360 x h90mm

#### Requirements



15 mins



Phillips Head



1 worker

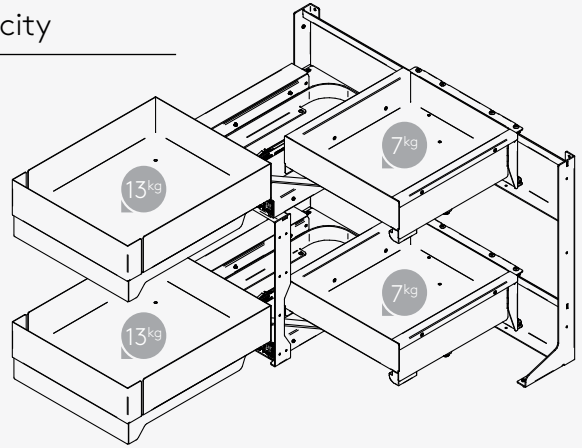


15mm Spanner

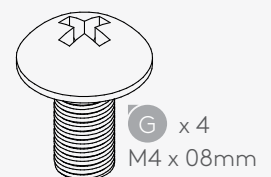
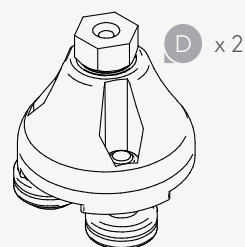
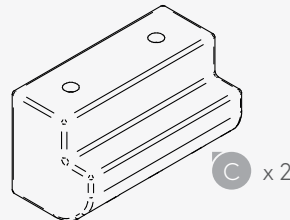
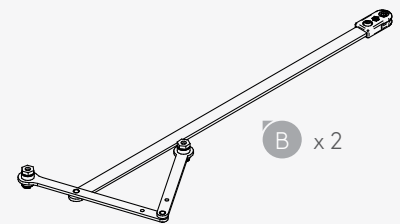
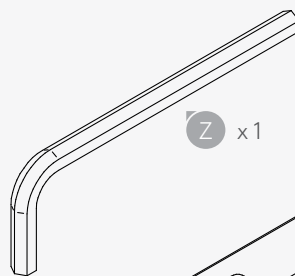
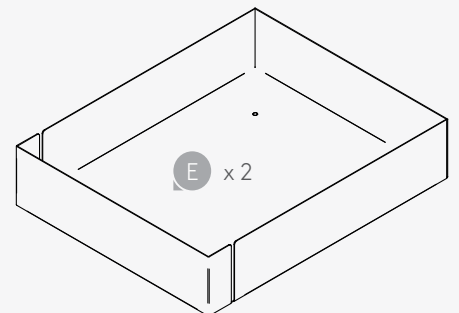
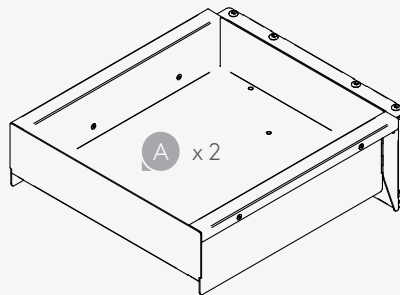
#### Shelf Loading Capacity



40kg  
Maximum  
Overall Load



#### Parts

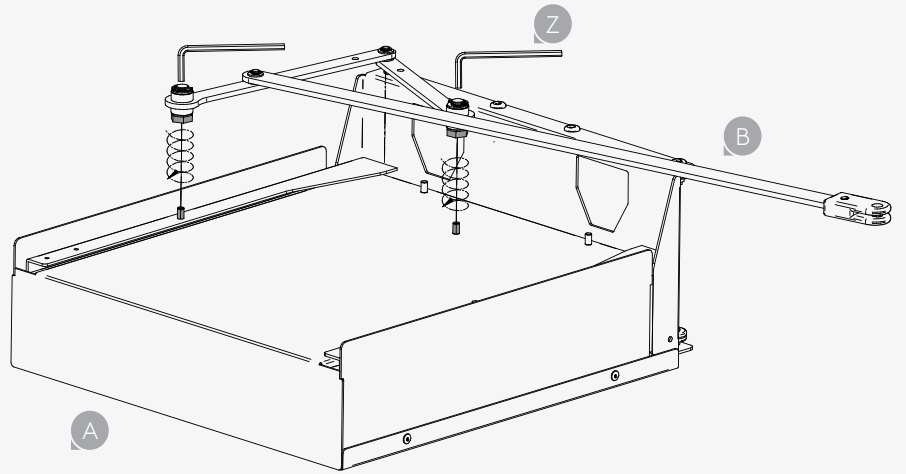


nikpol™

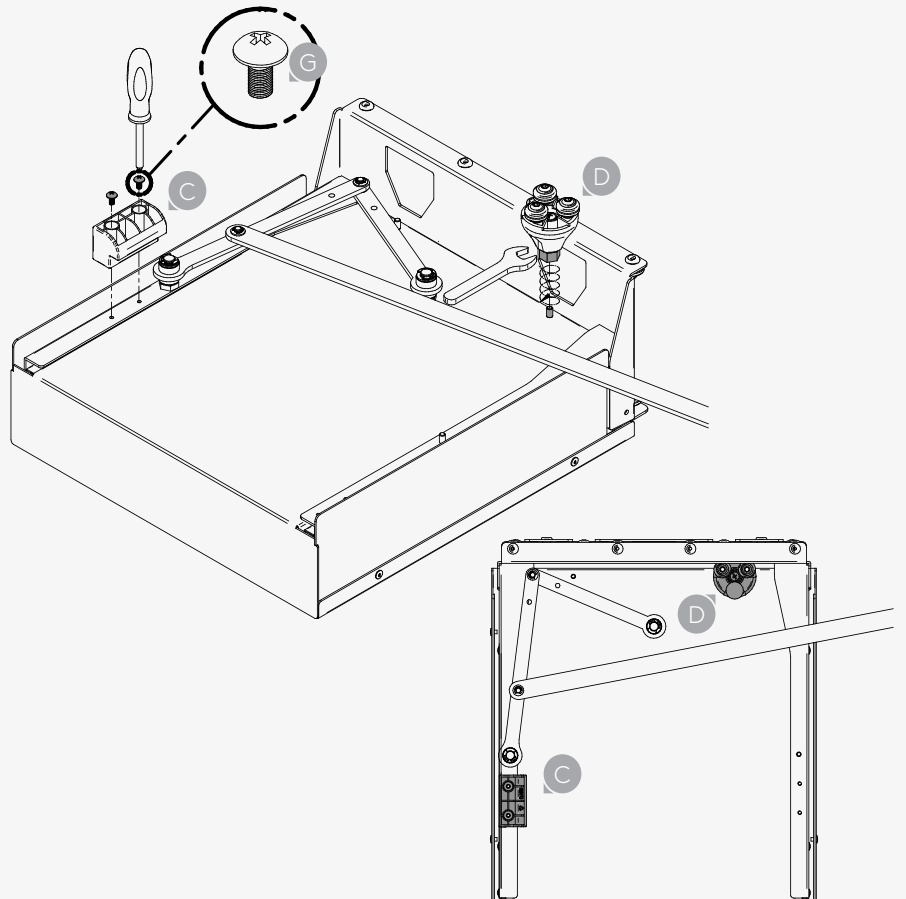
# Fly Box Baskets

## Installation Instruction

### Left Side Assembly: Step 1



### Left Side Assembly: Step 2

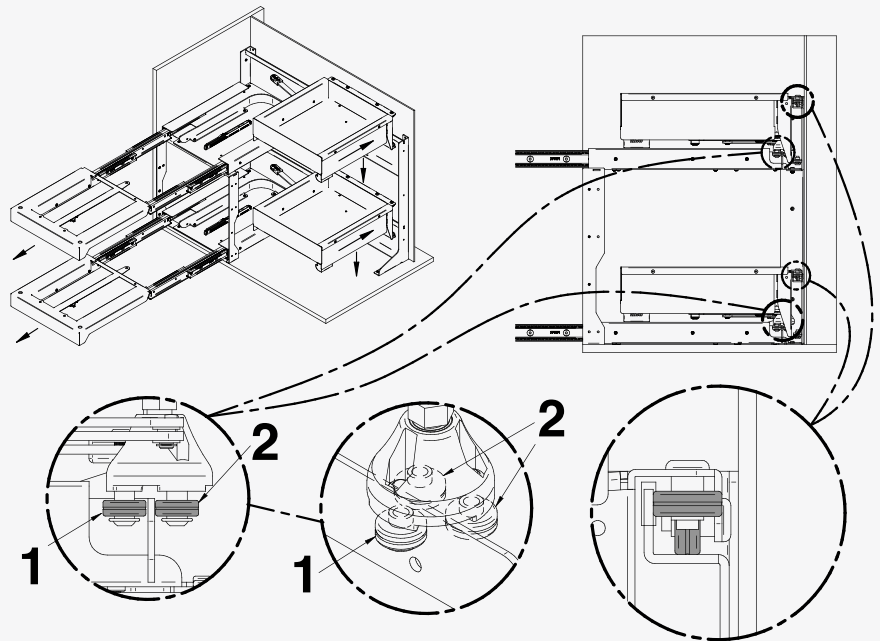


**nikpol™**

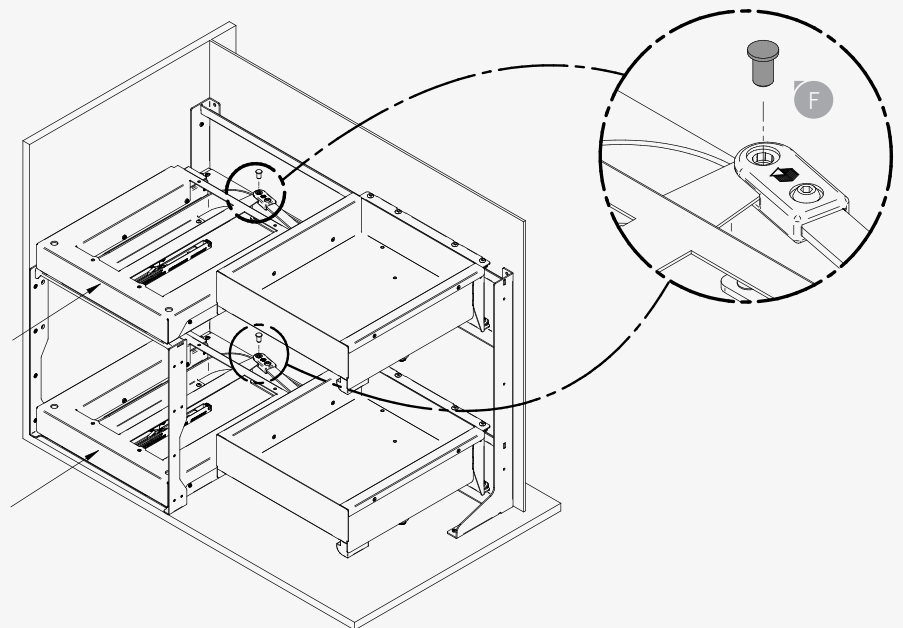
# Fly Box Baskets

## Installation Instruction

### Left Side Assembly: Step 3



### Left Side Assembly: Step 4

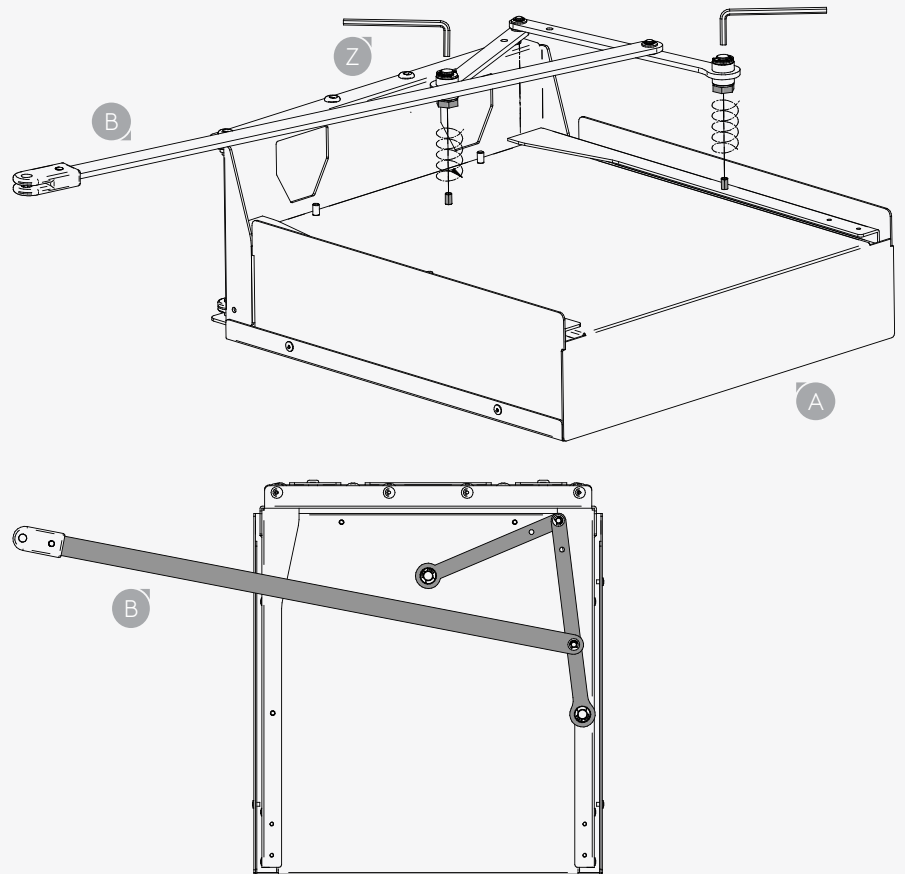


Skip to  
page 12

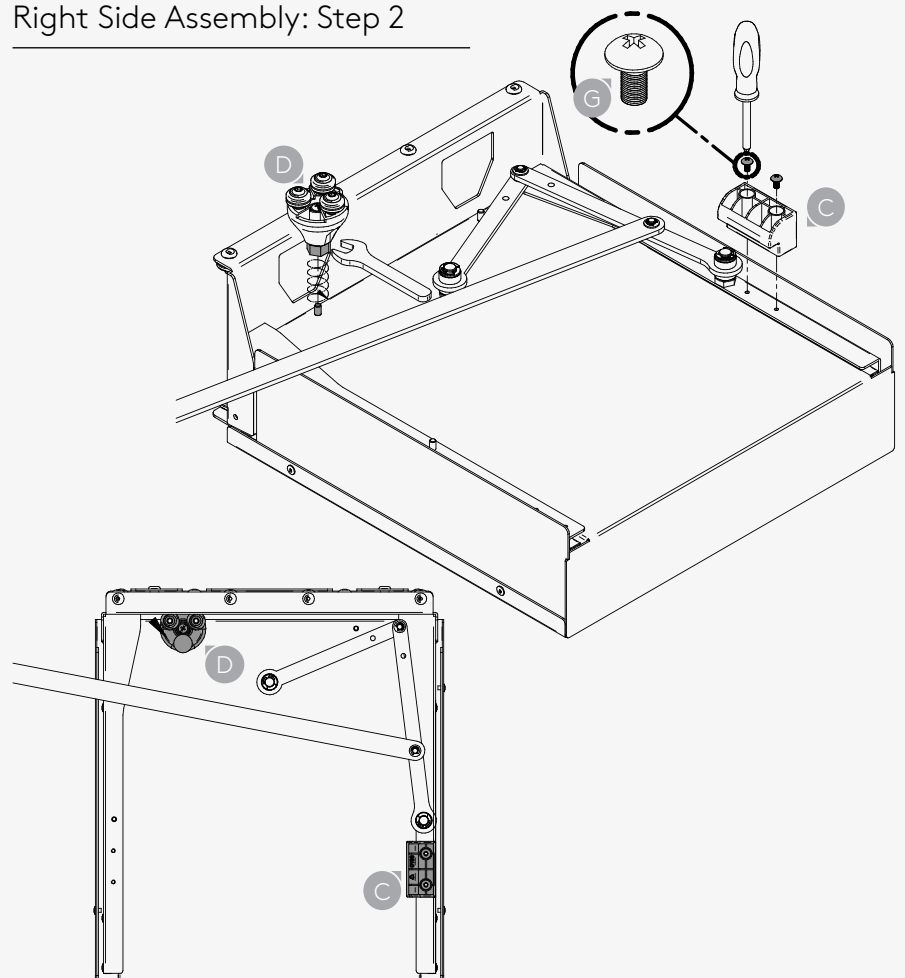
## Fly Box Baskets

### Installation Instruction

#### Right Side Assembly: Step 1



#### Right Side Assembly: Step 2

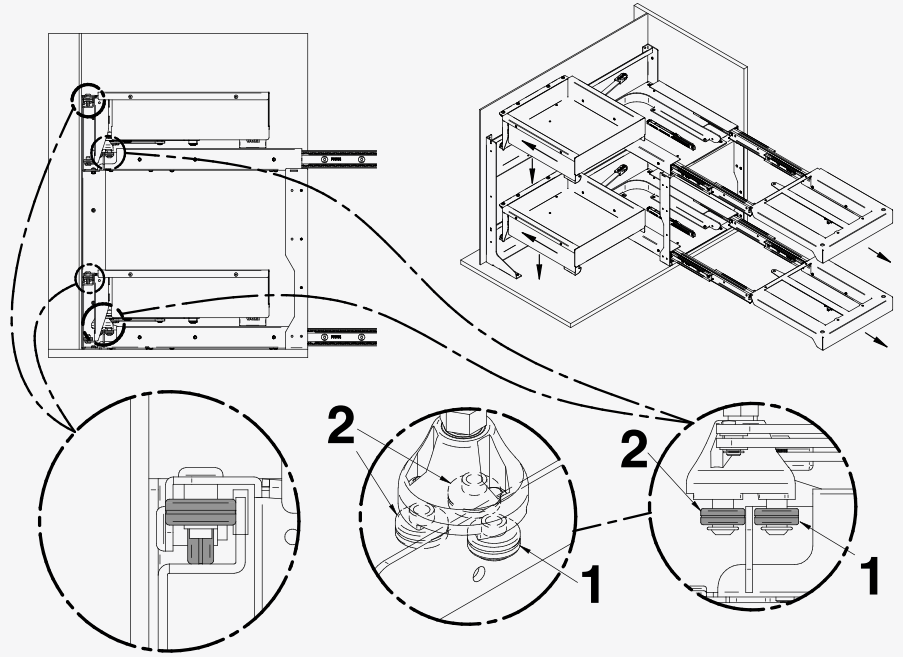


**nikpol™**

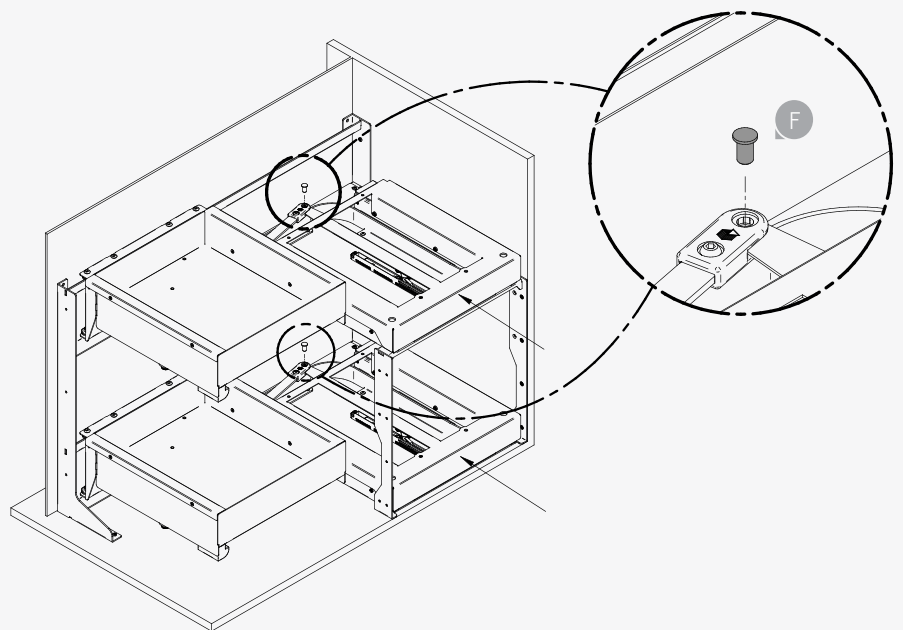
# Fly Box Baskets

Installation Instruction

## Right Side Assembly: Step 3



## Right Side Assembly: Step 4



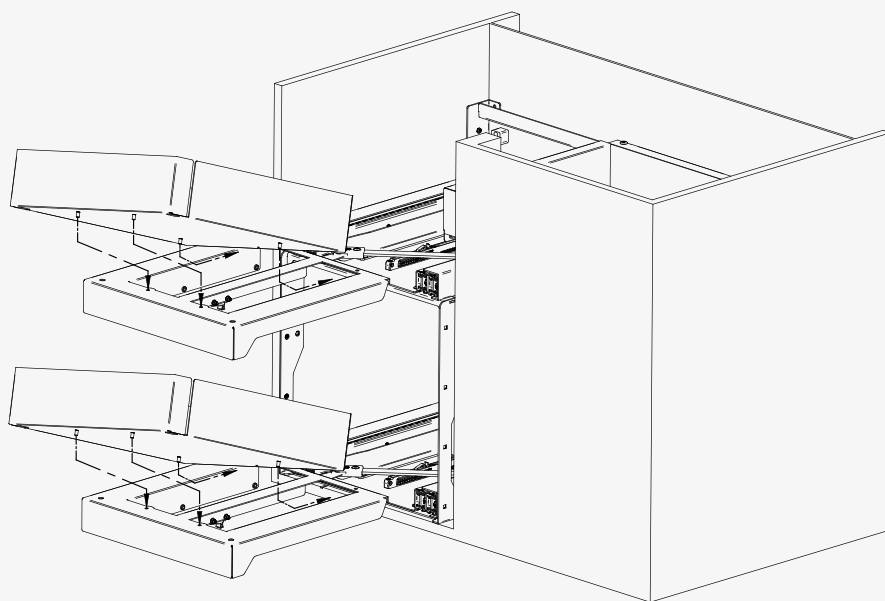


**nikpol™**

## Fly Box Baskets

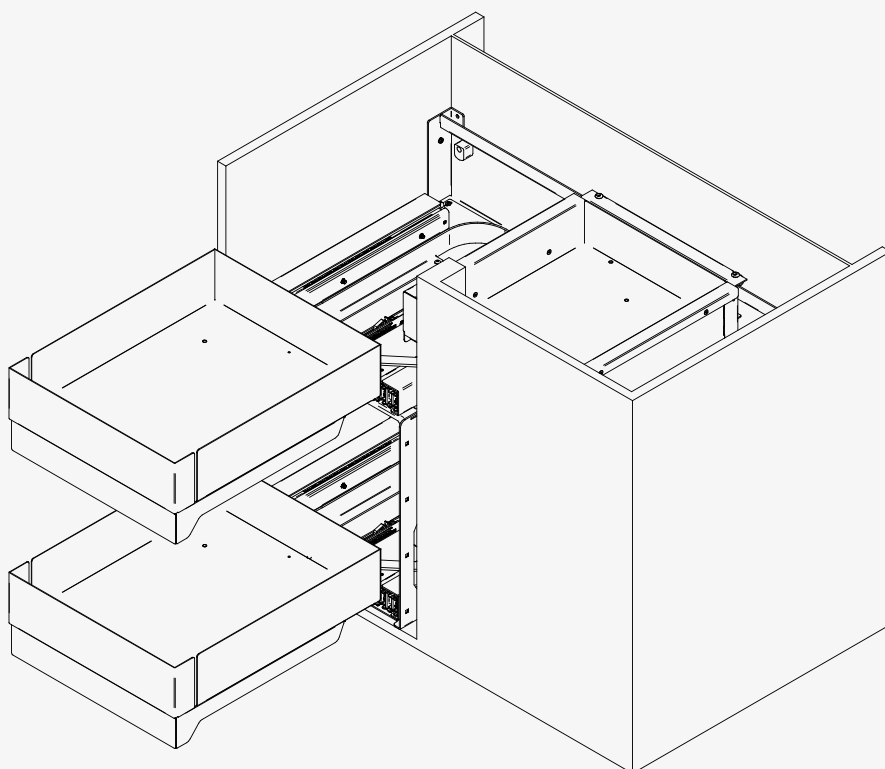
Installation Instruction

Left/Right Side Assembly: Step 5



# Clack!

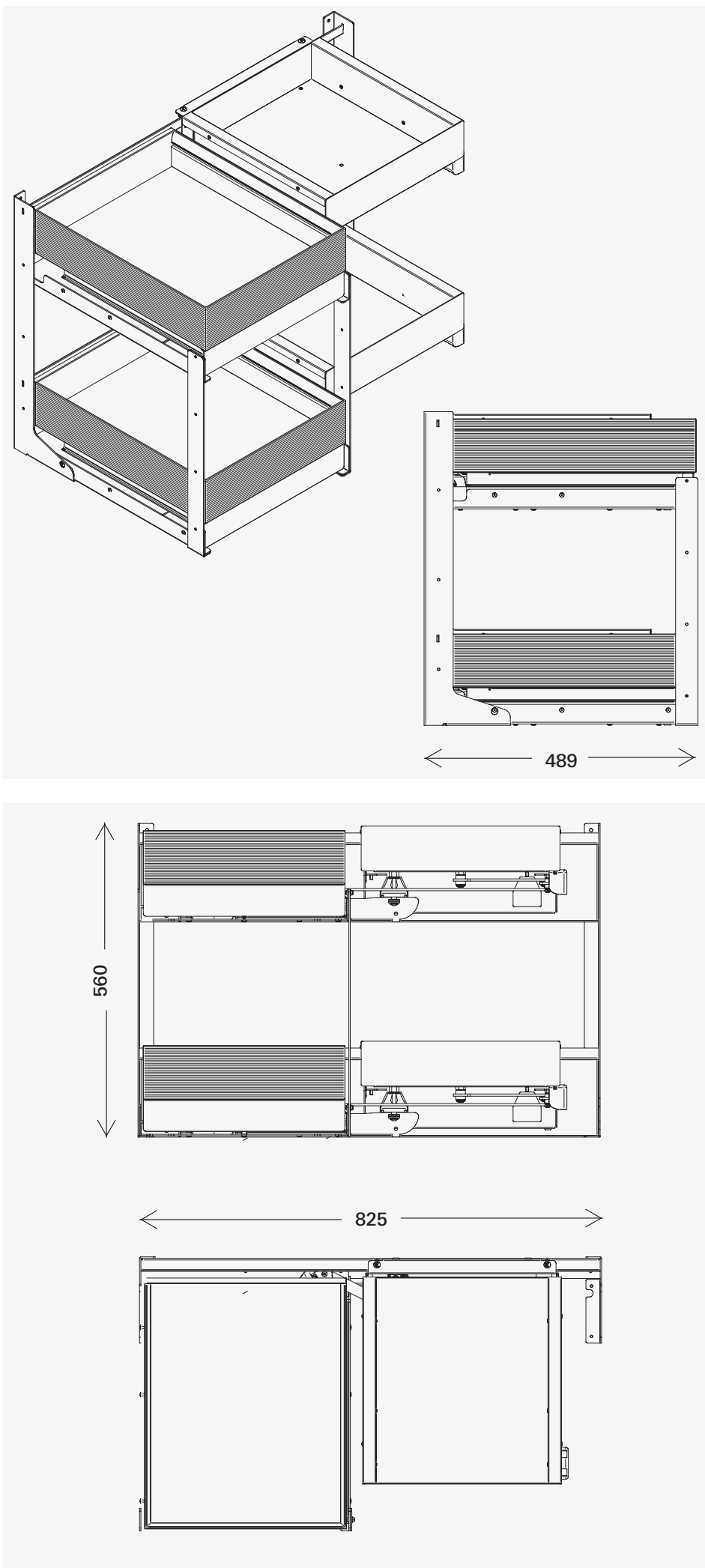
Left/Right Side Assembly: Step 6



nikpol™

## Fly Box

OVERALL DIMENSIONS

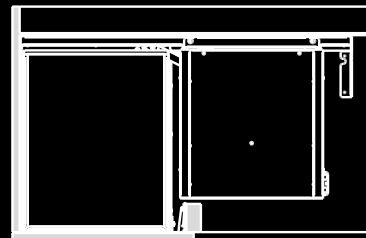


nikpol™

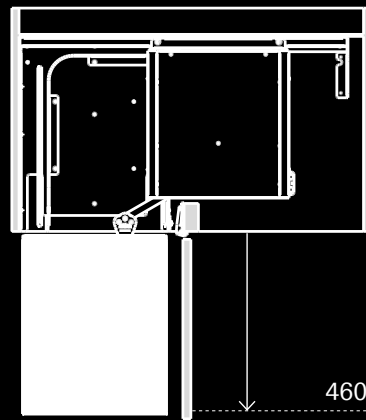
# Fly Box



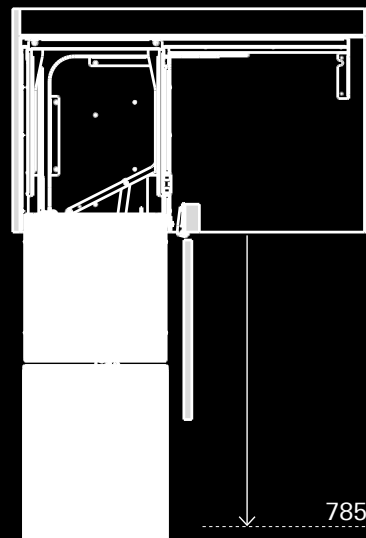
1 SINGLE ACTION



450mm



460mm



785 mm