



## features



Double wall  
drawer



Full  
Extension



Concealed Slides  
Side Mount



Soft  
Close



Push-to-Open  
(Optional)

## advantages

- Tool free front and gallery rail fixings come standard
- Runners and slides are concealed, giving the drawer a cleaner look
- Side adjustment is accessed from the right profile only
- Built in soft closing mechanism
- Fully synchronised soft close drawer and no knocking noise
- 2D adjustment on standard drawer (side and height)
- 3D adjustment on pot drawers (side, height and tilt adjustment through the gallery rail)

## SMOOTH

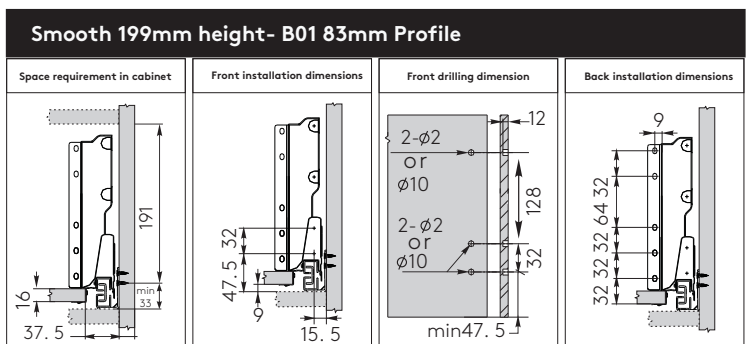
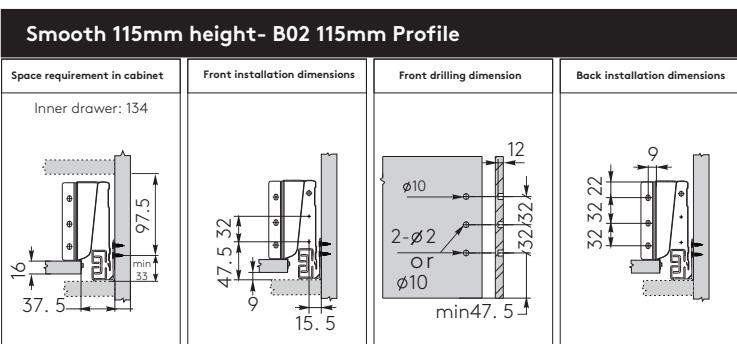
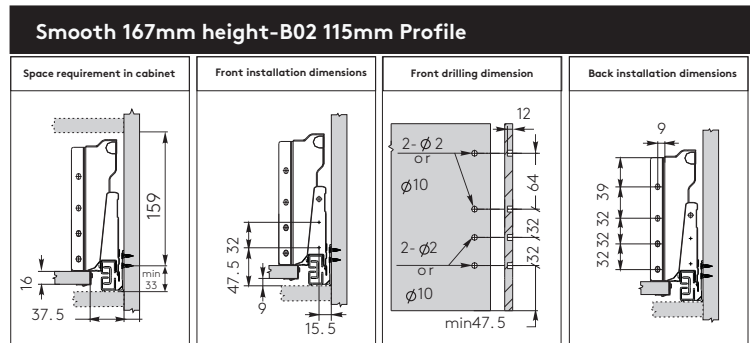
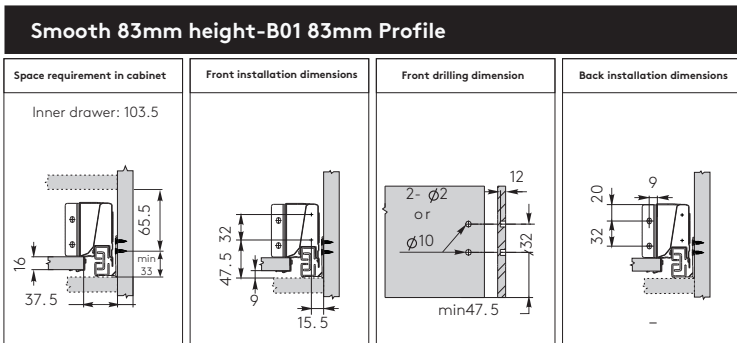
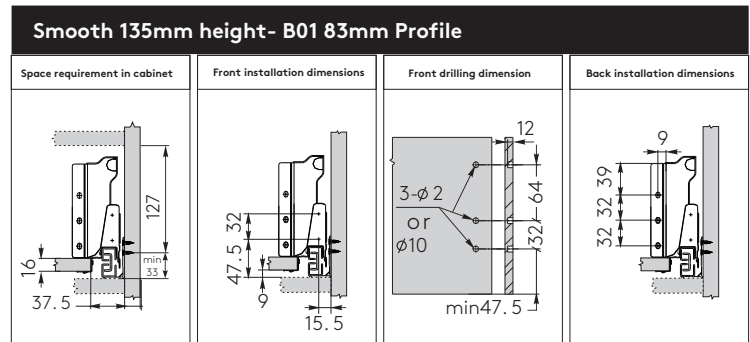
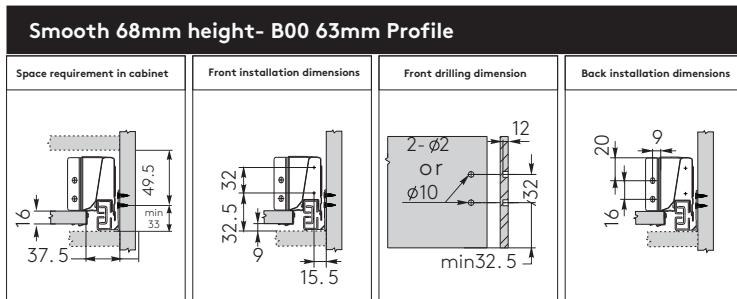
- Optimal soft closing operation
- Load capacity 40kg
- White finish
- Full extension synchronised drawer
- Tool-free assembly and removal of drawer
- Double wall drawer
- 2-dimensional front adjustment  
Up/down adjustment  $\pm 2$  mm  
(access from left and right profile)  
Left/right adjustment  $\pm 1.5$  mm  
(access from right profile only)

Nominal Length	Soft Closing				Push-to-Open	
	Profile			Medium	High Pot Drawer	Profile
	68 mm	83 mm	115 mm	135 mm	199 mm	83 mm
	Set A	Set A	Set A	Set B	Set D	Set A
270mm		B01270A	B02270A			
300mm		B01300A	B02300A			B513004A
350mm		B01350A	B02350A	B01350B	B01350D	B513504A
400mm		B01400A	B02400A	B01400B	B01400D	B514004A
450mm	B004504A	B01450A	B02450A	B01450B	B01450D	B514504A
500mm	B005004A	B01500A	B02500A	B01500B	B01500D	B515004A
550mm		B01550A	B02550A	B01550B	B01550D	B515504A
600mm		B01600A	B02600A	Use Set B components	Use Set D components	

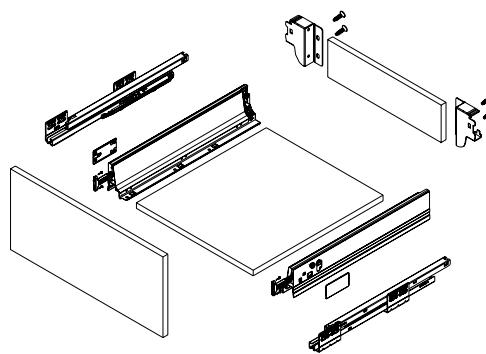
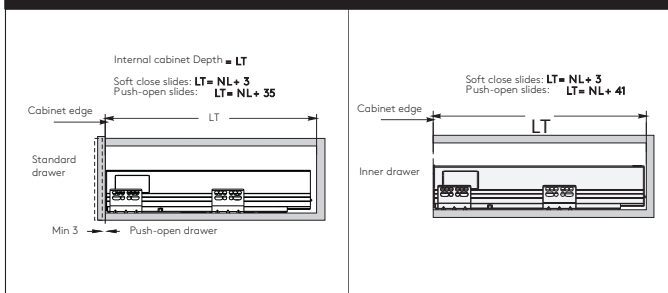
Set A - Comes complete drawer with easy fix front brackets Set B - Set A (83mm) plus easy fix gallery rails & medium back brackets Set D - Set A (83mm) plus easy fix gallery rails & high back brackets.

115mm - Optional medium pot drawer will require additional 167mm back bracket and easy fix gallery rail.

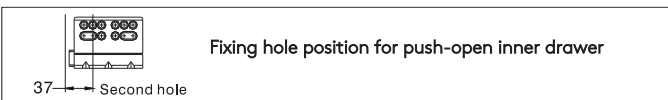
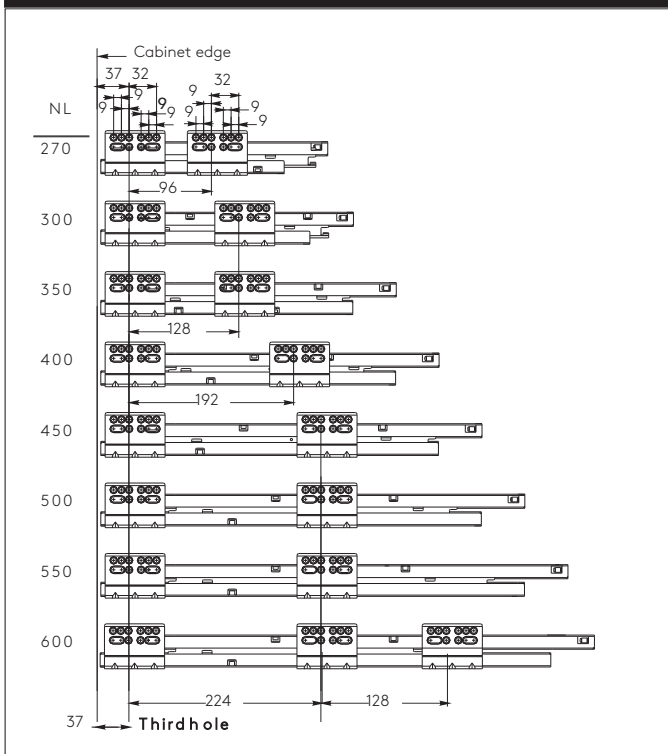
\*Synchronisation Rod (M0FH02) is needed for drawers with width of 600mm or wider for Push-to-Open mechanism to work.



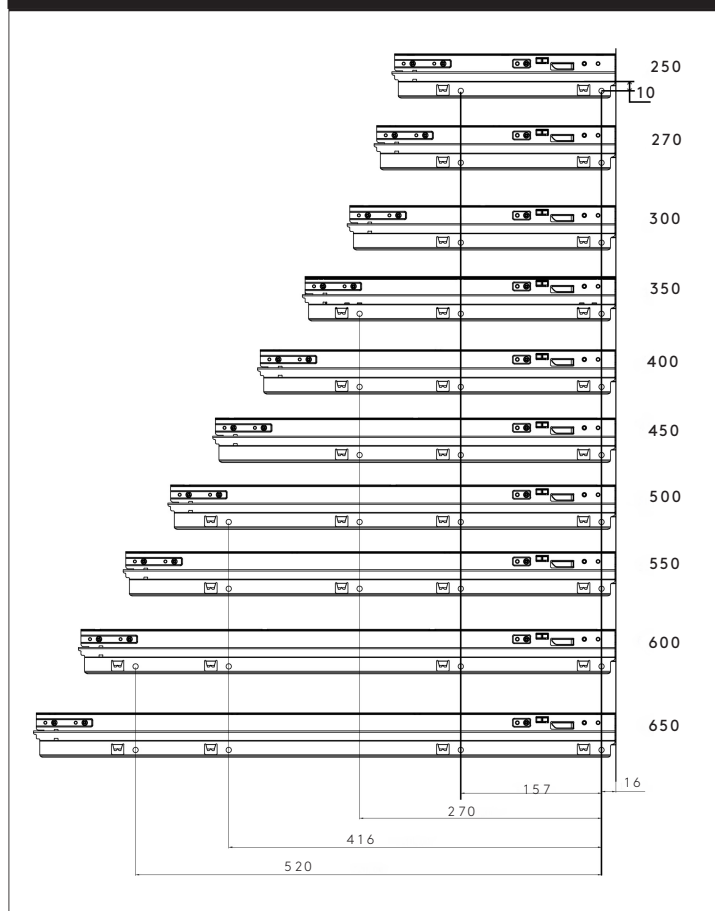
## Installation dimensions



## Screw position of the slides (mm)



## Bottom panel pre-drilling

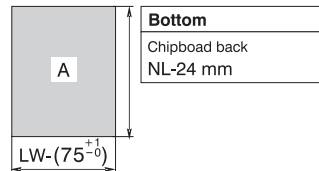
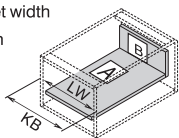


## Cutting dimensions for 16mm chipboard

KB: Cabinet width

LW: Internal cabinet width

NL: Nominal length



## Inner panel and Inner rail cutting dimension



M01021 White

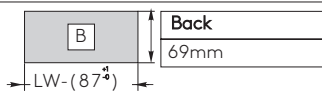
**Front Panel**  
 For cutting to size: 1100mm Cutting:  
 Internal cabinet width LW-97



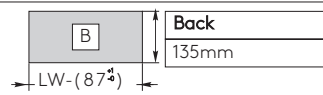
M01043 White

**Front Rail**  
 For cutting to size: 1100mm  
 Cutting: Internal cabinet width LW-74

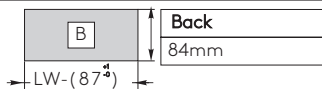
### Smooth B00 Drawer- 68mm height



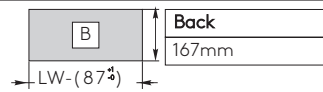
### Smooth B01 Drawer- 135mm height



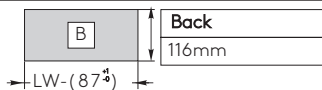
### Smooth B01 Drawer- 83mm height



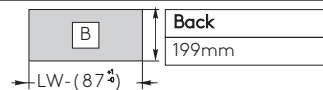
### Smooth B02 Drawer- 167mm height



### Smooth B02 Drawer- 115mm height



### Smooth B01 Drawer- 199mm height



### Installation Instruction

Back assembly

Click

Click

Bottom assembly

Fix screws

Front assembly

Click

### Adjustment

Left & right adjustment

Up & down adjustment

Slide into the cabinet

Press-in

### Removal

Tip up the cover and pull out

Turn screw driver to release the drawer front

Lift the release handle and out Pull the drawer

### Standard Drawer- 68, 83 & 115 mm (B00, B01 & B02 series)

Front assembly

### Medium Pot Drawer- 135 & 167 mm (B01 & B02 series)

Front assembly

Back assembly

Fit the front

### High Pot Drawer- 199 mm (B01 series) with double gallery rail option

Front assembly

Back assembly

Fit the front

### High Pot Drawer Installation with side wings

Side assembly

Side assembly

### Standard Drawer Inner Drawer Installation

Front assembly

### High Pot Drawer Inner Drawer Installation with double box side

Fit the front

Front assembly

Side assembly

### Push to open trigger range

1/3 1/3 1/3

✗ ✓ ✗