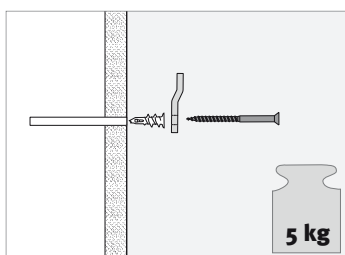


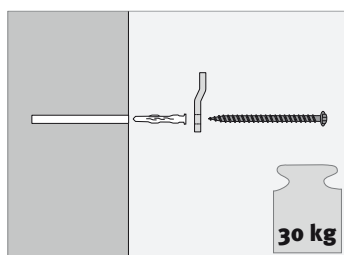
**MORE FROM WOOD.**



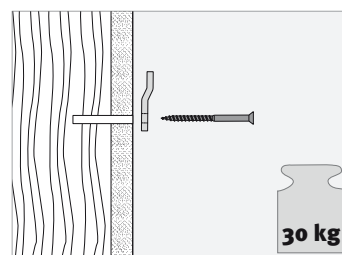
## **MAXIMUM LOAD**



**1** Fixed to plaster material\*



**2** Fixed to concrete or brick\*



**3** Fixed to stud wall\*

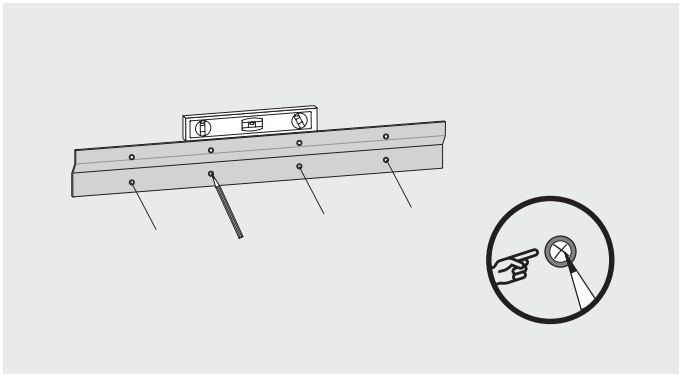
## **INFORMATION**

Wall mounting of the floating shelf requires screws (not included). Always choose screws which are suitable for the relevant application. The figure shows three common types of walls, with a specification of fittings and maximum load of the floating shelf.

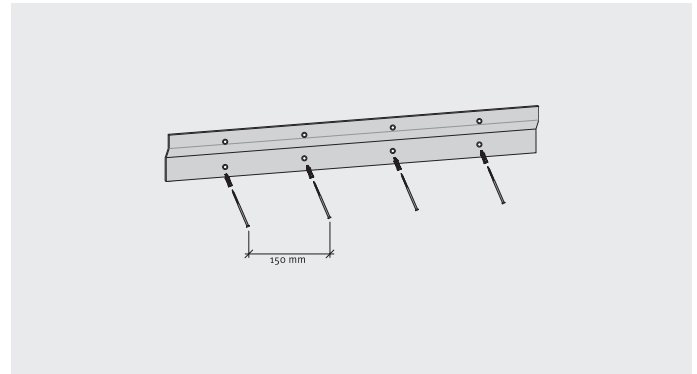
\* calculation based on best bracing, best screw and best dowel material, based on maximum weight being at the centre of the shelf.

**nikpol™**

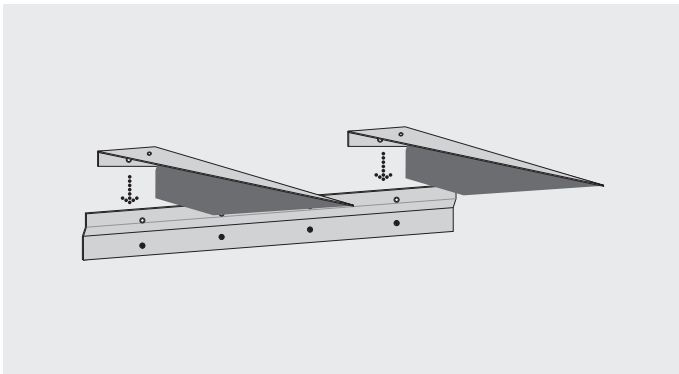
## ASSEMBLY INSTRUCTIONS



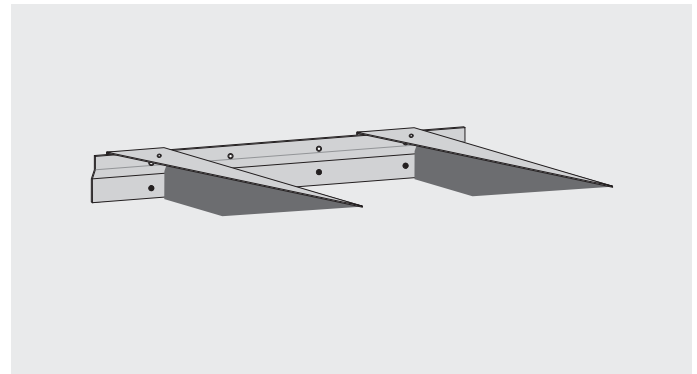
**1** Ensure EL50 strip is level.



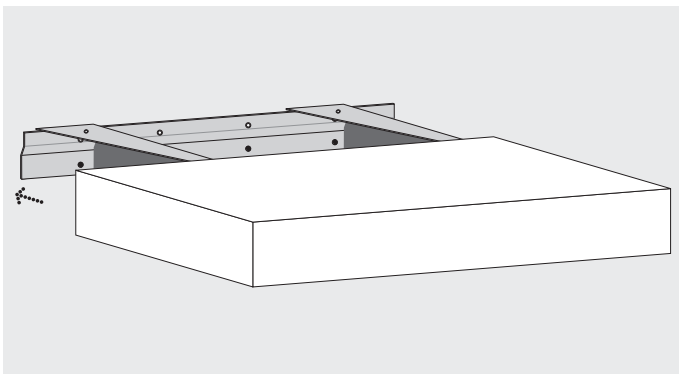
**2** Mark and predrill holes for relevant screw application. Depending on the wall structure.



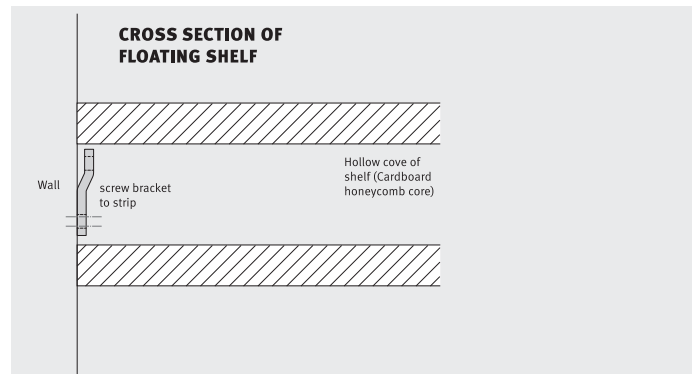
**3** Position brackets as close as possible to fixing points to maximise load capacity.



**4** Clip in position and fix screws into top fixing holes.



**5** Ensure EL50 bracket position is centred to the shelf where possible. Push shelf firmly into position.



**6** Fixing bracket (not included).

## INFORMATION

The assembly should be carried out by a qualified person due to the fact that wrong assembly can lead to that the furniture/object topples or falls resulting in personal injury or damage.

**NOTE!** Screws to fix the floating shelf to the wall are not included. Always choose screws and fittings that are specially suited to the material in your wall and have sufficient holding power. If you are uncertain, contact your retailer.