



AP-5GB92290AU

90cm Black glass cooktop

Features & Benefits

Easy Cleaning

Removable pot support and burner for easy access and glass surface for easy cleaning.

Durable

Stainless steel and cast iron trivets for a long lasting use.

One-Handed Operation

Burners can be activated or deactivated easily with slightest effort.

Safety Feature

Thermoelectric ignition fuse as protection against unintentional escape of gas.

Plug & Play

Australian standard electronic chord, just needs a power point to operate.

Cooking Zones

5 zones that can be simultaneously used: 1 triple sabaf burner; 2 standard sabaf burner; 1 economy sabaf burner.

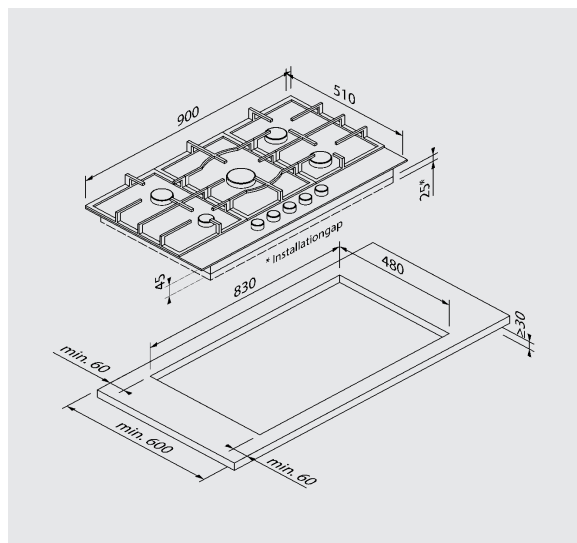
Display and Controls

5 dial knobs for each burner. Control knobs are located in front of the device. No residual heat display.

Energy Source

Natural gas (preset); can be converted to liquid gas.

Specification



Dimensions

Installation dimensions:

(H/W/D) 45mm x 560mm x 490mm

Device dimensions: (H/W/D)

90mm x 590mm x 510mm

Min. worktop thickness:

30mm

Connecting cable: 100cm

Environment and safety

- Thermoelectric ignition fuse (protection against unintentional escape of gas)
- Preset to natural gas (20mbar)

Connection

- Power consumption (W): 2
- Gas connected load (W): 11.44 kW (41.2MJ/h)
- Fuse protection (A): -Voltage (V): 220-240
- Frequency (Hz): 50 - 60
- Device colour: Black tempered glass
- Energy source: Gas
- Type of gas: Natural gas G20 10mbar
- Alternative gas type: Liquid gas G31 27.5mbar
- Approval certificates: IAPMO+SAA