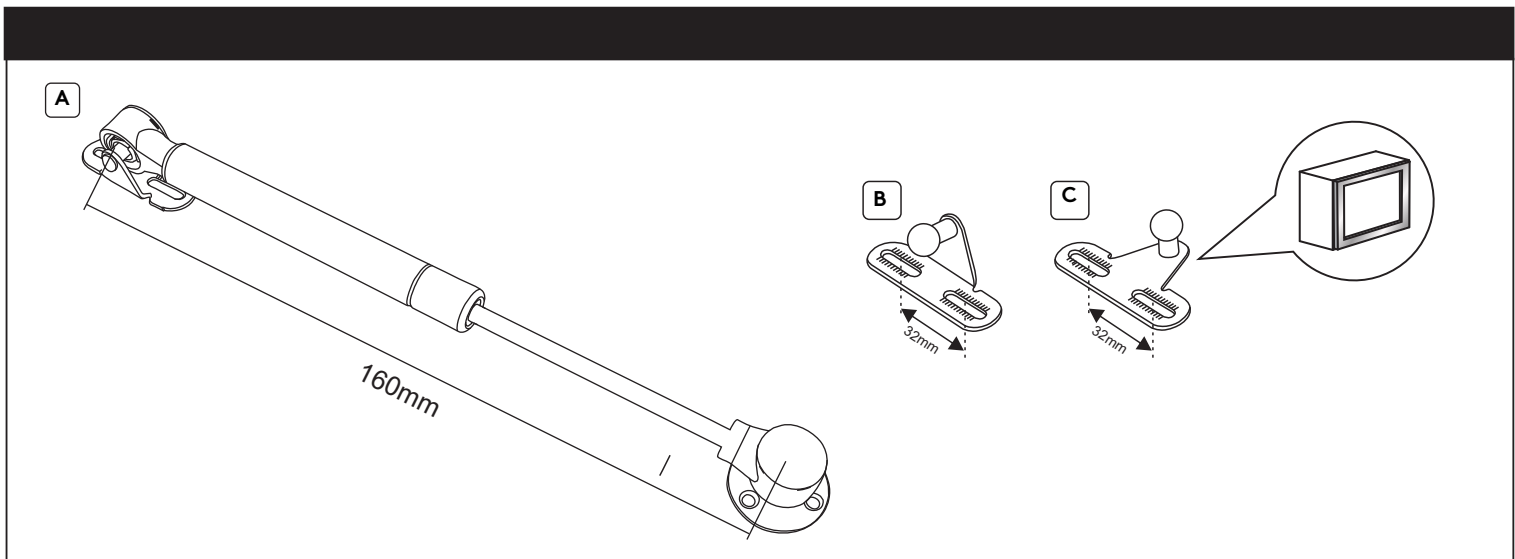


75 degrees		90 degrees		110 degrees	
Length	60N	Length	60N	Length	60N
300mm	2.3 kg	300mm	2.0 kg	300mm	1.8 kg
400mm	1.7 kg	400mm	1.5 kg	400mm	1.4 kg
500mm	1.4 kg	500mm	1.3 kg	500mm	1.1 kg
600mm	1.2 kg	600mm	1.1 kg	600mm	1.0 kg



Mounting dimensions tables

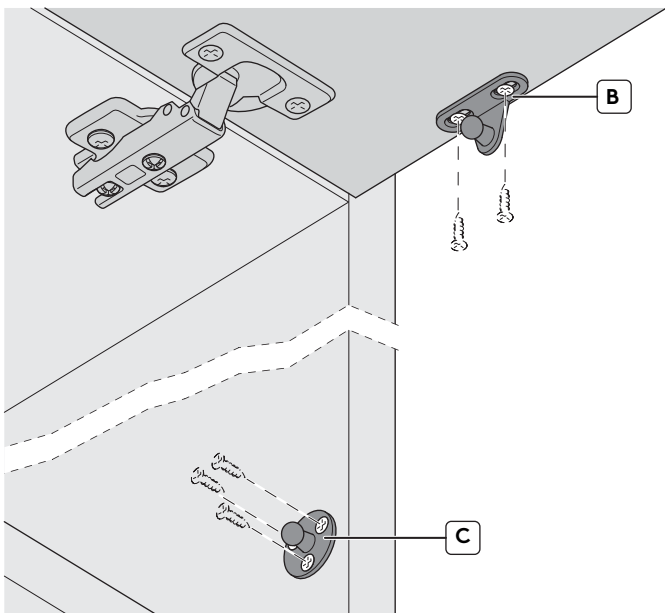
Mounting Dimensions	Dim.	X	Y	Z
Overlay				
Full Overlay		25	155	42

Mounting Dimensions	Dim.	X	Y	Z
Overlay				
Full Overlay		25	150	37

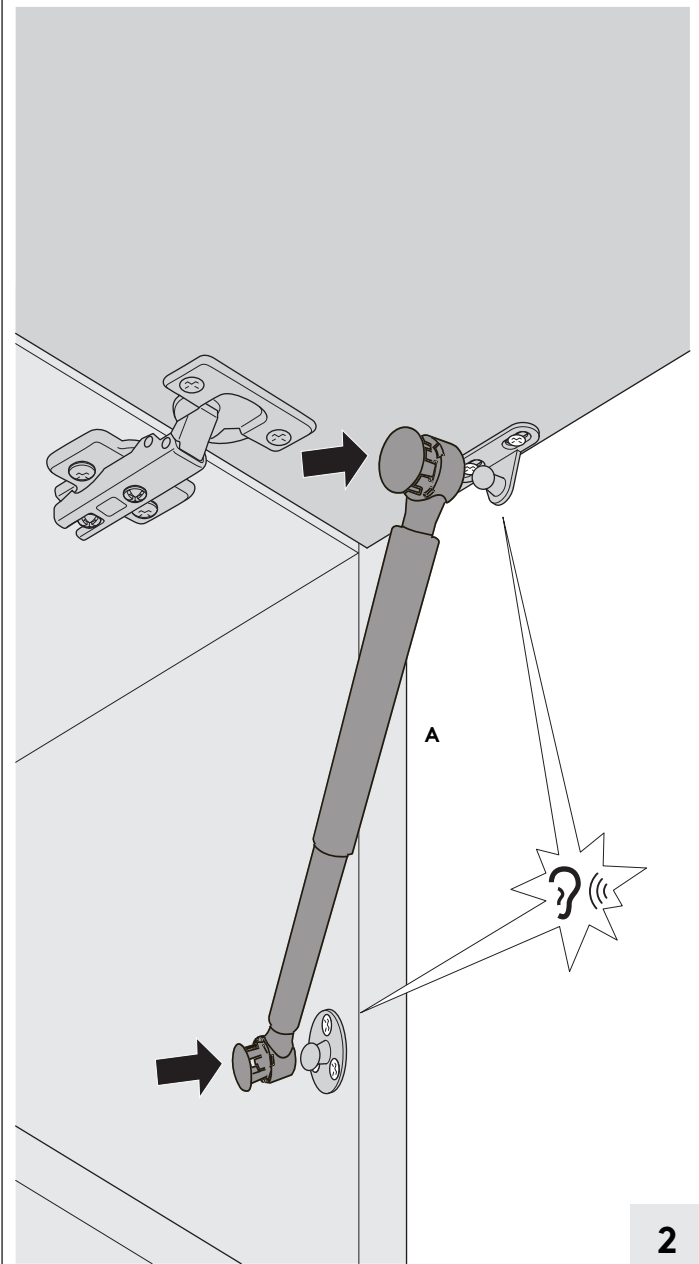
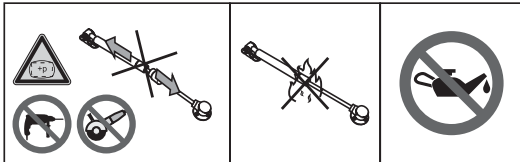
Mounting Dimensions	Dim.	X	Y	Z
Overlay				
Full Overlay		25	145	30

Note
It is recommended to use 2 gas spring for parallel and synchronized opening action of large lids.

Installation



1



2