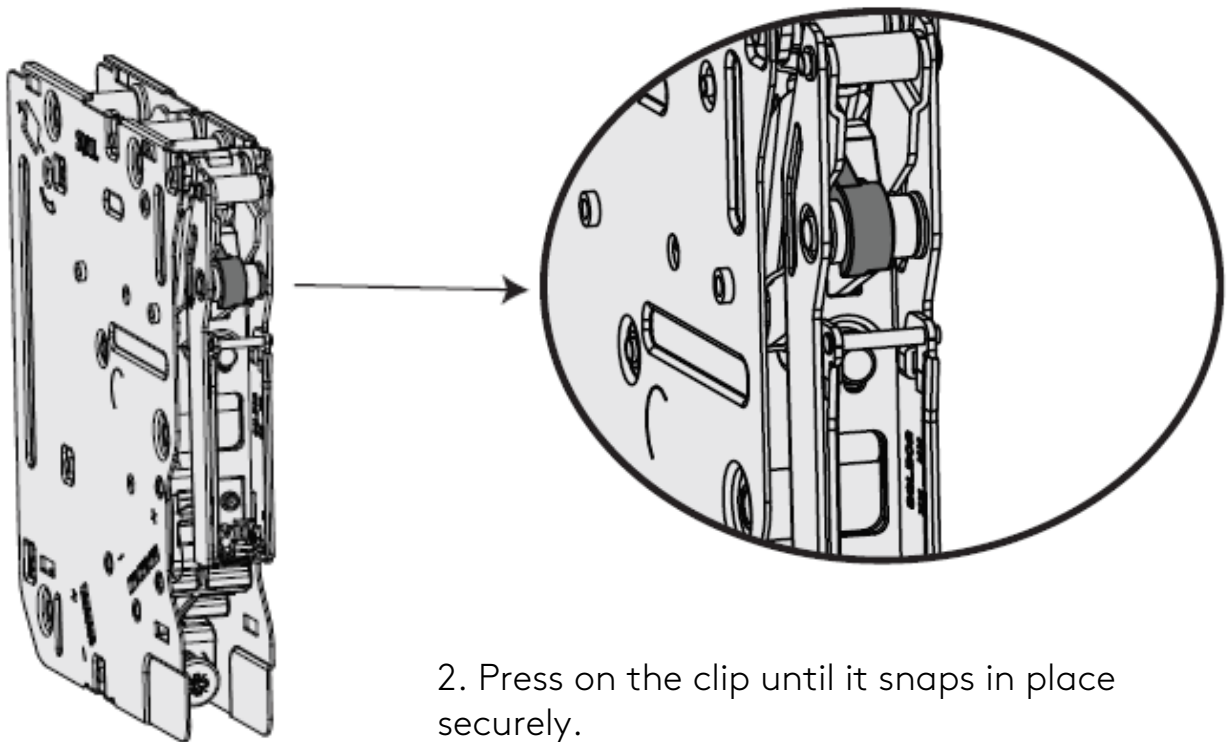


1. Insert the angle restriction clip into the bottom of the lift arm above the large cylinder.



2. Press on the clip until it snaps in place securely.