

NARROW SPICE / BOTTLE DRAWER

When a kitchen design requires a narrow cabinet to be placed, a narrow spice drawer configuration makes the most of the small space and optimises convenience and storage capacity.



SKU	Description	Module
HQ450A150Z01	PURE PRO SPICE/BOTTLE 150MM DRAWER GREY MATT	SUITS 150MM MODULE 450MM DEEP
HQ10074450-85	PURE PRO SPICE/BOTTLE DIVIDER LOW GREY MATT	SUITS HQ450A150Z01 TOP DRAWER
HQ10075450-85	PURE PRO SPICE/BOTTLE DIVIDER HIGH GREY MATT	SUITS HQ450A150Z01 BOTTOM DRAWER

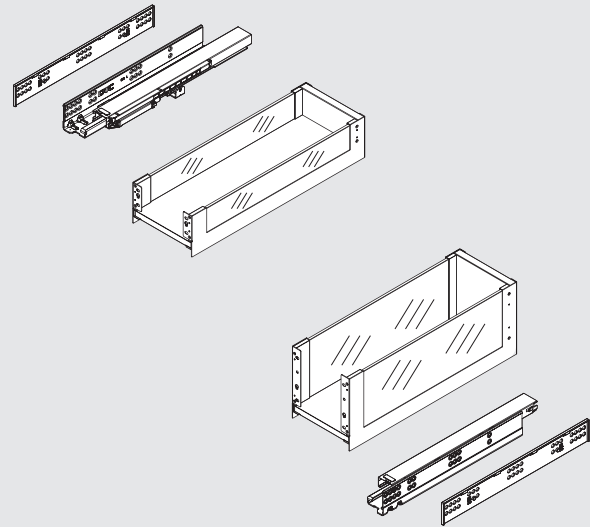


features

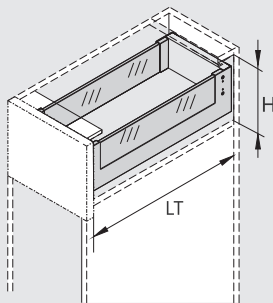
- Suit 150mm cabinet width
- Concealed, full extension runners
- 40kg load capacity
- Soft closing
- Silent system guarantees smooth run without noise
- 3D adjustment (side, height and tilt)
 - > Left/right adjustment ± 1.5 mm
 - > Up/down adjustment ± 2 mm
 - > Tilt adjustment $+1.5, -2.5$ mm
- Grey matt finish



CONFIGURATION



SPACE REQUIREMENT

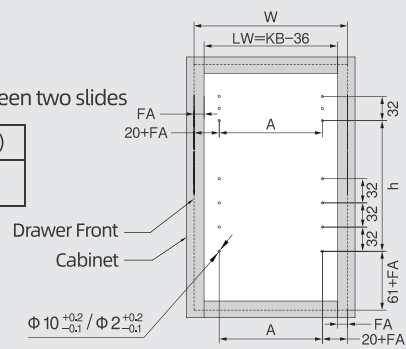


LT = Internal cabinet depth
 Minimum LT = 453mm
 H = Internal drawer height
 H (Top drawer) = 198mm
 H (Bottom drawer) = 273mm

Drawer Front Dimensions (mm)

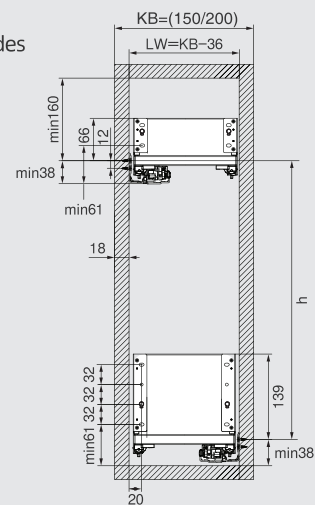
LW = Internal cabinet width
 FA = Overlay = (W-LW)/2
 W = Drawer front width
 h = Fixing hole distance between two slides

A	Installation width(KB)
74	150-199

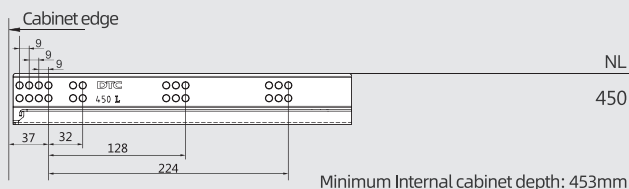


Installation Dimensions (mm)

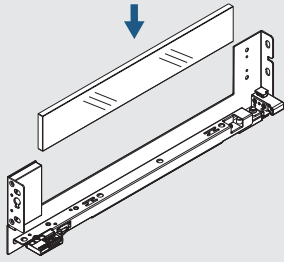
LW = Internal cabinet width
 KB = Cabinet width
 h = Fixing hole distance between two slides



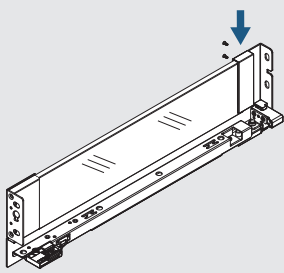
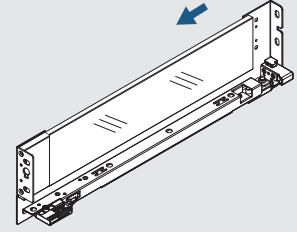
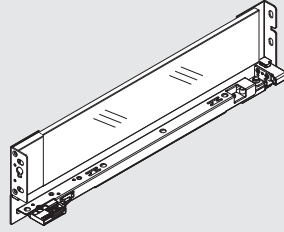
Screw Positions of the Slides (mm)



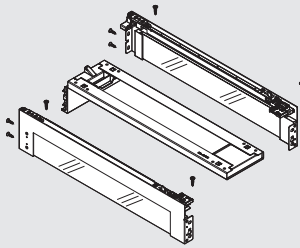
Assembly



Insert glass-boxside



Fix rear cover on drawer side



Assemble and fix screws

