



AP-5IE64252AU

60cm Induction Cooktop

Features & Benefits

Easy Cleaning

Frameless, flush installation to reduce cleaning surface. Glass top means a regular kitchen surface cleaner should be enough.

Efficiency

Pot detection switching for less panel operation. Cooking zone booster for quick heating.

Cooking Assist

Timer and countdown function available.

Stylish Design

Sleek glass look in black colour that suits any modern style.

Space Saving

Flush installation integrates the surface for a wider workstation space. Slim and flat design requires less space for installation.

Safety Feature

Child lock and residual heat indicators on each zone to avoid accidents. Time limitation and overflow detection turns off the appliance when unmonitored.

Multiple Cooking Zones

4 zones that can be simultaneously used with 10 power levels

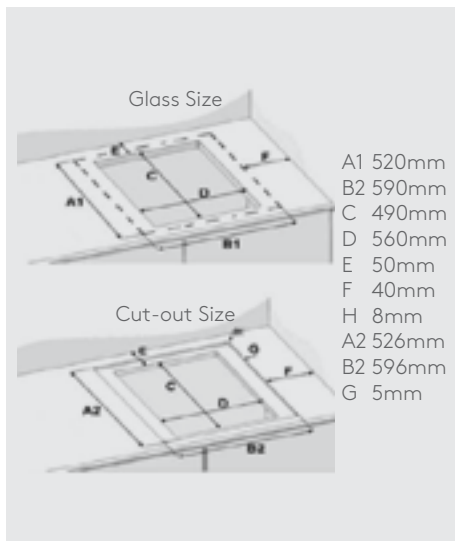
Display and Controls

Touch control panel with red LED display located in front. Power levels are controlled by slider. Multi control feature to connect via bluetooth.

Energy Source

Electricity

Specification



Dimensions

Appliance:
H52 x W590 x D520mm
Installation:
H52 x W560 x D490mm

Material

Surface: Glass ceramic

Weight

Net: 9.38kg
Gross: 10.23kg

Type

Built-in, frameless induction hub

Finish

Black

Cooking Zone Power (+Booster)

1 zone Ø 155mm
- 1.4kW (2.1kW)
1 zone Ø 155mm
- 1.4kW (1.85kW)
2 zones Ø 215mm
- 2.3kW (3kW)

Control

Touch control panel located in front
Pot detection
Multi-control

Display

Red LED digital display
Residual heat indicator

Connection

- Voltage: 220-240 V
- Total connected load: 7.4kW
- Frequency: 50/60 Hz
- Device color: Black
- Energy Source: Electric
- Approval certificates: CE
- Length of connection cable: 110cm
- Plug type: without plug
- Minimum distance from counter front: 50 mm
- Minimum distance from rear wall: 50 mm
- Minimum worktop thickness: 16mm

Accessories

