

nikpol™

Four-Sided Drawer

Installation Instruction

Characteristics

- Aluminium containment profile
- Two full extension slides
- Soft closing
- Quick release mechanism
- 450, 600 and 900mm module
- Suitable for 18 mm carcass



nikpol™

Four-Sided Drawer

Installation Instruction

Four-Sided Drawer

Code	Dimensions	Module
VIBO221689	414 x d468 x h146.5mm	450mm
VIBO221696	564 x d468 x h146.5mm	600mm
VIBO221702	864 x d468 x h146.5mm	900mm

Requirements



15 mins



Phillips Head



1 worker

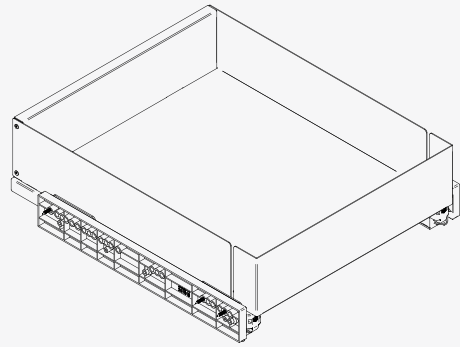


15mm Spanner

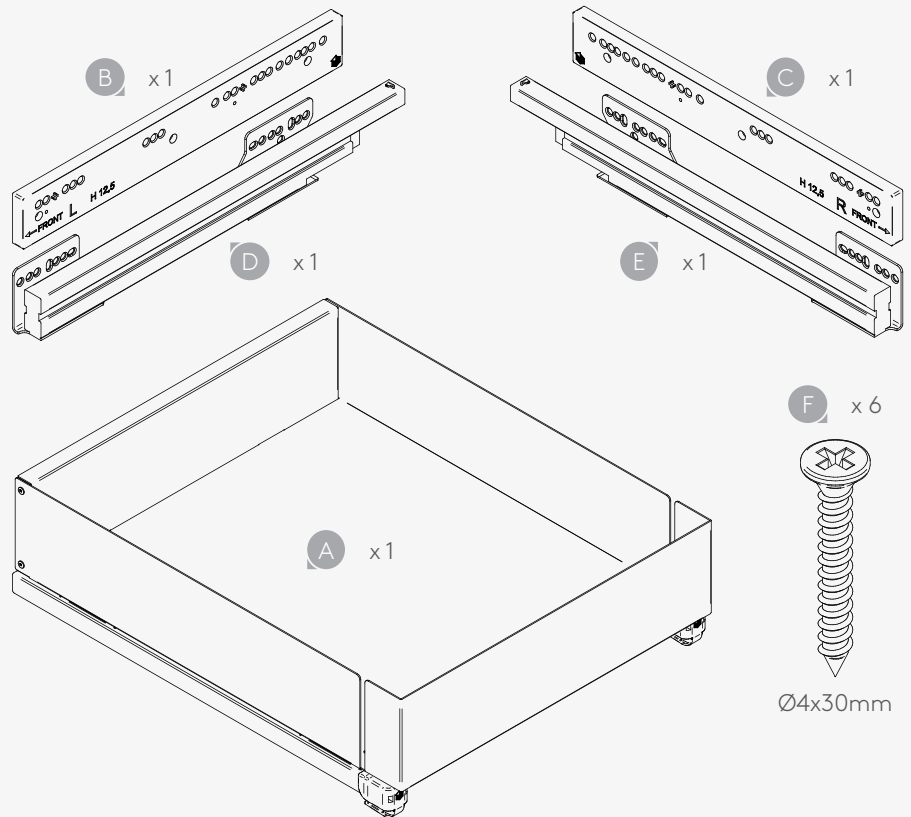
Shelf Loading Capacity



30kg
Maximum
Overall Load



Parts

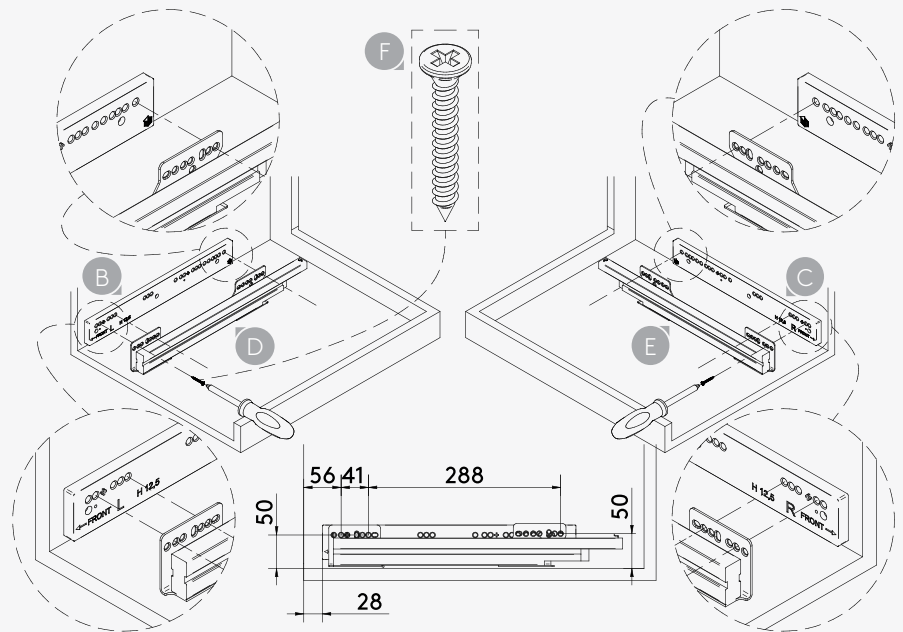


nikpol™

Four-Sided Drawer

Installation Instruction

Assembly: Step 1



Assembly: Step 2

