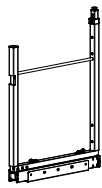

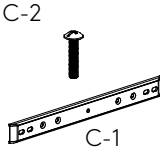
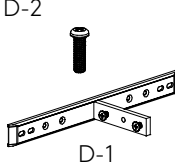
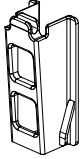
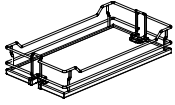
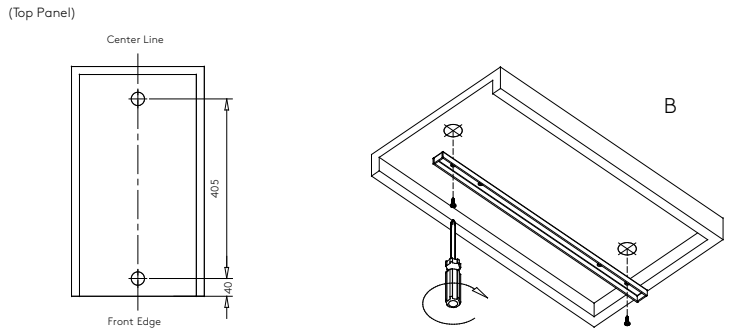
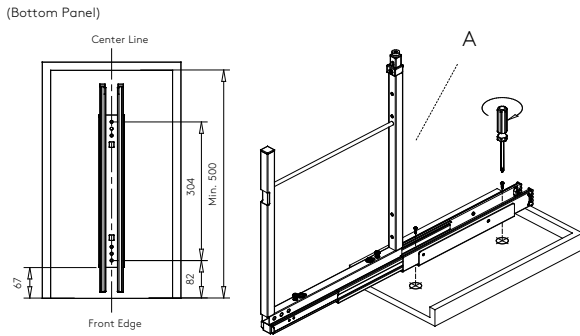


Ax1set	Bx1pc	Cx1pc	Dx1pc	Ex4pcs	Fx2pcs
					

STEP 1: a) Mark central line and point out screw hole positions on bottom panel for bottom unit (A).  
b) Screw bottom unit (A) to bottom panel

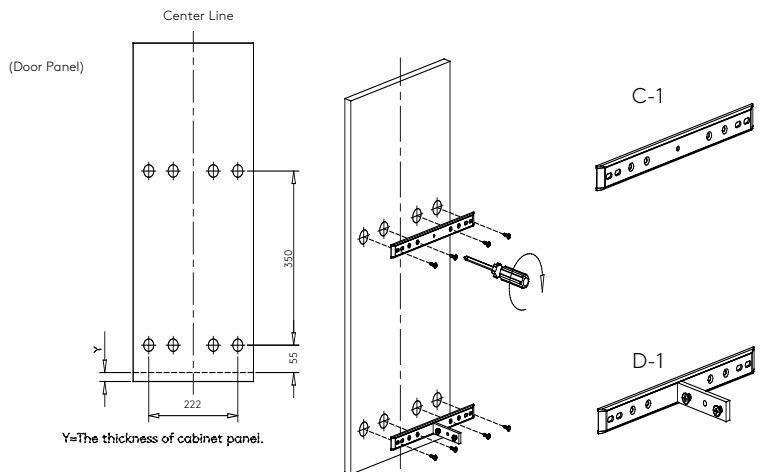
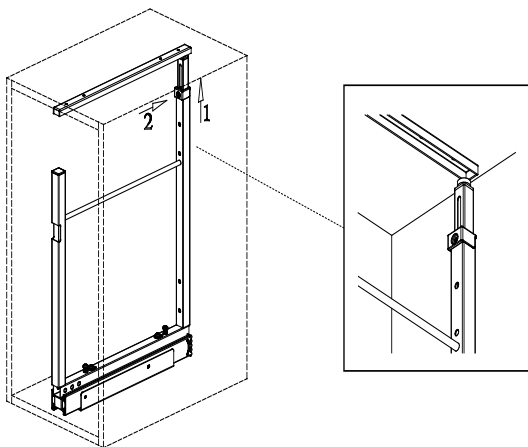
STEP 2: a) Mark central line with screw hole positions on top panel.  
b) Screw top channel (B) to top panel.



STEP 3: a) Pull adjustable rear frame up to top channel  
b) Fasten the screw on rear frame to have final height position.

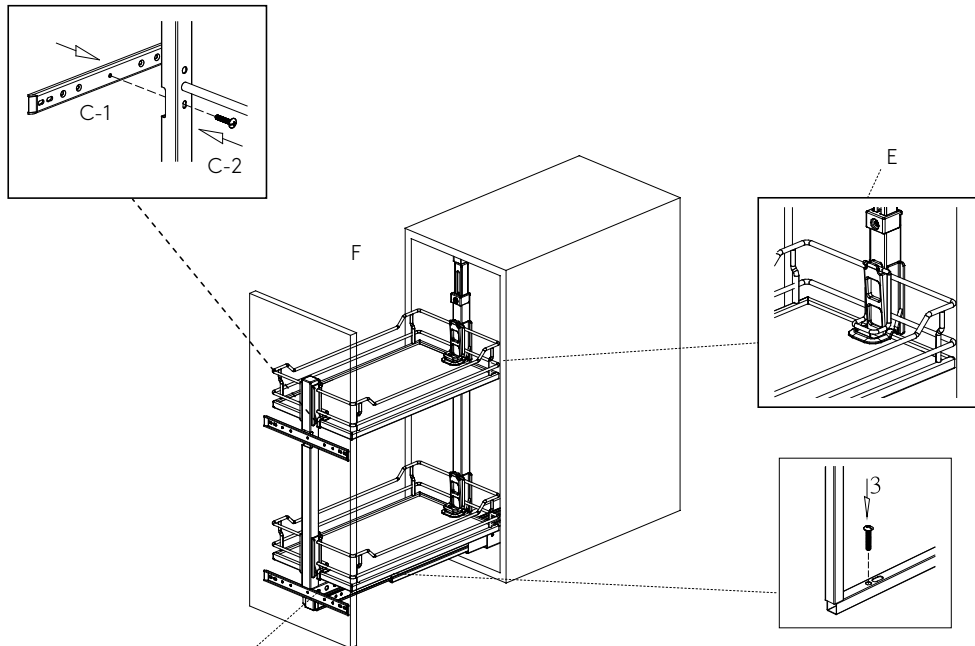
**Panel Door Type:**

STEP 4: a) Mark center line and screw hole positions on door panel for two T-Bar (E).  
b) Fasten two T-Bar to door panel as drawing on below..

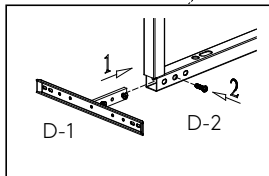


STEP 5:

- a) Insert the screw on top T-Bar through key hole of front tube, then fasten the screw to frame.
- b) To adjust the door's lateral or horizontal position, loosen or tighten the screw set on bottom of T-Bar.
- c) To adjust the door's vertical position to use 2 adjustment bolts attached on bottom of frame.
- d) Using enclosed plastic clip (E) insert to pre-drilled holes in frame to get desired heights of basket.



To adjust the door on vertical level.



To adjust the door on lateral level.

**OR**

**Hinge Door Type:**

For Hinge Door Type, , drawing shows on below

