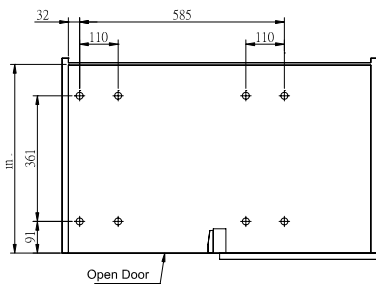


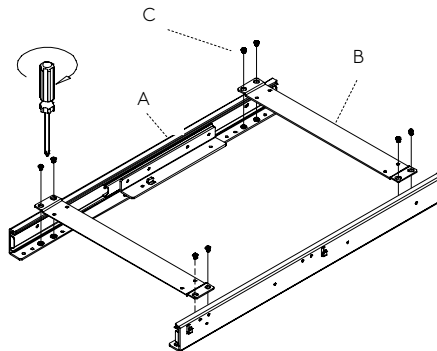
Bottom slide		Q'ty	Slide connector		Q'ty	Screw		Q'ty	L frame		Q'ty	Soft-close kit		Q'ty
A		1pair	B		2pcs	C		10pcs	D		1pc	E		1pc
Screw for soft-close kit		Q'ty	Big pull-out frame		Q'ty	Small pull out frame		Q'ty	Screw		Q'ty	Handle		Q'ty
F		2pcs	G		1pc	H		1pc	I		16pcs	J		2set
Screw for L frame		Q'ty	Pull-out guarder		Q'ty	Door bracket		Q'ty	Big basket		Q'ty	Big basket		Q'ty
K		4pcs	L		1pcs	M		2pcs	N		2pcs	O		2pcs

Step 1: Mark screw holes position on bottom board of cabinet.

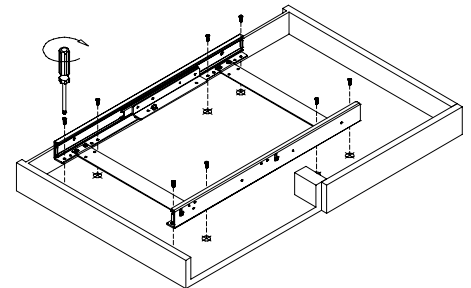
Left open door



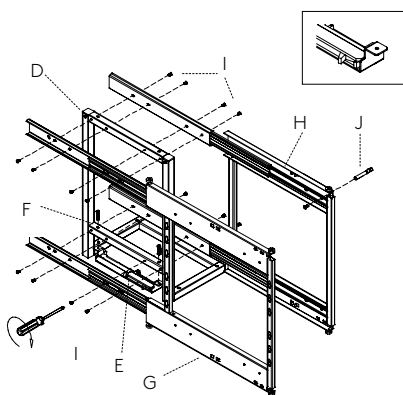
Step 2: Connect two bottom slides by bracket "B" to become bottom slide set.



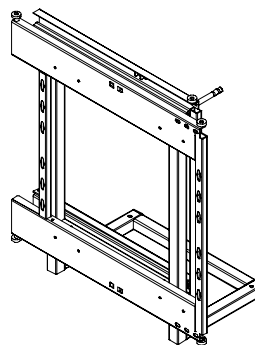
Step 3: Screw bottom slide set on bottom board of cabinet.



Step 4: Assembling the pull-out frame with L frame. Starting from soft-close kit first.

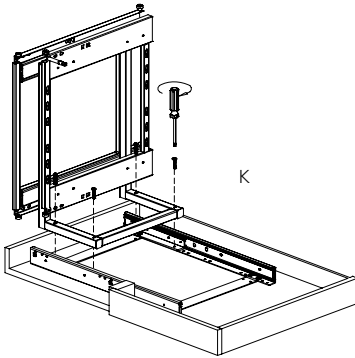


Make sure soft-close kit is on open position.

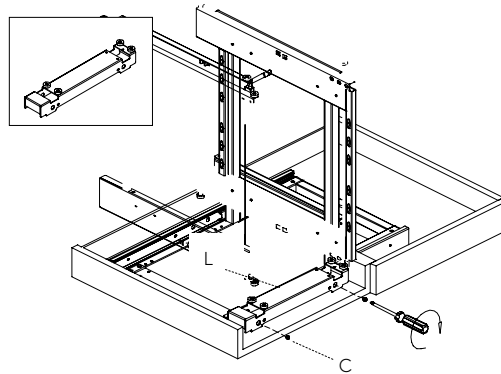


Finished main frame for left open door

Step 5: Screw main frame together with bottom slide set by 4 screws "K".

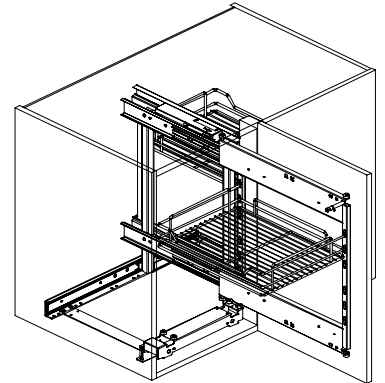


Step 6: Move main frame to right and screw pull-out guarder on bottom slide set.

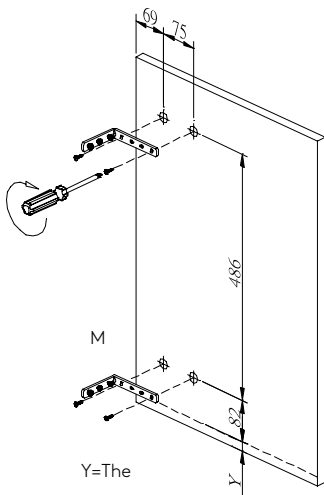


Step 7A : Apply to hinge door

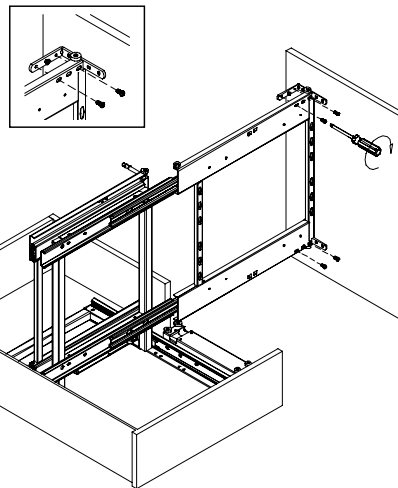
Finished



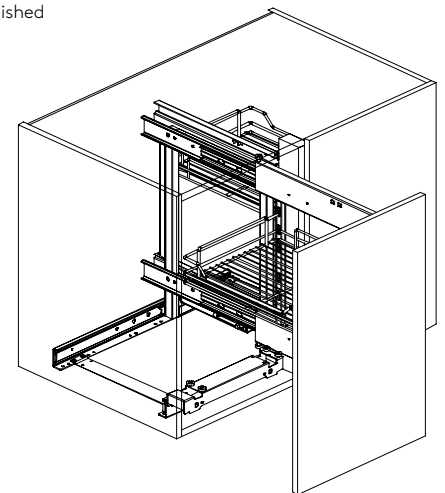
Step 7B: Apply to panel door



Y=The thickness of cabinet panel.



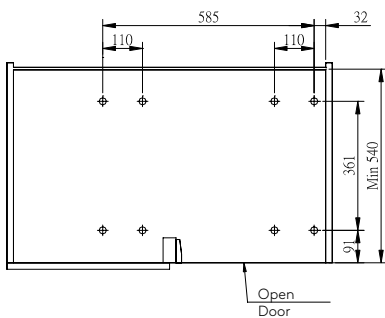
Finished



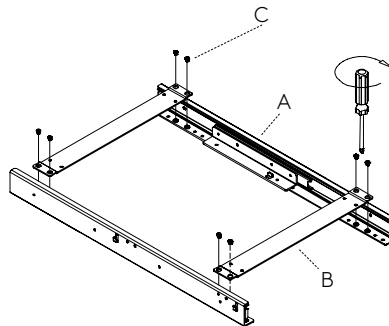
Bottom slide	Q'ty	Slide connector	Q'ty	Screw	Q'ty	L frame	Q'ty	Soft-close kit	Q'ty
A	1pair	B	2pcs	C	10pcs	D	1pc	E	1pc
Screw for soft-close kit	Q'ty	Big pull-out frame	Q'ty	Small pull out frame	Q'ty	Screw	Q'ty	Handle	Q'ty
F	2pcs	G	1pc	H	1pc	I	16pcs	J	2set
Screw for L frame	Q'ty	Pull-out guarder	Q'ty	Door bracket	Q'ty	Big basket	Q'ty	Big basket	Q'ty
K	4pcs	L	1pcs	M	2pcs	N	2pcs	O	2pcs

Step 1: Mark screw holes position on bottom board of cabinet.

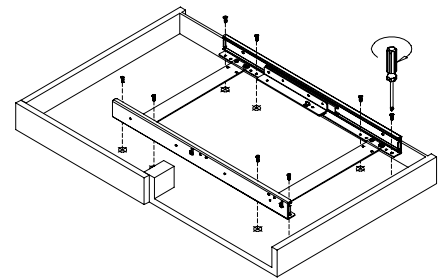
Right open door



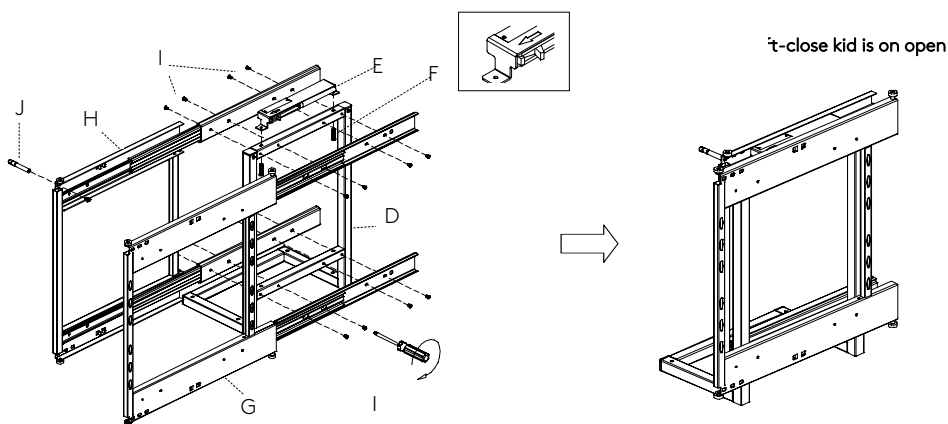
Step 2: Connect two bottom slides by bracket "B" to become bottom slide set.



Step 3: Screw bottom slide set on bottom board of cabinet.

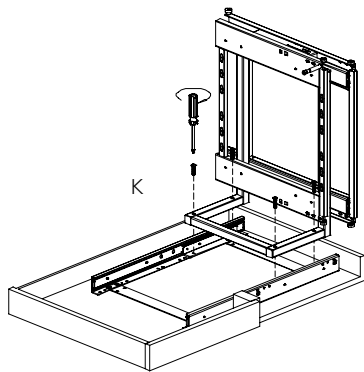


Step 4: Assembling the pull-out frame with L frame. Starting from soft-close kit first.

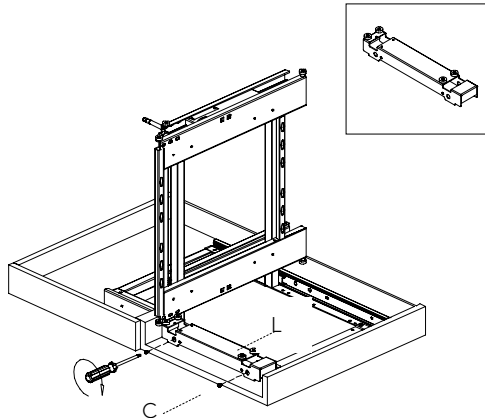


Finished main frame for right open door

Step 5: Screw main frame together with bottom slide set by 4 screws "K".

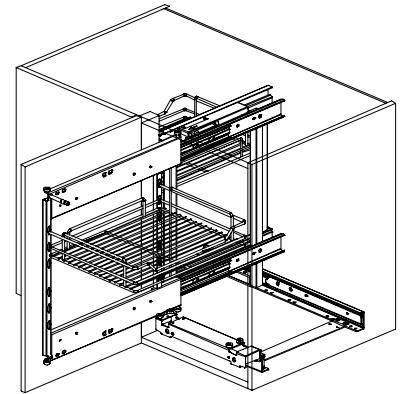


Step 6: Move main frame to right and screw pull-out guarder on bottom slide set.

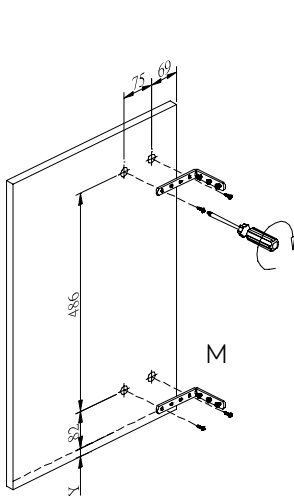


Step 7A : Apply to hinge door

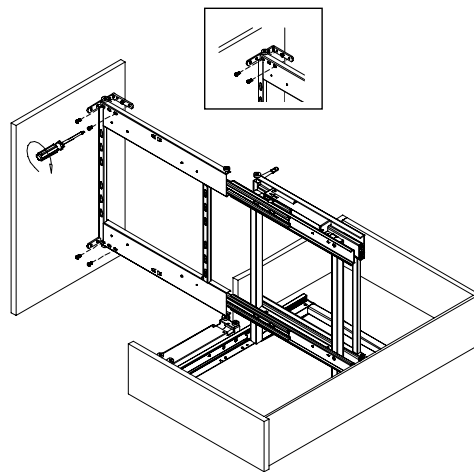
Finished



Step 7B: Apply to panel door



Y=The thickness of cabinet panel



Finished

