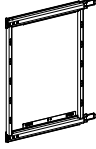
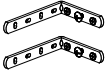
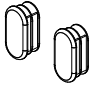
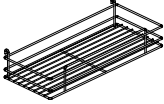
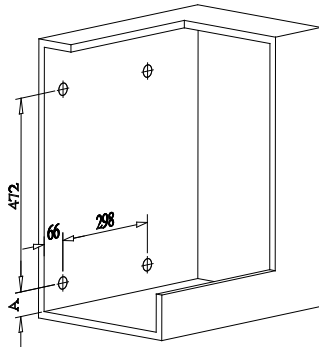


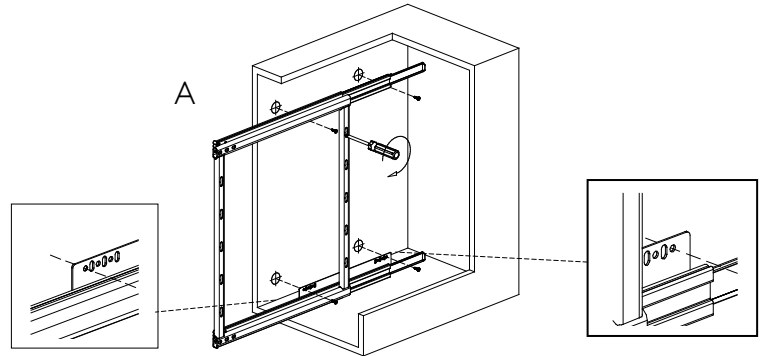
A*1set	B*2pcs	C*2pcs	D*3pcs
			

Step 1:

A=Min. 60mm



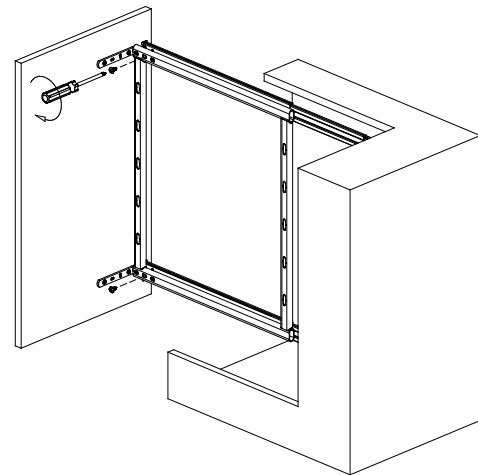
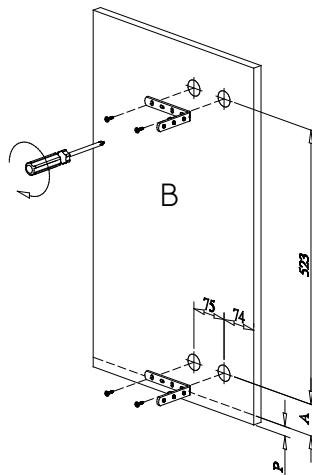
Step 2:



Step 3:

(Door Panel)

P=The thickness of cabinet panel.



Finish

