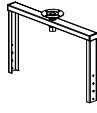
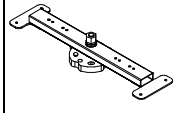
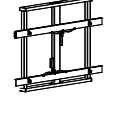
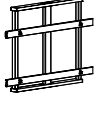
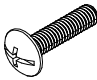

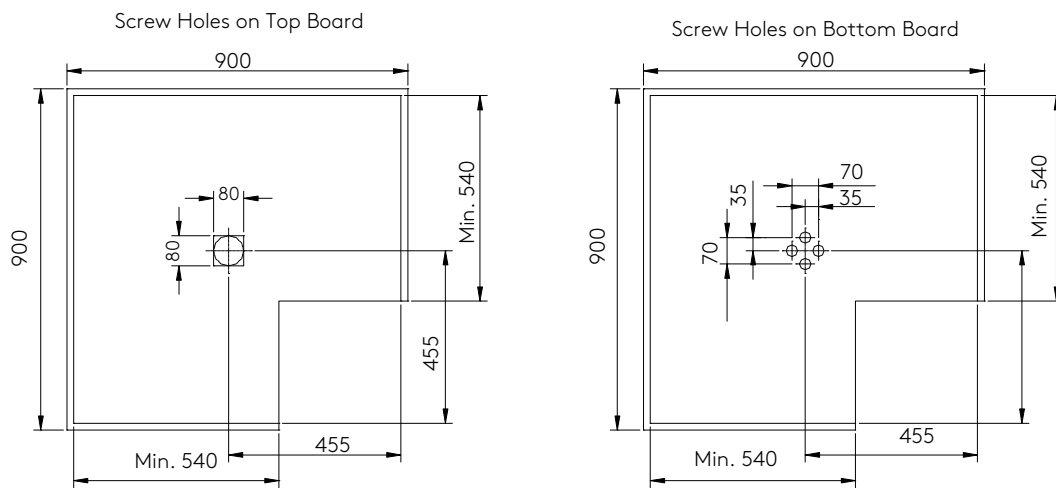


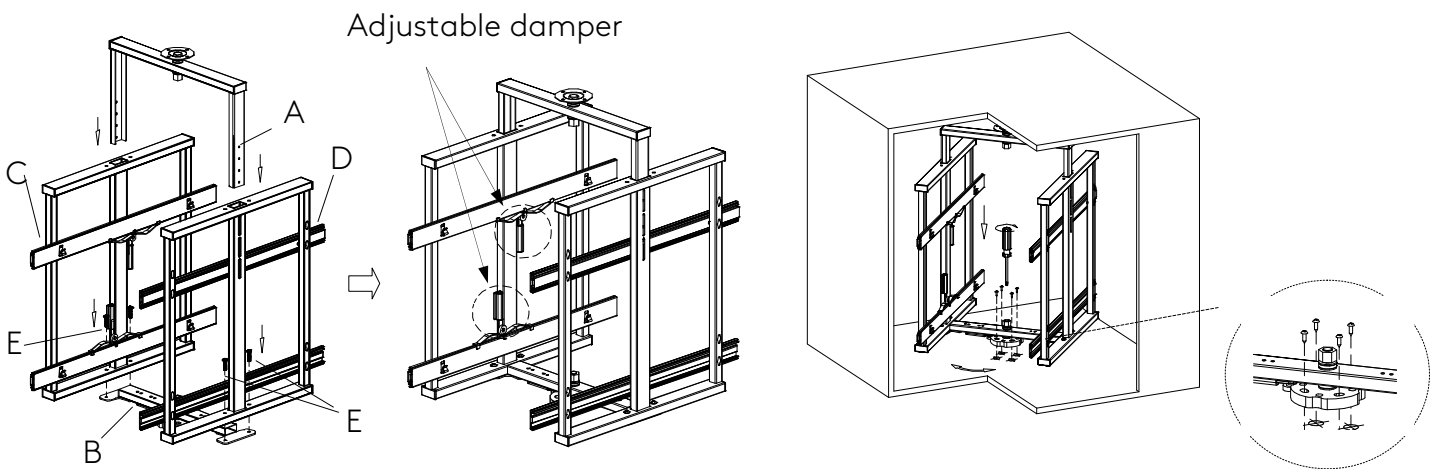
	Type	Q'ty		Type	Q'ty		Type	Q'ty		Type	Q'ty
A		1pc	B		1pc	C		1pc	D		1pc
E		4pcs	F		4pcs						

Step 1: Use attached pattern to find out the screw holes for mechanism.

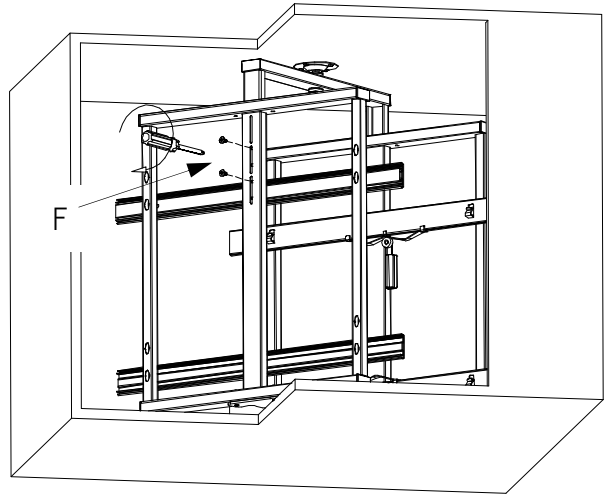
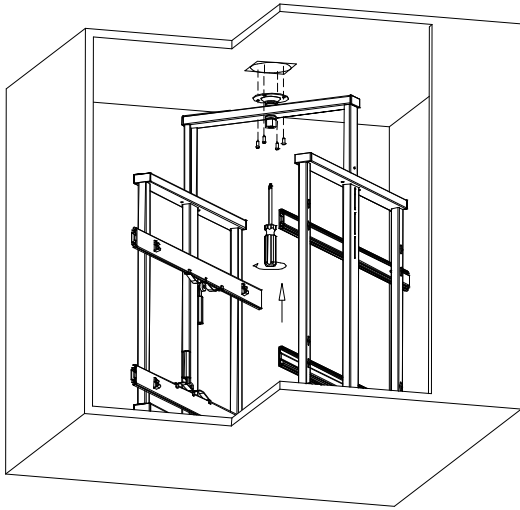


Step 2: Assembling

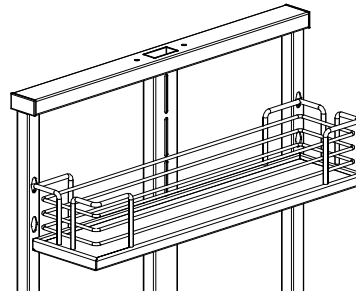
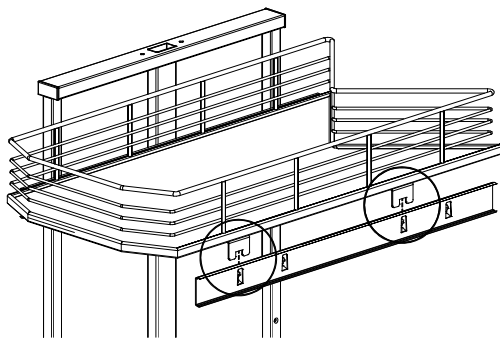
Step 3: Screw the revolving base on bottom of cabinet.



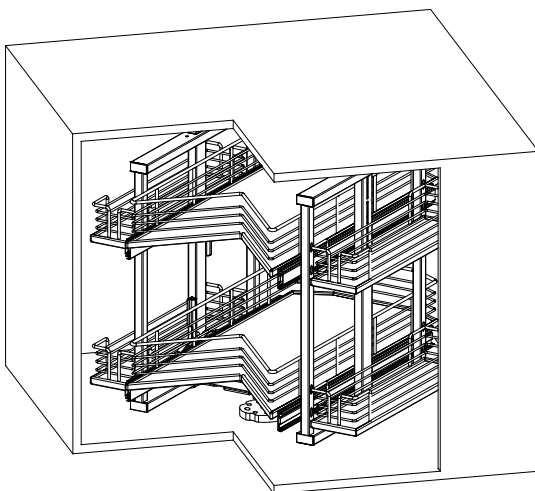
Step 4: Pull the adjustable frame to top of cabinet, use screw F to fix A and C and D.



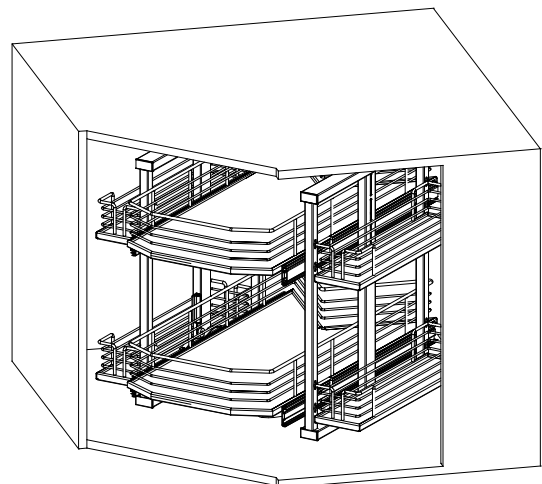
Step 5: Clip on basket.



Step 6: Finished



Pie-Cut type



Full-Round type