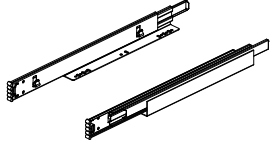
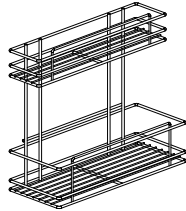
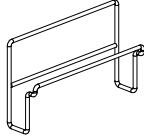
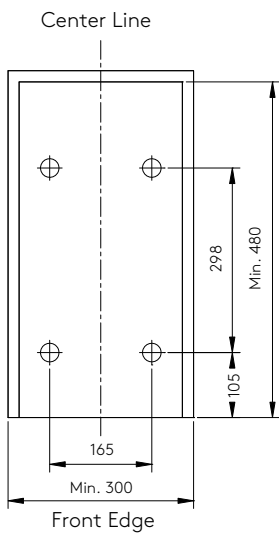
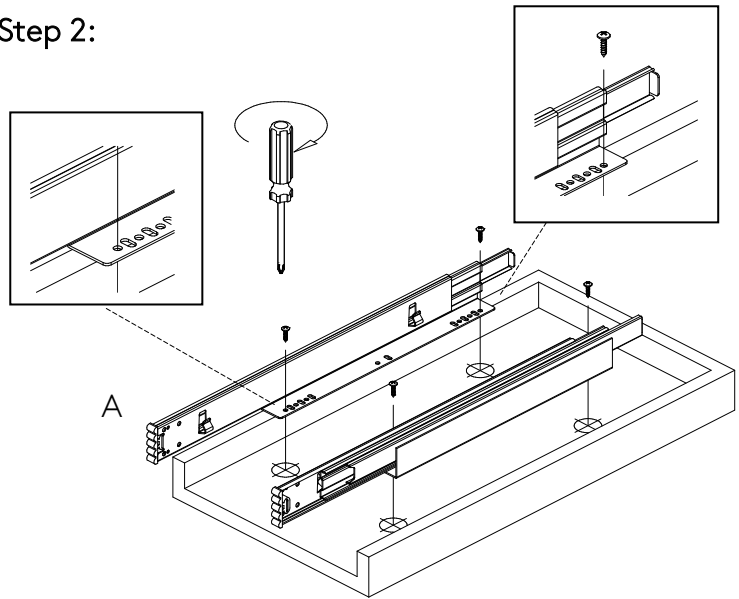


A*1pair	B*1pc	C*1pc
		

Step 1:



Step 2:



Finished

