



**G\*GRASS®**

## VIONARO DRAWER SYSTEM

The cubist drawer system with a minimalist design combines the Dynapro slide system with a luxury look.





Perfect design needs no more than 13 millimetres.  
Vionario – the slim-line classic design of tomorrow.

**A constant reminder. Make sure your customers don't forget you.**

We integrate your logo discreetly but noticeably into the stylish Vionario drawer side design.

You have the choice between durable and abrasion-resistant laser branding and a branding clip. This is a slim-line plastic clip in three colours that is easily added.



A clear form, a slim-line design and the highest quality materials – the pure elegance of Vionaro makes furniture look equally good in the kitchen, living room and bedroom.



**Stylishly confident selection.**

The elegant Vionaro drawer side is available in the colours snow white, silver grey and graphite.

**Vionaro is a source of inspiration for living trends.**

When you open the innovative Vionaro drawer system you are standing in front of a movement system vision that has come to life. Two purist twin-wall drawer sides made of steel, a back panel and a front. That's it. It's hard to imagine more lightness and awareness. It means that furniture design can be reinvented every day. Sensual surfaces. Breathtaking linearity. Technology that has proven its worth millions of times over. Vionaro sparks the enthusiasm of designers and end users alike.



**reddot award 2014  
winner**

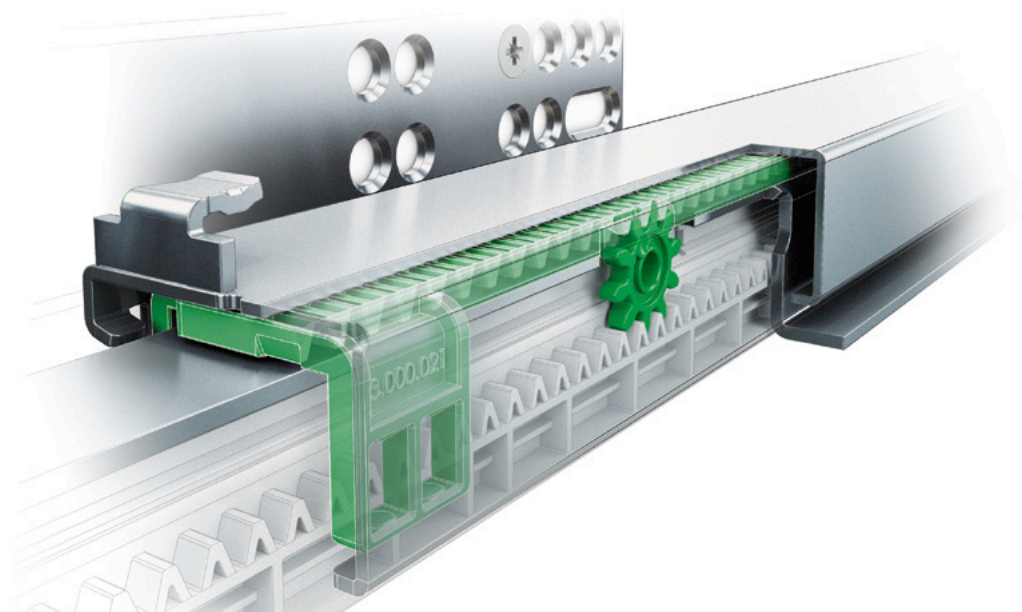




Compact and cleverly designed.  
A smart solution. Vionaro features  
the best of Dynapro.

**Cleverly attached.**

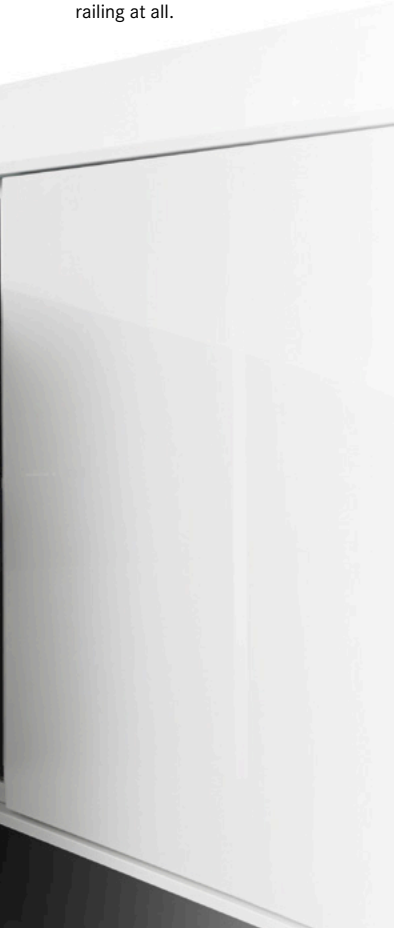
A slide for wooden drawers as well as Vionaro in steel. With Dynapro, the track-proven GRASS concealed slide, Vionaro uses the same basis previously employed for wooden drawers.





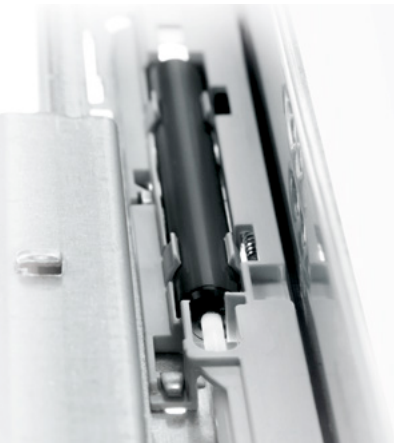
**Intelligent front holder.**

Systematic stability: The front stabiliser integrated into the Vionaro drawer side permits the installation of high fronts up to 780 mm – without any railing at all.



## VIONARO DRAWER SYSTEM

With Vionaro a superlative movement system makes its appearance on the stage of living and kitchen spaces – a logical consequence in the consistent development of pioneering GRASS solutions.



Vionaro combines the concealed slide system with perfected design in an extremely slim-line form. In this way it was possible to turn the red dot award winner Dynapro into a multifunctional system solution; when combined with Vionaro the synchronised concealed slide system with its high bearing capacity and low extension resistance becomes an ideal drawer system for modern living environments.

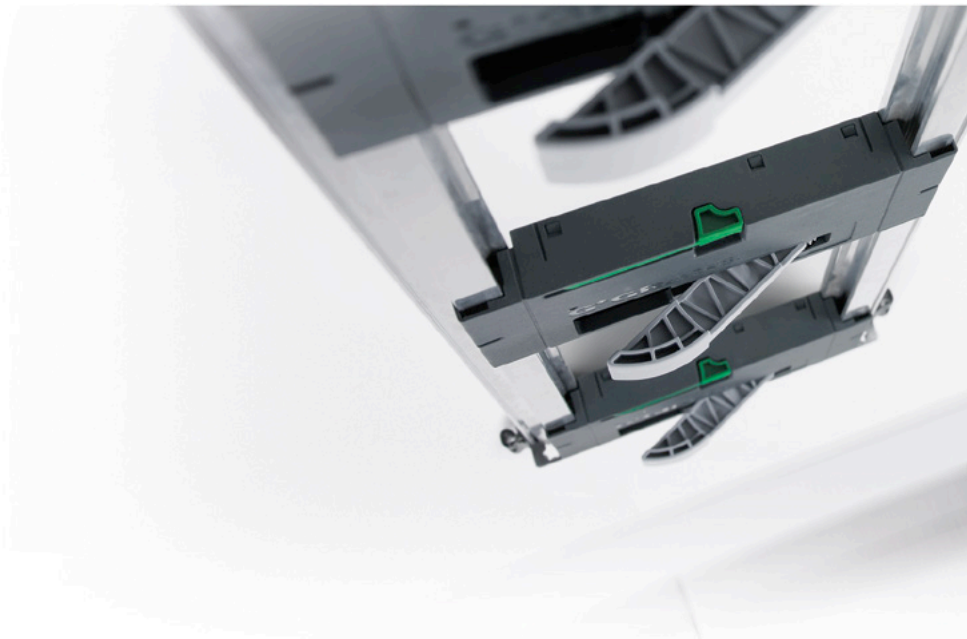
**Vionaro combines functional technology with perfect form.**



Good to know the movement is not only technically functional, but also extremely comfortable. Opening and closing is an experience every time.

It was never easier to open drawers. And it was never more satisfying to close them. The GRASS comfort systems and our movement solutions complement each other to form a harmonious multi-functional unit. We want to combine the advantages of handle-free opening with the elegance of damped closing, as the combination of these exceptional functions guarantees the highest possible level of operating comfort.

**It's good to find things that were simply made for each other.**



**TIPMATIC**  
OPENING SYSTEMS

Mechanical opening of regular and pot drawers.

Tipmatic offers optimum design options for stylish designer furniture. The touch-activated mechanism and synchronisation option enables the installation of large, handle-free fronts that open when gently tapped.

The new Tipmatic Soft-close opening system combines the advantages of mechanical opening with the comfort of the track-proven Soft-close damping, and with the 3-stage opening force adjustment ensures elegant motion irrespective of the weight and size of the furniture fronts.



**SOFT-CLOSE**  
DAMPING SYSTEM

With the GRASS Soft-close damping concept, each movement becomes an experience. Because closing drawers with Soft-close is something special. Soft-close gently slows the fronts and pulls them to the fully closed position.

**With the very low pull-out forces, slender handles are also possible.**

**SENSOMATIC**  
OPENING SYSTEM

Electro-mechanical opening of drawers for maximum operating comfort.

Action. Reaction. Interaction. Comfort cannot be more fascinating. Thanks to Sensomatic's automatic touch-sensitive function, a gentle trigger is enough to initiate the movement of regular and pot drawers with handle-free fronts.







Cleverly designed down to the last detail.  
For optimum processing convenience.

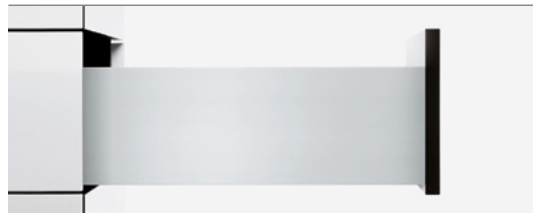
Our passion for first-class workmanship is evidenced in the detail. The drawer sides can be easily connected to the bottom panel with the unique patented GRASS knock-in spike technology – without the need for additional milled grooves. The back panels can be quickly and simply fitted with the back panel connection integrated into the drawer side. The easy-to-use 3D adjustment feature inside the drawer side as well as the optional depth adjustment ensures optimum front alignment.

**Discover the many special features that Vionaro has to offer.**



# VIONARO DRAWER SYSTEM

Vionaro – the cubist drawer system  
with a sleek, minimalist design.



## VIONARO DRAWER SYSTEM

**11**

The ideal form is simple and clear:  
Vionaro – the slim-line classic design of tomorrow.



## DYNAPRO TIPMATIC SOFT-CLOSE

**28**

Mechanical opening system  
for handle-free fronts.



## VIONARO SENSOMATIC

**51**

Electro-mechanical opening system  
for regular and pot drawers.



## DIVIDING AND ORGANISING SYSTEMS

**69**

Organising, dividing, fitting out –  
useful aids for organising storage space.

## ASSEMBLY TECHNOLOGY

**80**

Installation and assembly aids.  
Track-proven, tried and tested technology  
for professional efficiency.



Vionaro – perceptibly unique.  
Brilliant surfaces without any seams or grooves  
show that these super-slim drawer sides  
are made of a single section.

**The ideal addition.  
As compelling on the inside  
as on the outside.**

Contemporary design is continued  
on the inside. For example with the  
perfectly colour-coordinated aluminium  
front panel for the inset drawers with  
a side wall depth of 89 and 121 mm  
or the inset drawer with a height of  
185 mm. Visual harmony for even  
more storage space.





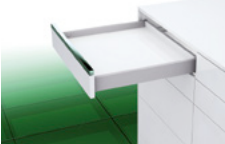
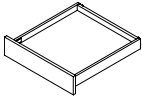
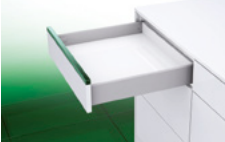
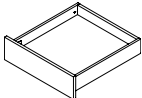
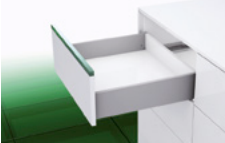
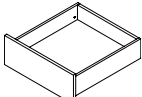
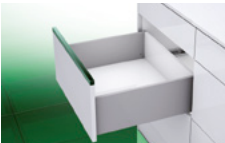
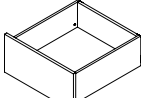
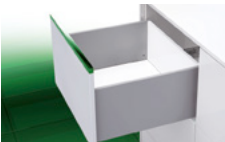
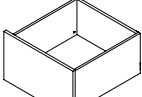


# VIONARO DRAWER SYSTEM


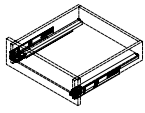
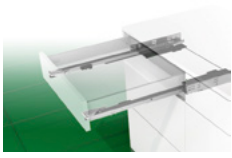
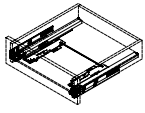
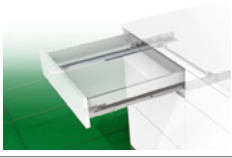
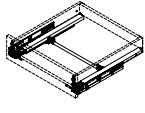

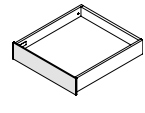
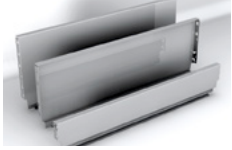
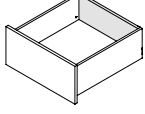
The ideal form is simple and clear:  
Vionaro – the slim-line classic design of tomorrow.

Product designation	Page
Drawer H63	14
Drawer H89	16
Drawer H121	18
Pot drawer H185	20
Pot drawer H249	22
Accessories – individual components	24
Dynapro full extension slide 40/70 kg Soft-close	26
Dynapro full extension slide 40/70 kg Tipmatic Soft-close	28
Dynapro full extension slide 40/60 kg Tipmatic	30
Inset panels	32
Steel back panels	40
Technical information	42
Assembly technology	80
Assembly aids	84

# VIONARO DRAWER SYSTEM

The ideal form is simple and clear:  
Vionaro – the slim-line classic design of tomorrow.

	Product description		Page
	<p><b>Drawer H63</b></p> <ul style="list-style-type: none"> <li>• 4-dimensional adjustment (side, height, tilt angle and depth adjustment)</li> <li>• 90° straight interior and exterior sides</li> <li>• Slim 13 mm drawer side width</li> </ul>		14
	<p><b>Drawer H89</b></p> <ul style="list-style-type: none"> <li>• 4-dimensional adjustment (side, height, tilt angle and depth adjustment)</li> <li>• 90° straight interior and exterior sides</li> <li>• Slim 13 mm drawer side width</li> </ul>		16
	<p><b>Drawer H121</b></p> <ul style="list-style-type: none"> <li>• 4-dimensional adjustment (side, height, tilt angle and depth adjustment)</li> <li>• 90° straight interior and exterior sides</li> <li>• Slim 13 mm drawer side width</li> </ul>		18
	<p><b>Pot drawer H185</b></p> <ul style="list-style-type: none"> <li>• 4-dimensional adjustment (side, height, tilt angle and depth adjustment)</li> <li>• 90° straight interior and exterior sides</li> <li>• Slim 13 mm drawer side width</li> </ul>		20
	<p><b>Pot drawer H249</b></p> <ul style="list-style-type: none"> <li>• 4-dimensional adjustment (side, height, tilt angle and depth adjustment)</li> <li>• 90° straight interior and exterior sides</li> <li>• Slim 13 mm drawer side width</li> </ul>		22
	<p><b>Accessories – individual components</b></p> <ul style="list-style-type: none"> <li>• Components of the accessory sets can only be ordered later or as single components</li> </ul>		24

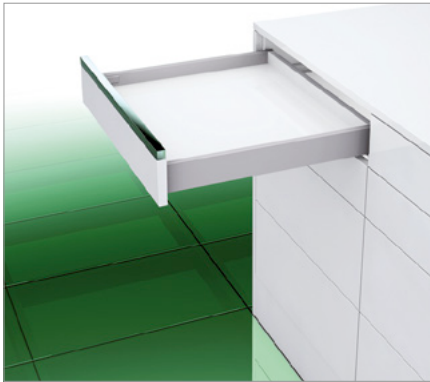
	Product description		Page
	<b>Dynapro full extension slide 40/70 kg Soft-close</b> <ul style="list-style-type: none"> <li>• Full extension slide, synchronised</li> <li>• Soft-close damping system</li> <li>• Excellent running characteristics</li> </ul>		26
	<b>Dynapro full extension slide 40/70 kg Tipmatic Soft-close</b> <ul style="list-style-type: none"> <li>• Full extension slide, synchronised</li> <li>• Combines Tipmatic function with Soft-close damping</li> <li>• Excellent running characteristics</li> </ul>		28
	<b>Dynapro full extension slide 40/60 kg Tipmatic</b> <ul style="list-style-type: none"> <li>• Tipmatic full extension slide</li> <li>• Tipmatic element integrated into the slide</li> <li>• Excellent running characteristics</li> </ul>		30
	<b>Inset panels</b> <ul style="list-style-type: none"> <li>• Colour-coordinated aluminium front panel</li> <li>• High-quality design with smooth inside and outside surfaces</li> <li>• Available in the heights H89, H121 and H185</li> </ul>		32
	<b>Steel back panels</b> <ul style="list-style-type: none"> <li>• Steel back panels for regular and pot drawers</li> <li>• Colour coordinated</li> <li>• In the heights H89 and H185</li> </ul>		40

	<b>Technical information</b>	42
	<b>Assembly technology</b>	80
	<b>Assembly aids</b>	84



# VIONARO

## Drawer H63



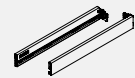
- 4-dimensional adjustment
- Integrated side, height and tilt angle adjustment
- Depth adjustment is optional
- 90° straight interior and exterior sides
- Slim 13 mm drawer side width
- Tool-free front assembly
- Bottom panel machining not required

### Packaging unit (PU):

- 201 = 1 unit in cardboard box (smallest PU = 5 units)
- 211 = 20 units in a cardboard box
- 517 = 50 units in PE in a cardboard box

## ORDER INFORMATION

### 1 Vionaro drawer sides H63 Set: One left, one right



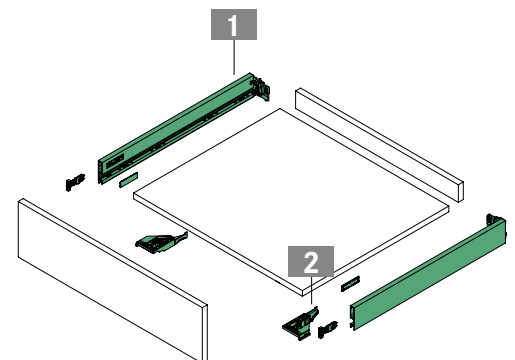
NL	Aluminium											
	Silver grey				Graphite				Snow white			
	Art.-no.	PU	Art.-no.	PU	Art.-no.	PU	Art.-no.	PU	Art.-no.	PU		
400	F135124868	201 211	F135106018	201 211	F135106218	201 211						
450	F135124874	201 211	F135106024	201 211	F135106224	201 211						
500	F135124880	201 211	F135106030	201 211	F135106230	201 211						
550	F135124886	201 211	F135106036	201 211	F135106236	201 211						

### 2 Vionaro accessories for H63 Set: Cover cap (inside), front locking device and front holder, one of each left/right



Description	Silver grey		Graphite		Snow white	
	Art.-no.	PU	Art.-no.	PU	Art.-no.	PU
	For screw fixing	F136101003	517	F136101004	517	F136101005

### Dynapro slides from page 26

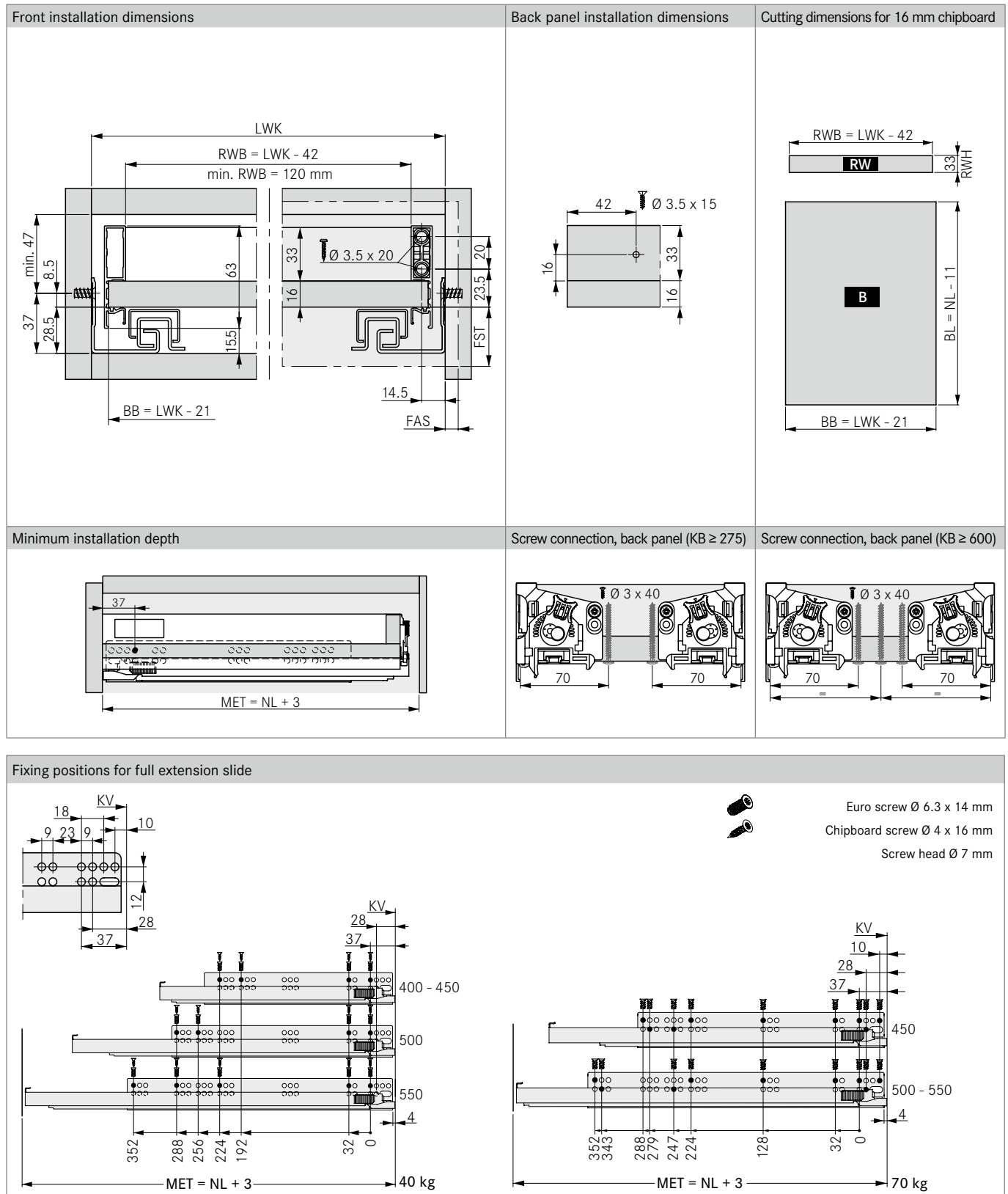


## PAGE REFERENCES

Accessories – individual components	24	Sensomatic	51	Assembly aids	84
Slides	26	Organising systems	69	Packaging code	91
Technical information	42	Assembly technology	80		

**PLANNING DIMENSIONS**

All dimensions in millimetres



**LEGEND**

<b>B/BB</b>	Bottom panel/bottom panel width	<b>KB</b>	Cabinet width	<b>NL</b>	Nominal length
<b>BL</b>	Bottom panel length	<b>KV</b>	Front edge of cabinet	<b>RW</b>	Back panel
<b>FAS</b>	Front overlay, side	<b>LWK</b>	Inside cabinet width	<b>RWB</b>	Width of back panel
<b>FST</b>	Front overlay	<b>MET</b>	Minimum installation depth	<b>RWH</b>	Height of back panel

# VIONARO

## Drawer H89



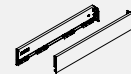
- 4-dimensional adjustment
- Integrated side, height and tilt angle adjustment
- Depth adjustment is optional
- 90° straight interior and exterior sides
- Slim 13 mm drawer side width
- Tool-free front assembly
- Bottom panel machining not required

### Packaging unit (PU):

- 201 = 1 unit in cardboard box (smallest PU = 5 units)
- 211 = 20 units in a cardboard box
- 517 = 50 units in PE in a cardboard box

## ORDER INFORMATION

### 1 Vionaro drawer sides H89 Set: One left, one right



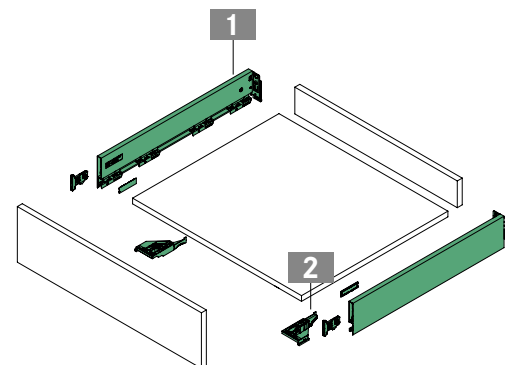
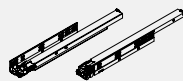
NL	Steel									
	Silver grey			Graphite			Snow white			
	Art.-no.	201	211	Art.-no.	201	211	Art.-no.	201	211	PU
270	F135119057	201	211	F135119303	201	211	F135120603	201	211	
300	F135119060	201	211	F135119306	201	211	F135120606	201	211	
350	F135119066	201	211	F135119312	201	211	F135120612	201	211	
400	F135119072	201	211	F135119318	201	211	F135120618	201	211	
450	F135119078	201	211	F135119324	201	211	F135120624	201	211	
500	F135119084	201	211	F135119333	201	211	F135120633	201	211	
550	F135119090	201	211	F135119342	201	211	F135120642	201	211	
600	F135119096	201	211	F135119351	201	211	F135120651	201	211	
650	F135119099	201	211	F135119400	201	211	F135120654	201	211	

### 2 Vionaro accessories for H89/H121 Set: Cover cap (inside), front locking device and front holder, one of each left/right



Description	Silver grey		Graphite		Snow white	
	Art.-no.	PU	Art.-no.	PU	Art.-no.	PU
For screw fixing	F136100121	517	F136100123	517	F136100125	517
Expansion dowel Ø 8 mm	F136100122	517	F136100124	517	F136100126	517

### Dynapro slides from page 26



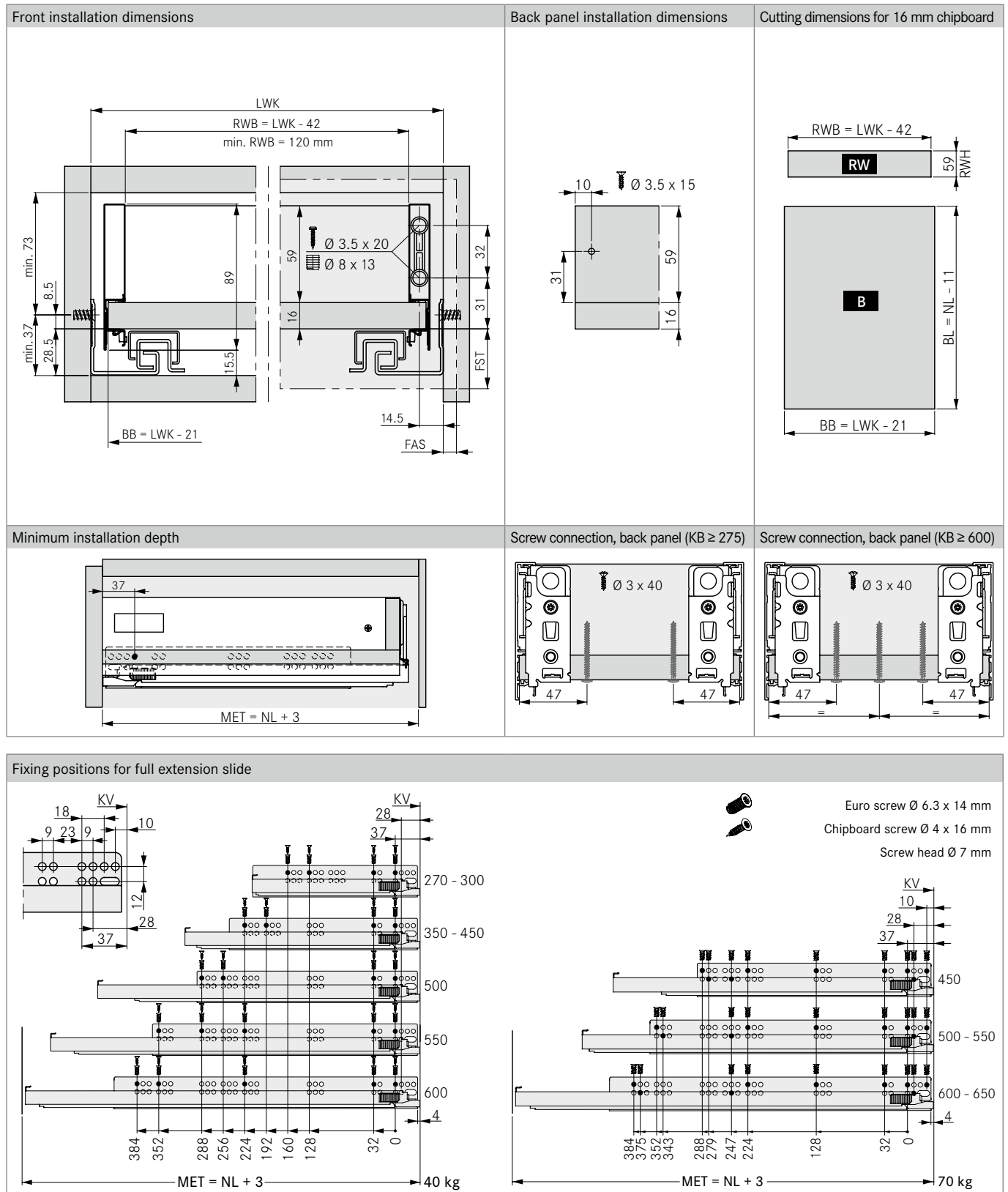
## PAGE REFERENCES

Accessories – individual components	24	Steel back panels	40	Organising systems	69
Slides	26	Technical information	42	Assembly technology	80
Inset panels	32	Sensomatic	51	Assembly aids	84



**PLANNING DIMENSIONS**

All dimensions in millimetres

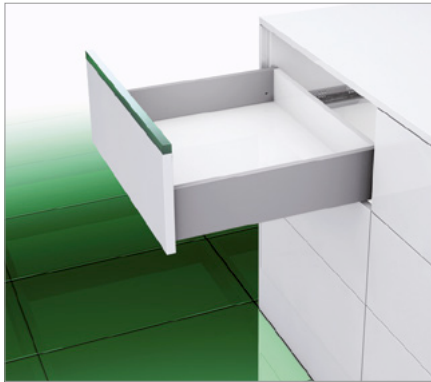


**LEGEND**

<b>B/BB</b>	Bottom panel/bottom panel width	<b>KB</b>	Cabinet width	<b>NL</b>	Nominal length
<b>BL</b>	Bottom panel length	<b>KV</b>	Front edge of cabinet	<b>RW</b>	Back panel
<b>FAS</b>	Front overlay, side	<b>LWK</b>	Inside cabinet width	<b>RWB</b>	Width of back panel
<b>FST</b>	Front overlay	<b>MET</b>	Minimum installation depth	<b>RWH</b>	Height of back panel

# VIONARO

## Drawer H121



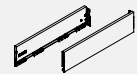
- 4-dimensional adjustment
- Integrated side, height and tilt angle adjustment
- Depth adjustment is optional
- 90° straight interior and exterior sides
- Slim 13 mm drawer side width
- Tool-free front assembly
- Bottom panel machining not required

### Packaging unit (PU):

- 201 = 1 unit in cardboard box (smallest PU = 5 units)
- 207 = 10 units in a cardboard box
- 517 = 50 units in PE in a cardboard box

## ORDER INFORMATION

### 1 Vionaro drawer sides H121 Set: One left, one right



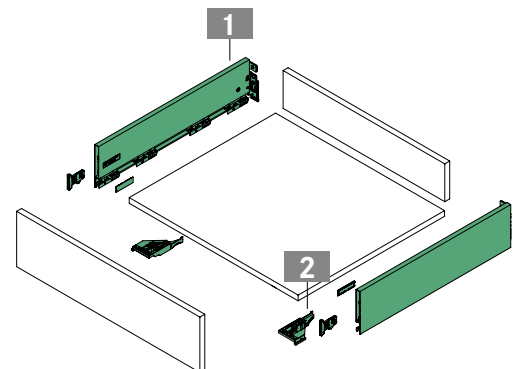
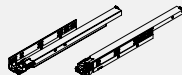
NL	Steel									
	Silver grey			Graphite			Snow white			
	Art.-no.	201	207	Art.-no.	201	207	Art.-no.	201	207	PU
350	F135124112	201	207	F135124212	201	207	F135124312	201	207	
400	F135124118	201	207	F135124218	201	207	F135124318	201	207	
450	F135124124	201	207	F135124224	201	207	F135124324	201	207	
500	F135124130	201	207	F135124230	201	207	F135124330	201	207	
550	F135124136	201	207	F135124236	201	207	F135124336	201	207	

### 2 Vionaro accessories for H89/H121 Set: Cover cap (inside), front locking device and front holder, one of each left/right



Description	Silver grey		Graphite		Snow white	
	Art.-no.	PU	Art.-no.	PU	Art.-no.	PU
For screw fixing	F136100121	517	F136100123	517	F136100125	517
Expansion dowel Ø 8 mm	F136100122	517	F136100124	517	F136100126	517

### Dynapro slides from page 26

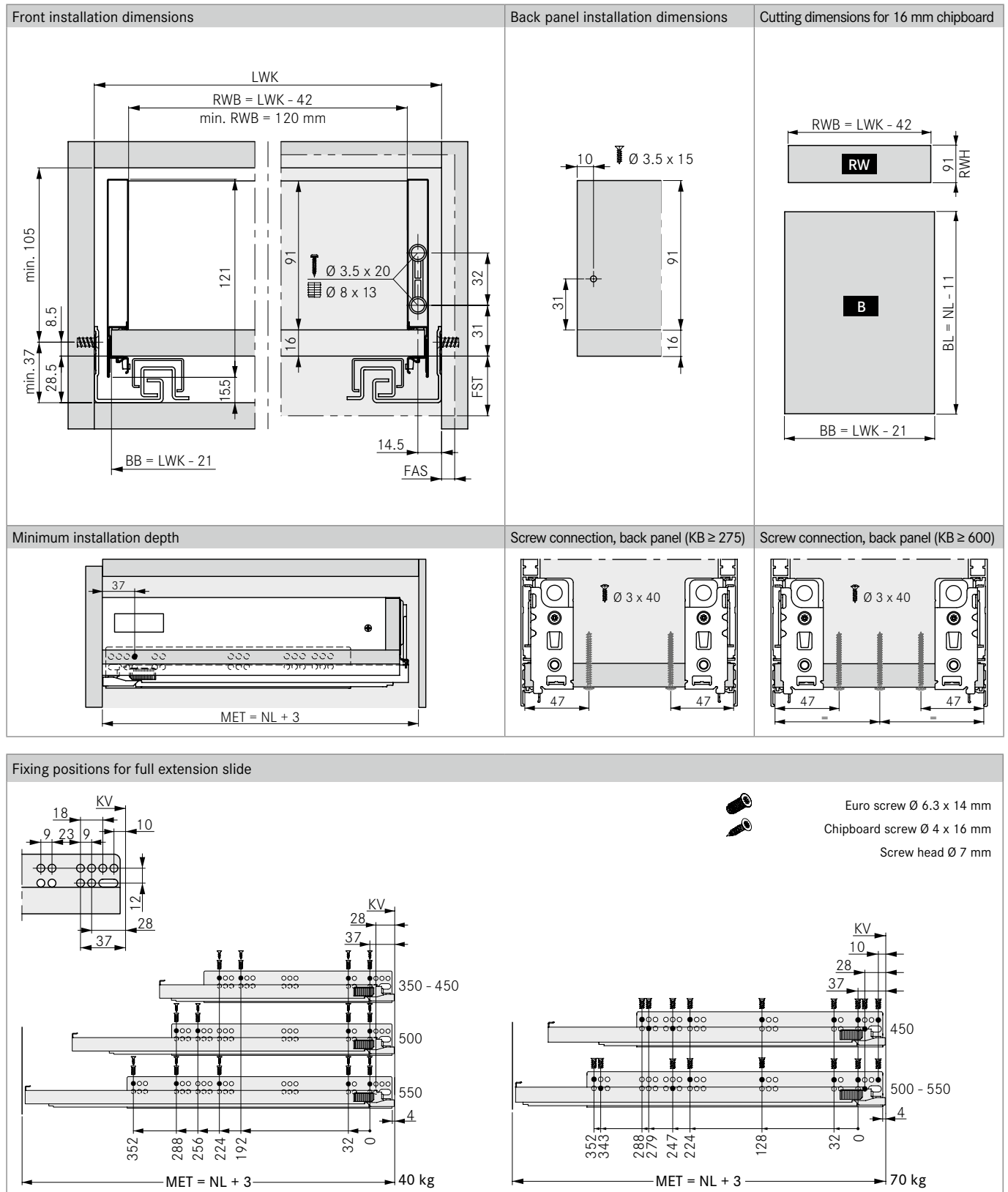


## PAGE REFERENCES

Accessories – individual components	24	Technical information	42	Assembly technology	80
Slides	26	Sensomatic	51	Assembly aids	84
Inset panels	36	Organising systems	69	Packaging code	91

**PLANNING DIMENSIONS**

All dimensions in millimetres



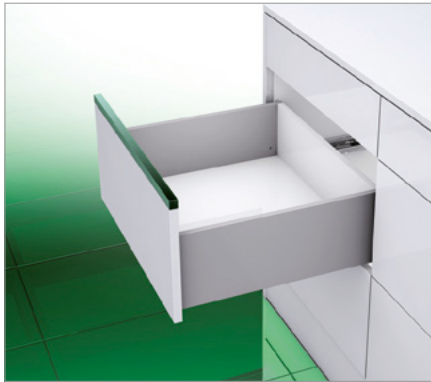
**LEGEND**

<b>B/BB</b>	Bottom panel/bottom panel width	<b>KB</b>	Cabinet width	<b>NL</b>	Nominal length
<b>BL</b>	Bottom panel length	<b>KV</b>	Front edge of cabinet	<b>RW</b>	Back panel
<b>FAS</b>	Front overlay, side	<b>LWK</b>	Inside cabinet width	<b>RWB</b>	Width of back panel
<b>FST</b>	Front overlay	<b>MET</b>	Minimum installation depth	<b>RWH</b>	Height of back panel



# VIONARO

## Pot drawer H185



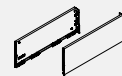
- 4-dimensional adjustment
- Integrated side, height and tilt angle adjustment
- Depth adjustment is optional
- 90° straight interior and exterior sides
- Slim 13 mm drawer side width
- Tool-free front assembly
- Bottom panel machining not required
- Integrated front stabiliser for high fronts

### Packaging unit (PU):

- 201 = 1 unit in cardboard box (smallest PU = 5 units)
- 207 = 10 units in a cardboard box
- 517 = 50 units in PE in a cardboard box

## ORDER INFORMATION

### 1 Vionaro drawer sides H185 Set: One left, one right



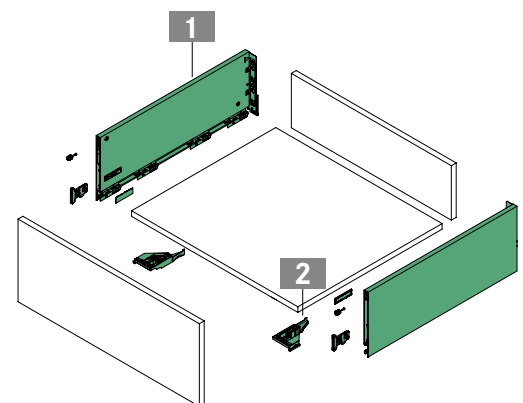
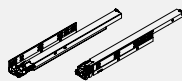
NL	Steel									
	Silver grey			Graphite			Snow white			
	Art.-no.	201	207	Art.-no.	201	207	Art.-no.	201	207	PU
270	F135119203	201	207	F135119412	201	207	F135120803	201	207	
300	F135119206	201	207	F135119415	201	207	F135120806	201	207	
350	F135119212	201	207	F135119421	201	207	F135120812	201	207	
400	F135119218	201	207	F135119427	201	207	F135120818	201	207	
450	F135119224	201	207	F135119433	201	207	F135120824	201	207	
500	F135119230	201	207	F135119442	201	207	F135120833	201	207	
550	F135119236	201	207	F135119451	201	207	F135120842	201	207	
600	F135119242	201	207	F135119460	201	207	F135120851	201	207	
650	F135119245	201	207	F135119463	201	207	F135120854	201	207	

### 2 Vionaro accessories for H185/H249 Set: Cover cap (inside), front locking device, front holder and front stabiliser, one of each left/right



Description	Silver grey		Graphite		Snow white	
	Art.-no.	PU	Art.-no.	PU	Art.-no.	PU
For screw fixing	F136100310	517	F136100312	517	F136100314	517
Expansion dowel Ø 8 mm	F136100311	517	F136100313	517	F136100315	517

### Dynapro slides from page 26

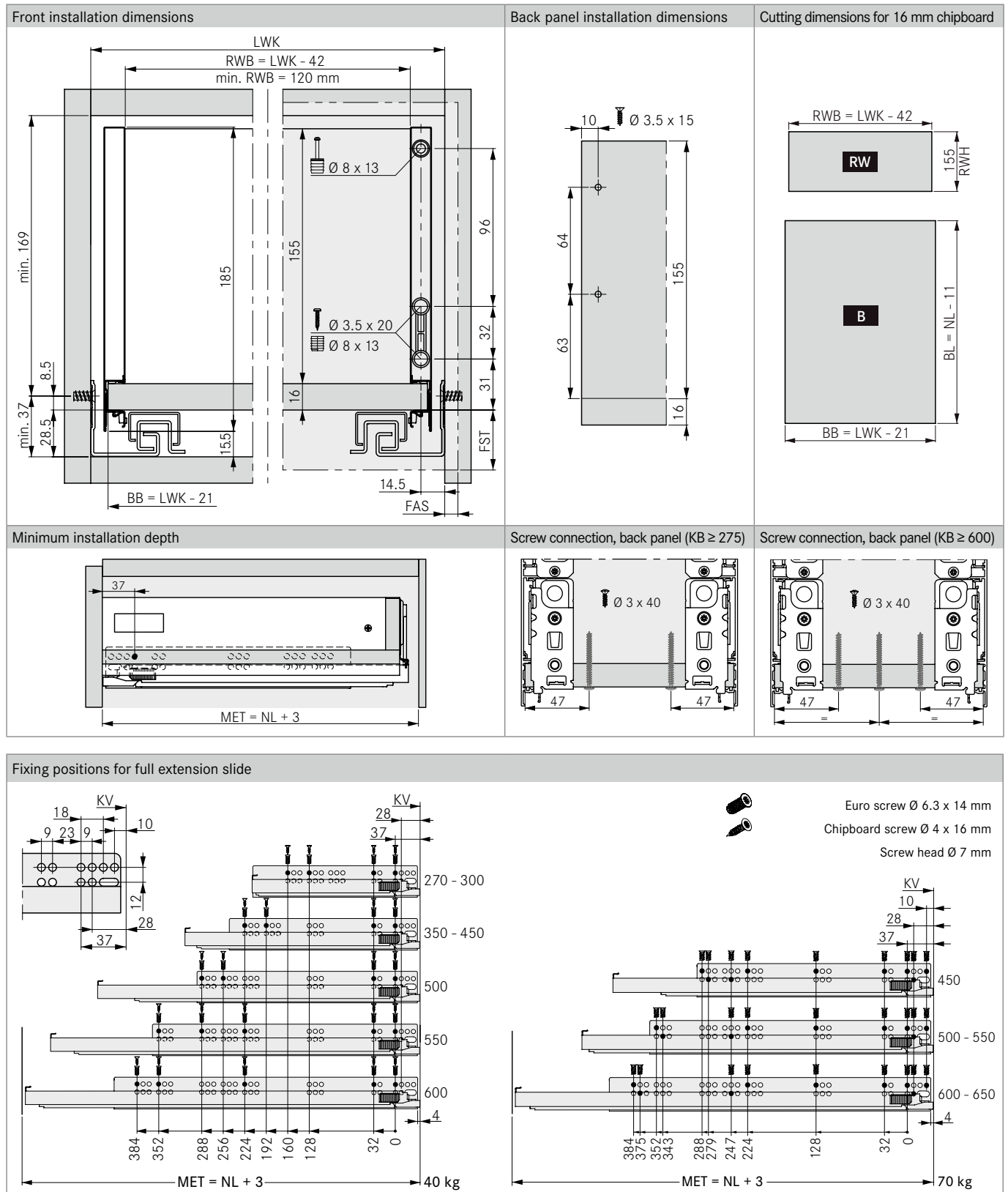


## PAGE REFERENCES

Accessories – individual components	24	Steel back panels	40	Organising systems	69
Slides	26	Technical information	42	Assembly technology	80
Inset panels	34	Sensomatic	51	Assembly aids	84

**PLANNING DIMENSIONS**

All dimensions in millimetres

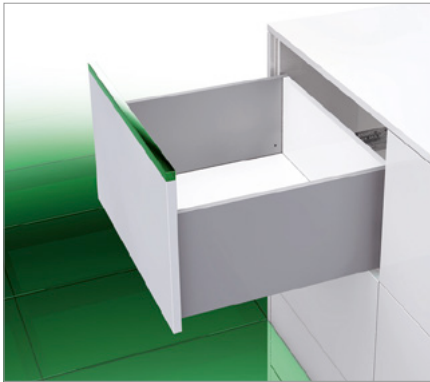


**LEGEND**

B/BB	Bottom panel/bottom panel width	KB	Cabinet width	NL	Nominal length
BL	Bottom panel length	KV	Front edge of cabinet	RW	Back panel
FAS	Front overlay, side	LWK	Inside cabinet width	RWB	Width of back panel
FST	Front overlay	MET	Minimum installation depth	RWH	Height of back panel

# VIONARO

## Pot drawer H249



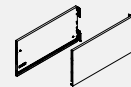
- 4-dimensional adjustment
- Integrated side, height and tilt angle adjustment
- Depth adjustment is optional
- 90° straight interior and exterior sides
- Slim 13 mm drawer side width
- Tool-free front assembly
- Bottom panel machining not required
- Integrated front stabiliser for high fronts

### Packaging unit (PU):

- 201 = 1 unit in cardboard box (smallest PU = 5 units)
- 207 = 10 units in a cardboard box
- 517 = 50 units in PE in a cardboard box

## ORDER INFORMATION

### 1 Vionaro drawer sides H249 Set: One left, one right



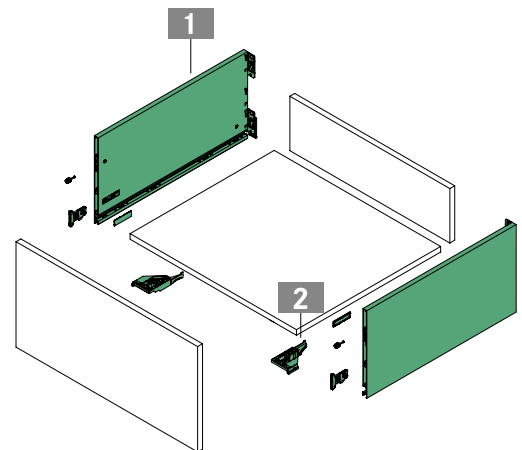
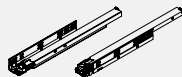
NL	Aluminium												
	Silver grey				Graphite				Snow white				
	Art.-no.	PU	Art.-no.	PU	Art.-no.	PU	Art.-no.	PU	Art.-no.	PU	Art.-no.	PU	
450	F135106774	201	207	F135106874	201	207	F135106974	201	207				
500	F135106780	201	207	F135106880	201	207	F135106980	201	207				
550	F135106786	201	207	F135106886	201	207	F135106986	201	207				
600	F135106792	201	207	F135106892	201	207	F135106992	201	207				

### 2 Vionaro accessories for H185/H249 Set: Cover cap (inside), front locking device, front holder and front stabiliser, one of each left/right



	Description	Silver grey		Graphite		Snow white	
		Art.-no.	PU	Art.-no.	PU	Art.-no.	PU
	For screw fixing	F136100310	517	F136100312	517	F136100314	517
	Expansion dowel Ø 8 mm	F136100311	517	F136100313	517	F136100315	517

### Dynapro slides from page 26

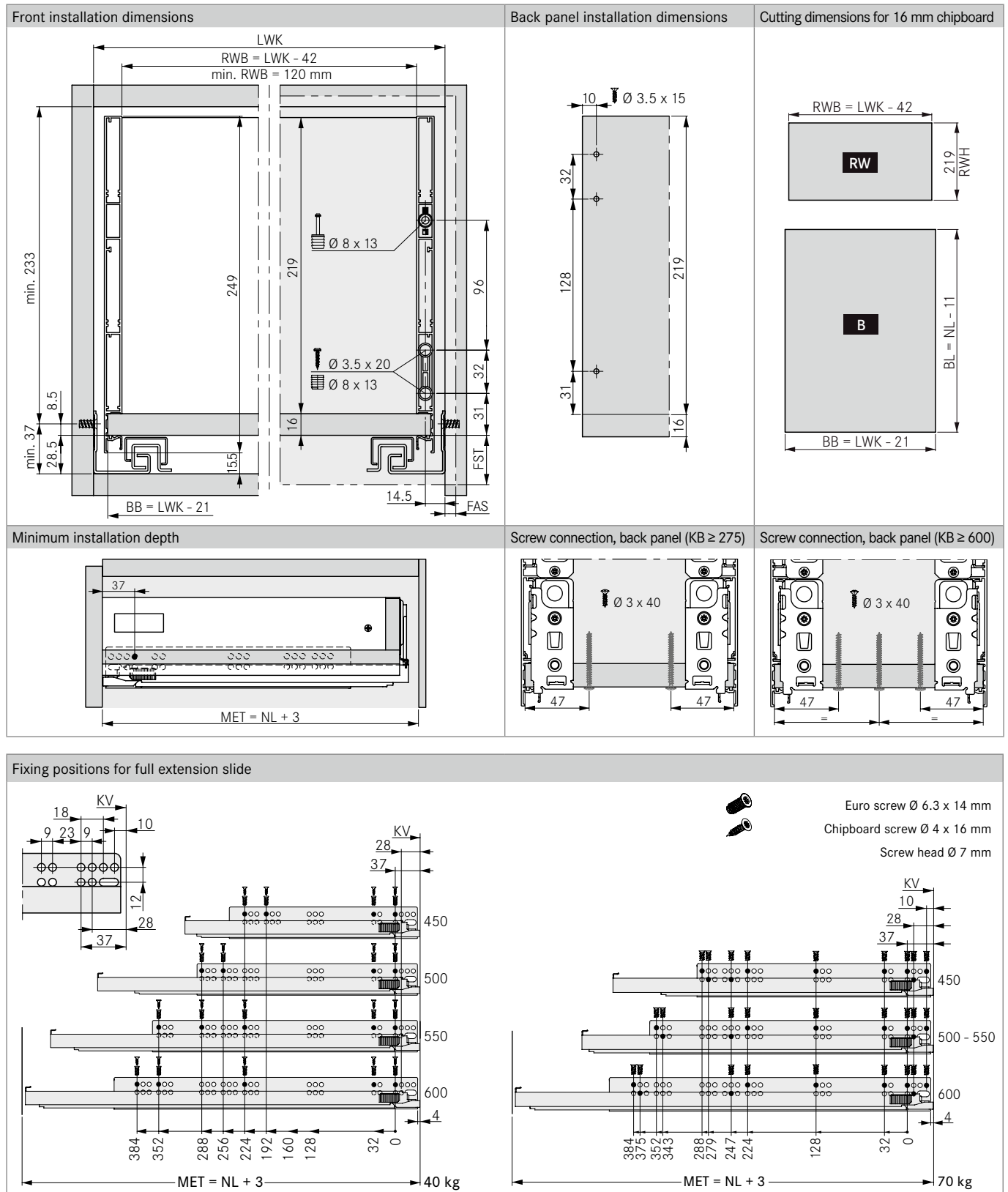


## PAGE REFERENCES

Accessories – individual components	24	Sensomatic	51	Assembly aids	84
Slides	26	Organising systems	69	Packaging code	91
Technical information	42	Assembly technology	80		

**PLANNING DIMENSIONS**

All dimensions in millimetres



**LEGEND**

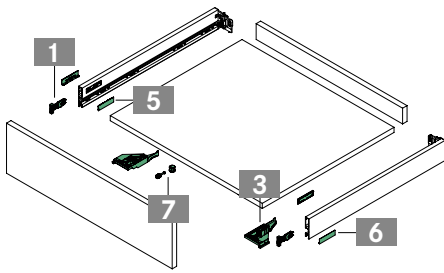
B/BB	Bottom panel/bottom panel width	KB	Cabinet width	NL	Nominal length
BL	Bottom panel length	KV	Front edge of cabinet	RW	Back panel
FAS	Front overlay, side	LWK	Inside cabinet width	RWB	Width of back panel
FST	Front overlay	MET	Minimum installation depth	RWH	Height of back panel



# VIONARO

## Accessories – individual components

Drawer H63



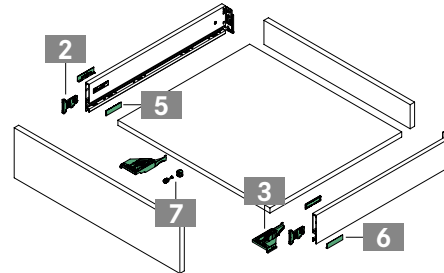
The following is required:

2 x **1**  
1 x **3**  
2 x **5**

Optional:

2 x **6**  
1 x **7**

Drawer H89/H121





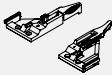

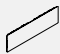

The following is required:

2 x **2**  
1 x **3**  
2 x **5**

Optional:

2 x **6**  
1 x **7**

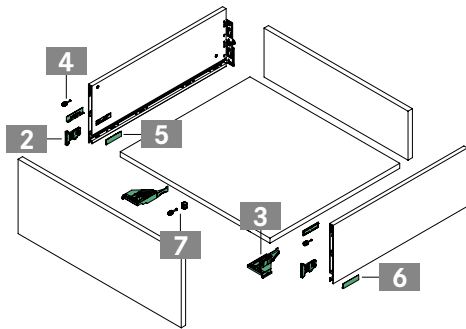
### ORDER INFORMATION

<b>1</b> Front holder H63 Single item: Can be used on left/right					<b>2</b> Front holder H89/H121/H185/H249 Single item: Can be used on left/right				
	Description	Art.-no.	PU			Description	Art.-no.	PU	
	For screw fixing	F136118050	239			For screw fixing	F136116276	239	
	For press fitting	F136118051	239		For press fitting	F136116271	239		
				Expansion dowel Ø 8 mm	F136118019	239			
<b>3</b> Front locking device Set: One left, one right					<b>4</b> Front stabiliser H185/H249 Single item: Can be used on left/right				
	Description	Art.-no.	PU			Description	Art.-no.	PU	
		F136107621	233			For screw fixing	F136135000	239	
				For press fitting Ø 8 mm	F136118030	239			
				For press fitting Ø 10 mm	F136118012	239			
<b>5</b> Cover cap for drawer side Single item: Can be used on left/right									
	Description	Silver grey		Graphite		Snow white			
		Art.-no.	PU	Art.-no.	PU	Art.-no.	PU		
	With GRASS logo	F136118066	239	F136118068	239	F136118070	239		
Without logo	F136118065	239	F136118067	239	F136118069	239			
<b>6</b> Branding clip (optional) Single item: Can be used on left/right									
	Description	Silver grey		Graphite		Snow white			
		Art.-no.	PU	Art.-no.	PU	Art.-no.	PU		
	With GRASS logo	F136118058	239	F136118059	239	F136118060	239		
(Customer logo on request)									

### PAGE REFERENCES

Drawer sides	11	Technical information	42	Assembly technology	80
Slides	26	Sensomatic	51	Assembly aids	84
Steel back panels	40	Organising systems	69	Packaging code	91

**Pot drawer H185/H249**



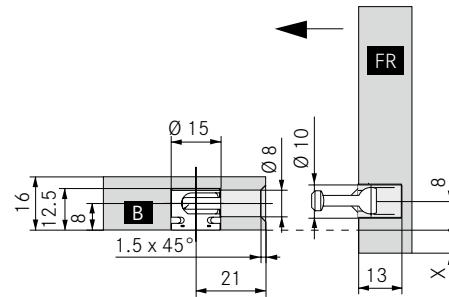
**The following  
is required:**

- 2 x 2
- 1 x 3
- 2 x 4
- 2 x 5

**Optional:**

- 2 x 6
- 1 x 7

**Front-bottom connector (optional)**



**7 Front-bottom connector for  
wooden fronts (optional)  
Single item**



Description	Art.-no.	PU	Description	Art.-no.	PU
Recommended from KB 600 mm	<b>F148026744</b>	107 223			

**LEGEND**

- B** Bottom panel
- FR** Front
- KB** Cabinet width

# DYNAPRO SOFT-CLOSE

Full extension slide 40/70 kg



- Excellent running characteristics
- Fully synchronised slide technology
- Soft-close damping system
- Utmost lateral stability
- Minimum drawer deflection
- Stepless self-locking of the drawer when placed on the slide

#### Packaging unit (PU):

- 204 = 5 units in a cardboard box
- 208 = 12 units in a cardboard box
- 210 = 15 units in a cardboard box
- 211 = 20 units in a cardboard box
- 533 = 200 units in PE in a cardboard box

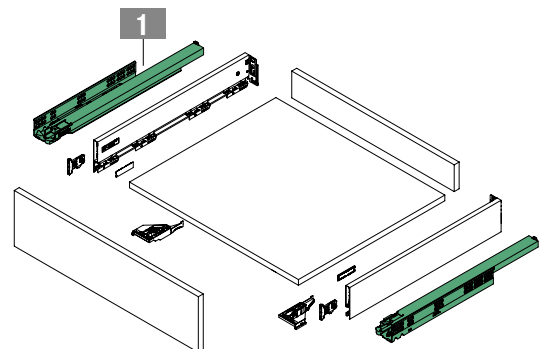
## ORDER INFORMATION

1 Dynapro full extension slide Soft-close Set: One left, one right						
NL	40 kg			70 kg		
	Art.-no.	PU		Art.-no.	PU	
270	<b>F130107793</b>	204	211	-		
300	<b>F130107796</b>	204	211	-		
350	<b>F130107802</b>	204	211	-		
400	<b>F130107808</b>	204	211	-		
450	<b>F130107814</b>	204	210	<b>F130107832</b>	204	210
500	<b>F130107820</b>	204	210	<b>F130107838</b>	204	210
550	<b>F130107826</b>	204	210	<b>F130107844</b>	204	210
600	<b>F130107829</b>	204	208	<b>F130107850</b>	204	208
650	-			<b>F130107853</b>	204	208

Optional: Depth adjustment Set: One left, one right					
Art.-no.		PU			
<b>F134101313</b>		<b>533</b>			

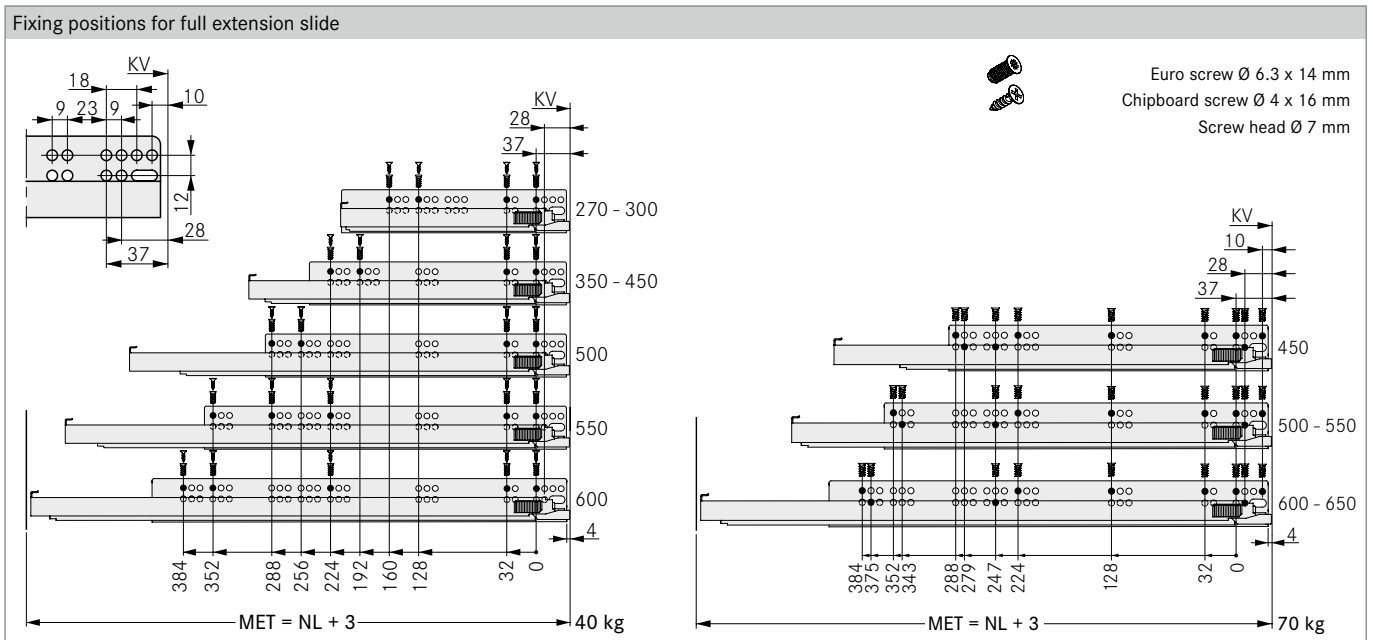
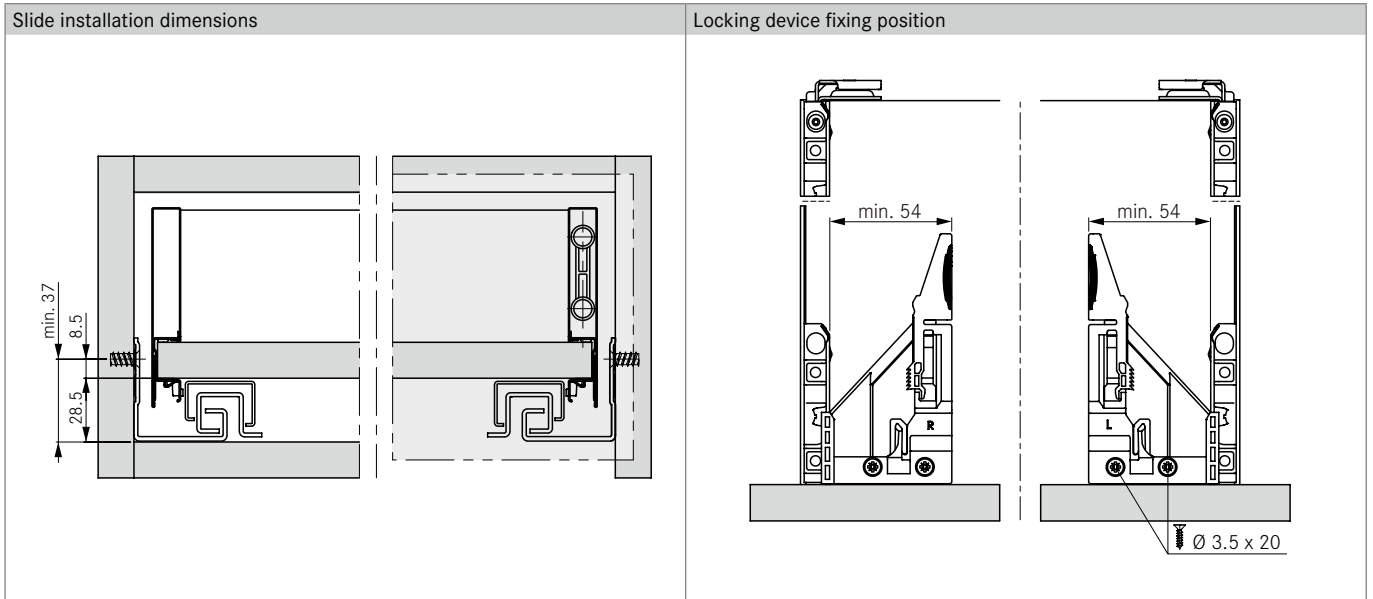
## PAGE REFERENCES

Drawer sides	11	Technical information	42	Assembly technology	80
Inset panels	32	Sensomatic	51	Assembly aids	84
Steel back panels	40	Organising systems	69	Packaging code	91



PLANNING DIMENSIONS

All dimensions in millimetres



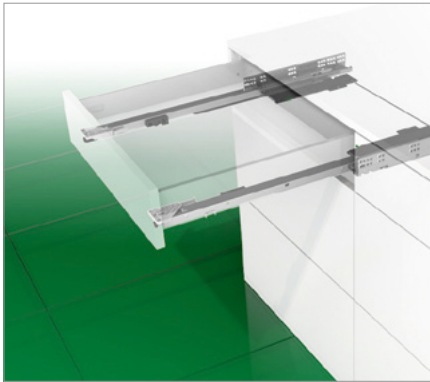
LEGEND

- KV Front edge of cabinet
- MET Minimum installation depth
- NL Nominal length



# DYNAPRO TIPMATIC SOFT-CLOSE

Full extension slide 40/70 kg



- Mechanical opening system for handle-free fronts
- Combines Tipmatic function with Soft-close damping
- Tool-free assembly of the Tipmatic Soft-close unit
- Can be used for Dynapro Soft-close full extension slides
- One unit for all nominal lengths and weight classes
- 3-stage adjustment of the opening force
- Large activation zone due to synchronisation rod

#### Packaging unit (PU):

- 204 = 5 units in a cardboard box
- 207 = 10 units in a cardboard box
- 208 = 12 units in a cardboard box
- 210 = 15 units in a cardboard box
- 211 = 20 units in a cardboard box
- 213 = 25 units in a cardboard box
- 223 = 100 units in a cardboard box
- 607 = 10 units in a cardboard box in a cardboard box

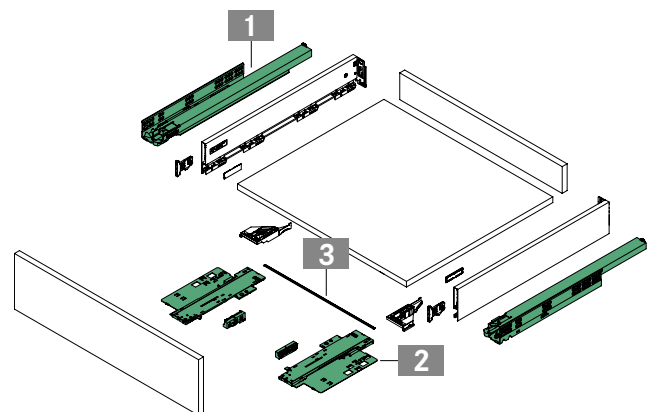
## ORDER INFORMATION

1 Dynapro full extension slide Soft-close Set: One left, one right						
NL	40 kg			70 kg		
	Art.-no.	PU		Art.-no.	PU	
270	F130107793	204	211	-		
300	F130107796	204	211	-		
350	F130107802	204	211	-		
400	F130107808	204	211	-		
450	F130107814	204	210	F130107832	204	210
500	F130107820	204	210	F130107838	204	210
550	F130107826	204	210	F130107844	204	210
600	F130107829	204	208	F130107850	204	208
650	-			F130107853	204	208

2 Dynapro Tipmatic Soft-close Set: Unit and activator, one of each left/right						
	Art.-no.	PU				
	F134109323	607				

3 Synchronisation rod Single item: For cutting to length						
L	Art.-no.	PU				
952	F134109410	207				

Individual components		
Description	Art.-no.	PU
Dynapro Tipmatic Soft-close unit Set: One left, one right	F134109324	213
Dynapro Tipmatic Soft-close activator Set: One left, one right	F134109325	223

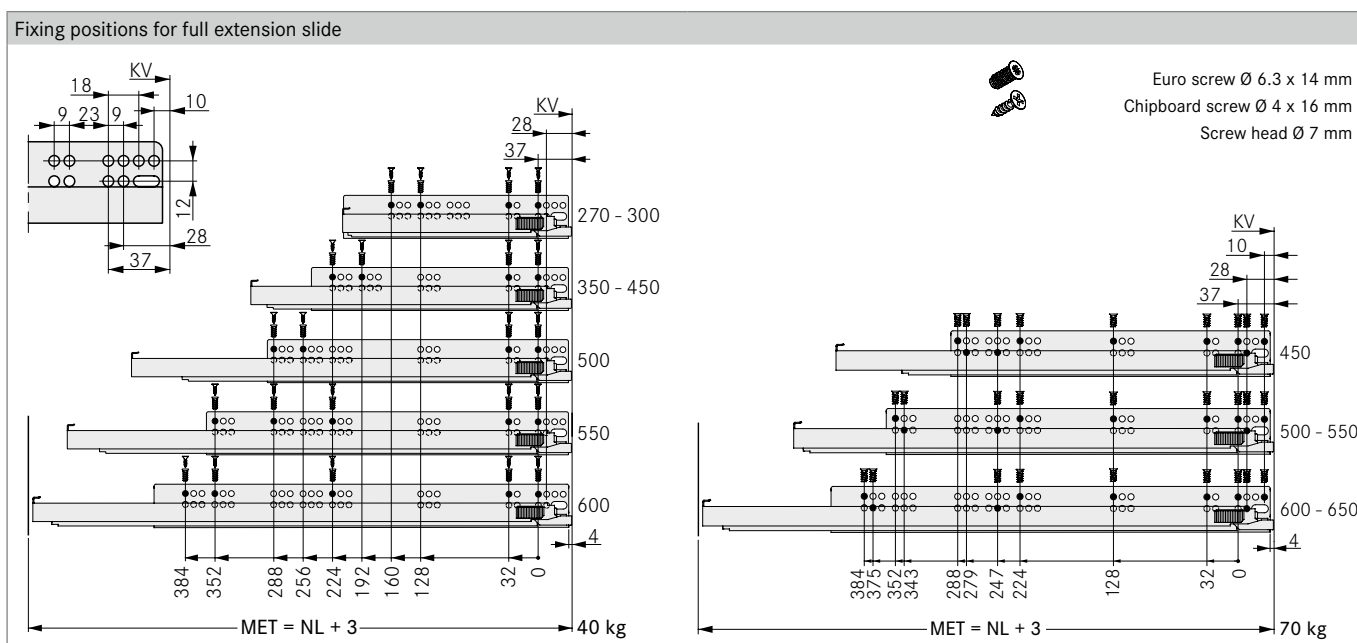
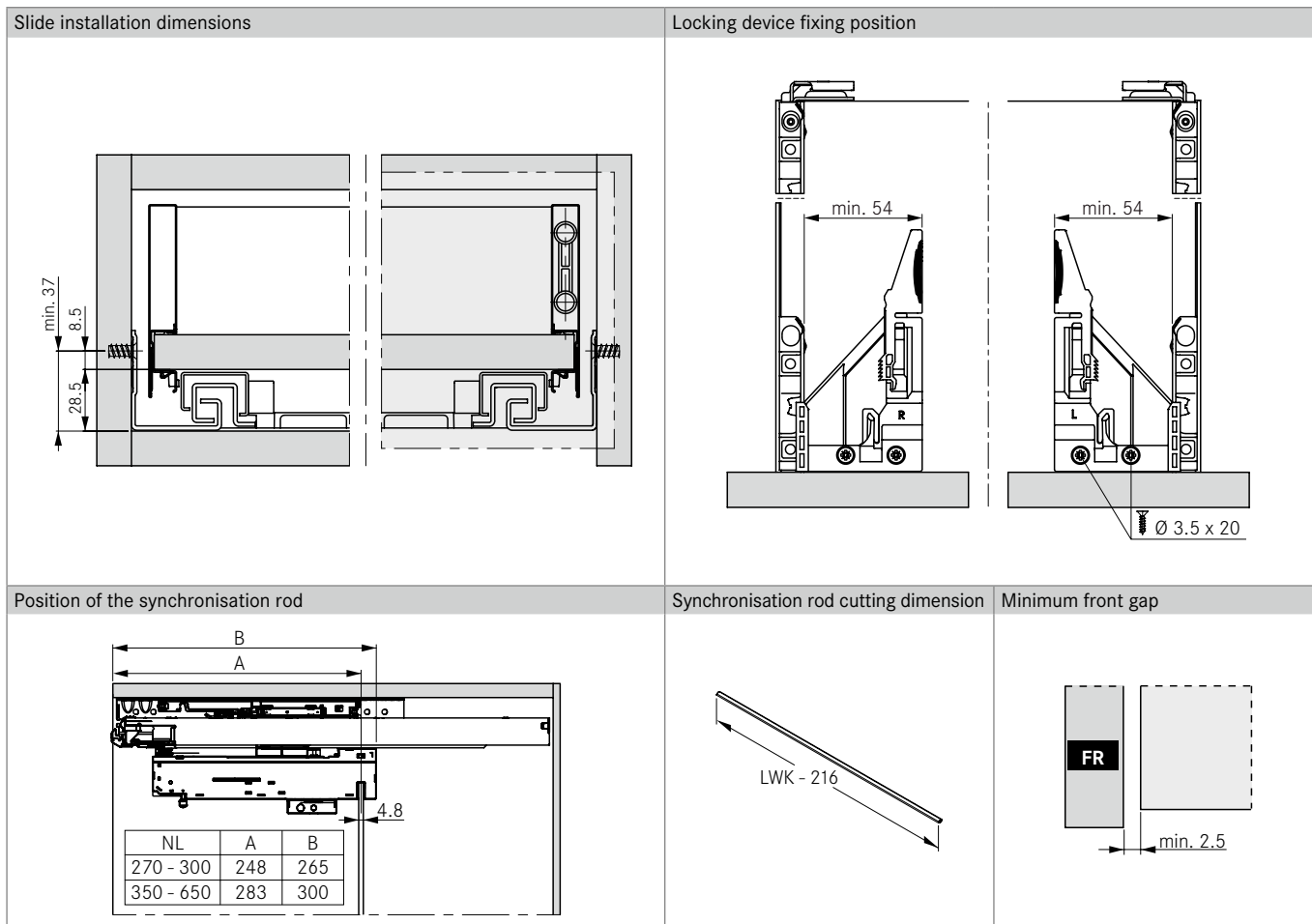


## PAGE REFERENCES

Drawer sides	11	Technical information	42	Assembly technology	80
Inset panels	32	Sensomatic	51	Assembly aids	84
Steel back panels	40	Organising systems	69	Packaging code	91

PLANNING DIMENSIONS

All dimensions in millimetres



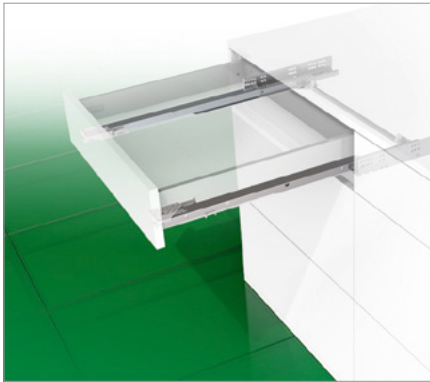
LEGEND

FR	Front
KV	Front edge of cabinet
L	Length
MET	Minimum installation depth

NL	Nominal length
----	----------------

# DYNAPRO TIPMATIC

Full extension slide 40/60 kg



- Full extension slide Tipmatic for handle-free fronts
- Tipmatic ejector unit integrated into the slide
- Excellent running characteristics
- Fully synchronised slide technology
- Utmost lateral stability
- Minimum drawer deflection

#### Packaging unit (PU):

- 204 = 5 units in a cardboard box
- 207 = 10 units in a cardboard box
- 210 = 15 units in a cardboard box
- 211 = 20 units in a cardboard box
- 212 = 24 units in a cardboard box
- 233 = 200 units in a cardboard box
- 517 = 50 units in PE in a cardboard box

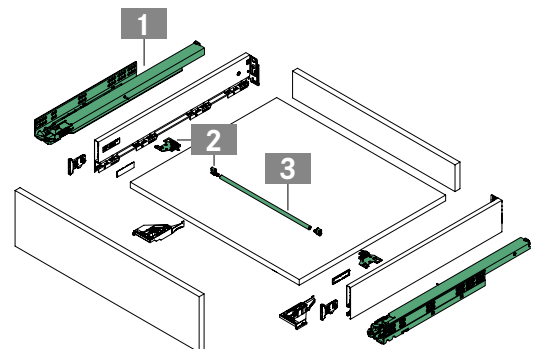
## ORDER INFORMATION

1 Dynapro Tipmatic full extension slide Set: One left, one right					
NL	40 kg		60 kg		
	Art.-no.	PU	Art.-no.	PU	
270	F130117459	204 211	-		
300	F130117460	204 211	-		
350	F130117462	204 211	-		
400	F130117463	204 211	-		
450	F130117465	204 210	F130117470	204	210
500	F130117467	204 210	F130117471	204	210
550	F130117468	204 210	F130117472	204	210
600	-		F130116941	204	
650	-		F130117474	204	

2 Synchronisation unit Set: Synchronisation module and synchronisation lever, one of each left/right					
	40 kg		60 kg		
	Art.-no.	PU	Art.-no.	PU	
	F134117475	517	F134117476	517	

3 Synchronisation rod Single item: For cutting to length					
L	Art.-no.	PU			
981	F134116947	207 211			

Individual components		
Description	Art.-no.	PU
Synchronisation module, 40 kg Set: One left, one right	F134117114	212
Synchronisation module, 60 kg Set: One left, one right	F134117115	212
Synchronisation lever Single: Can be used on left/right	F134125079	233



## PAGE REFERENCES

Drawer sides	11	Technical information	42	Assembly technology	80
Inset panels	32	Sensomatic	51	Assembly aids	84
Steel back panels	40	Organising systems	69	Packaging code	91

PLANNING DIMENSIONS

All dimensions in millimetres

<p>Slide installation dimensions</p>	<p>Locking device fixing position</p>						
<p>Position of the synchronisation rod</p> <table border="1" data-bbox="223 1131 414 1220"> <thead> <tr> <th>NL</th> <th>A</th> </tr> </thead> <tbody> <tr> <td>270 - 300</td> <td>205</td> </tr> <tr> <td>350 - 650</td> <td>241</td> </tr> </tbody> </table>	NL	A	270 - 300	205	350 - 650	241	<p>Synchronisation rod cutting dimension</p>
NL	A						
270 - 300	205						
350 - 650	241						

Fixing positions for full extension slide

Euro screw Ø 6.3 x 14 mm  
 Chipboard screw Ø 4 x 16 mm  
 Screw head Ø 7 mm

Slide Length	Dimensions (mm)	Weight
270 - 300	352, 288, 256, 224, 192, 160, 128, 32, 0	40 kg
350 - 450	384, 352, 288, 256, 224, 32, 0	60 kg

$MET = NL + 3$

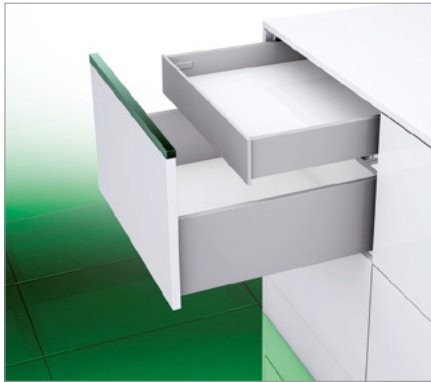
LEGEND

KV	Front edge of cabinet	NL	Nominal length
L	Length		
LWK	Inside cabinet width		
MET	Minimum installation depth		



# VIONARO

## Inset panel for inset drawer H89



- Colour-coordinated aluminium front panel
- High-quality design with smooth inside and outside surfaces
- Also for cutting to length (from page 36)

### Packaging unit (PU):

- 207 = 10 units in a cardboard box
- 211 = 20 units in a cardboard box

### Notes:

- Front-bottom connector recommended from KB 600 mm (see page 39)

## ORDER INFORMATION

### 1 Inset panel for inset drawer H89, S16 and S18

Set: Inset panel with pre-assembled cover caps and pre-drilled fixing holes



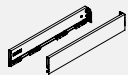
S16*	Silver grey		Graphite		Snow white					
KB	Art.-no.	PU	Art.-no.	PU	Art.-no.	PU				
300	F136122602	211	F136120502	211	F136120552	211				
350	F136122603	211	F136120503	211	F136120553	211				
400	F136122605	211	F136120505	211	F136120555	211				
450	F136122607	211	F136120507	211	F136120557	211				
500	F136122609	211	F136120509	211	F136120559	211				
550	F136122611	211	F136120511	211	F136120561	211				
600	F136122613	211	F136120513	211	F136120563	211				
800	F136122615	211	F136120515	211	F136120565	211				
900	F136122616	211	F136120516	211	F136120566	211				
1000	F136122617	207	F136120517	207	F136120567	207				
1200	F136122618	207	F136120518	207	F136120568	207				

S18*	Silver grey		Graphite		Snow white					
KB	Art.-no.	PU	Art.-no.	PU	Art.-no.	PU				
300	F136123152	211	F136123552	211	F136123652	211				
350	F136123153	211	F136123553	211	F136123653	211				
400	F136123155	211	F136123555	211	F136123655	211				
450	F136123157	211	F136123557	211	F136123657	211				
500	F136123159	211	F136123559	211	F136123659	211				
550	F136123161	211	F136123561	211	F136123661	211				
600	F136123163	211	F136123563	211	F136123663	211				
800	F136123165	211	F136123565	211	F136123665	211				
900	F136123166	211	F136123566	211	F136123666	211				
1000	F136123167	207	F136123567	207	F136123667	207				
1200	F136123168	207	F136123568	207	F136123668	207				

\* on request

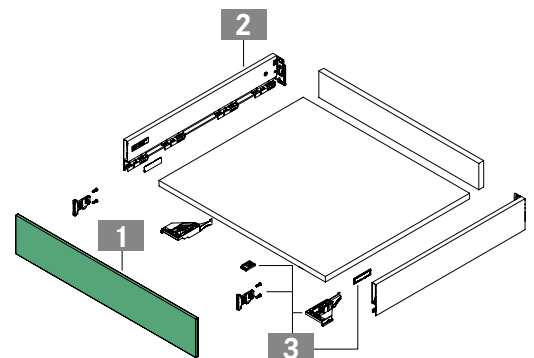
### 2 Vionaro drawer sides H89 see page 16



### 3 Individual components see page 38



### Dynapro slides from page 26

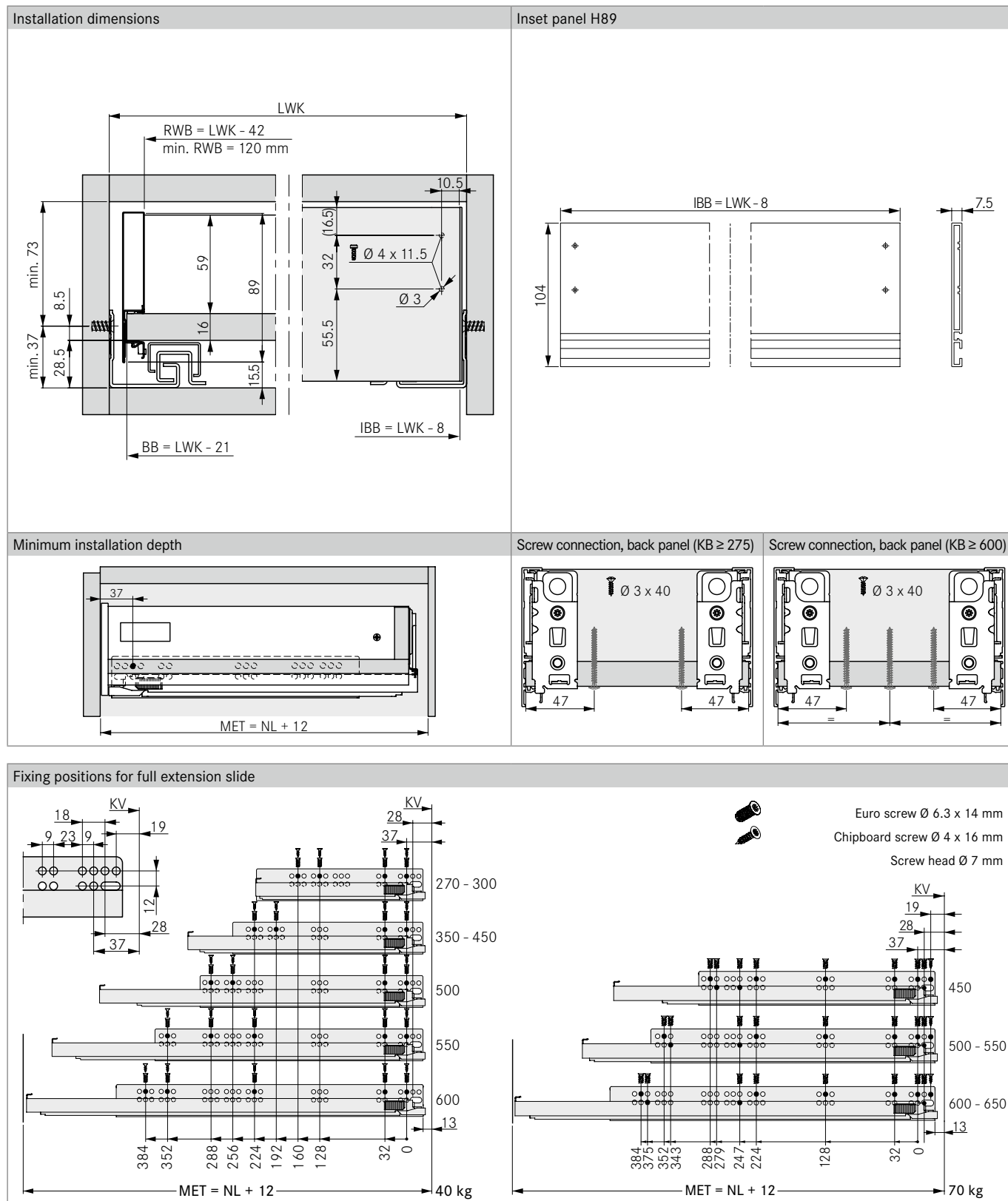


## PAGE REFERENCES

Drawer sides	11	Steel back panels	40	Organising systems	69
Slides	26	Technical information	42	Assembly technology	80
Individual components	38	Sensomatic	51	Assembly aids	84

**PLANNING DIMENSIONS**

All dimensions in millimetres

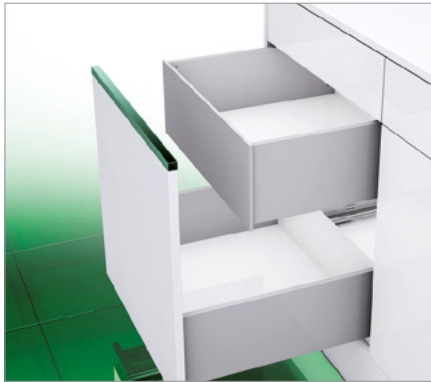


**LEGEND**

<b>BB</b>	Bottom panel width	<b>LWK</b>	Inside cabinet width
<b>IBB</b>	Inset front panel width	<b>MET</b>	Minimum installation depth
<b>KB</b>	Cabinet width	<b>NL</b>	Nominal length
<b>KV</b>	Front edge of cabinet	<b>RWB</b>	Width of back panel

# VIONARO

## Inset panel for inset drawer H185



- Colour-coordinated aluminium front panel
- High-quality design with smooth inside and outside surfaces
- Also for cutting to length (from page 36)

### Packaging unit (PU):

207 = 10 units in a cardboard box

### Notes:

- Front-bottom connector recommended from KB 600 mm (see page 39)

## ORDER INFORMATION

### 1 Inset panel for inset drawer H185, S16 and S18

Set: Inset panel with pre-assembled cover caps and pre-drilled fixing holes



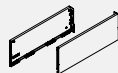
S16*	Silver grey			Graphite			Snow white		
KB	Art.-no.	PU		Art.-no.	PU		Art.-no.	PU	
300	F136122652	207		F136120521	207		F136120572	207	
350	F136122653	207		F136120522	207		F136120573	207	
400	F136122655	207		F136120524	207		F136120575	207	
450	F136122657	207		F136120526	207		F136120577	207	
500	F136122659	207		F136120528	207		F136120579	207	
550	F136122661	207		F136120530	207		F136120581	207	
600	F136122663	207		F136120532	207		F136120583	207	
800	F136122665	207		F136120534	207		F136120585	207	
900	F136122666	207		F136120535	207		F136120586	207	
1000	F136122667	207		F136120536	207		F136120587	207	
1200	F136122668	207		F136120537	207		F136120588	207	

S18*	Silver grey			Graphite			Snow white		
KB	Art.-no.	PU		Art.-no.	PU		Art.-no.	PU	
300	F136123202	207		F136123602	207		F136123702	207	
350	F136123203	207		F136123603	207		F136123703	207	
400	F136123205	207		F136123605	207		F136123705	207	
450	F136123207	207		F136123607	207		F136123707	207	
500	F136123209	207		F136123609	207		F136123709	207	
550	F136123211	207		F136123611	207		F136123711	207	
600	F136123213	207		F136123613	207		F136123713	207	
800	F136123215	207		F136123615	207		F136123715	207	
900	F136123216	207		F136123616	207		F136123716	207	
1000	F136123217	207		F136123617	207		F136123717	207	
1200	F136123218	207		F136123618	207		F136123718	207	

\* on request

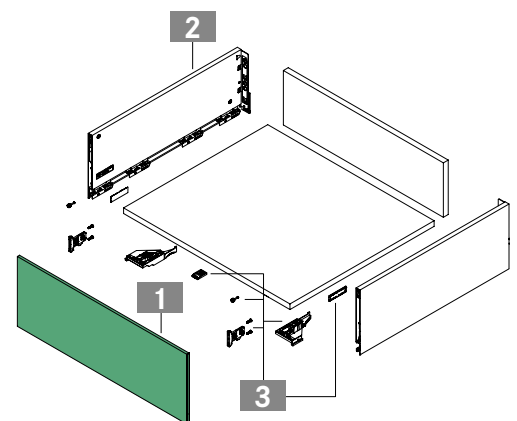
### 2 Vionaro drawer sides H185 see page 20



### 3 Individual components see page 38



Dynapro slides from page 26

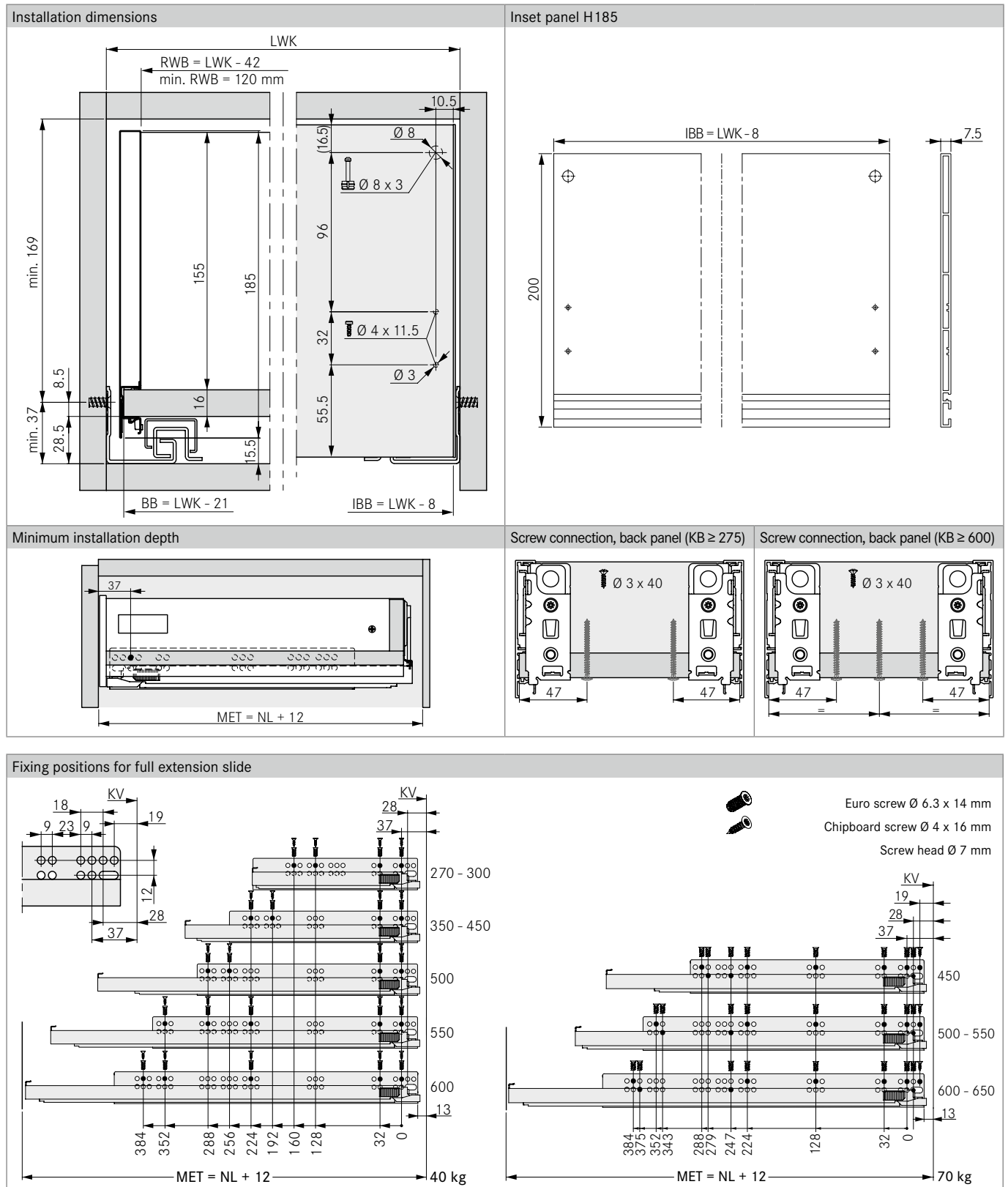


## PAGE REFERENCES

Drawer sides	11	Steel back panels	40	Organising systems	69
Slides	26	Technical information	42	Assembly technology	80
Individual components	38	Sensomatic	51	Assembly aids	84

**PLANNING DIMENSIONS**

All dimensions in millimetres



**LEGEND**

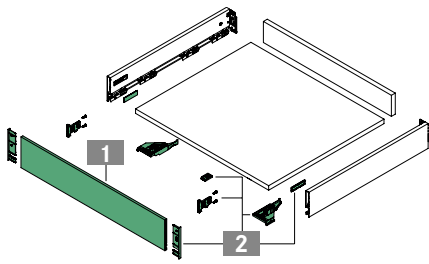
<b>BB</b>	Bottom panel width	<b>LWK</b>	Inside cabinet width
<b>IBB</b>	Inset front panel width	<b>MET</b>	Minimum installation depth
<b>KB</b>	Cabinet width	<b>NL</b>	Nominal length
<b>KV</b>	Front edge of cabinet	<b>RWB</b>	Width of back panel



# VIONARO

## Inset panel for cutting to length – set pack

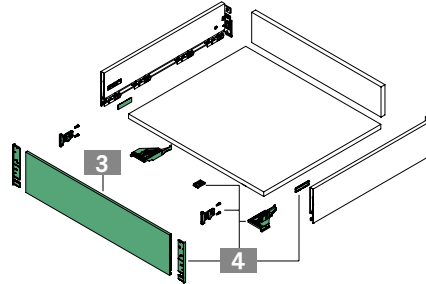
Inset panel for inset drawer H89



The following is required:

1 x **1**  
1 x **2**

Inset panel for inset drawer H121



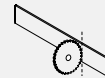
The following is required:

1 x **3**  
1 x **4**

### ORDER INFORMATION

#### 1 Inset panel for inset drawer H89

Single item: For cutting to length incl. cardboard drilling template



L	Silver grey		Graphite		Snow white					
	Art.-no.	PU	Art.-no.	PU	Art.-no.	PU				
1160	<b>F136122619</b>	507	<b>F136120538</b>	507	<b>F136120569</b>	507				

#### 2 Vionaro accessories for inset drawer H89

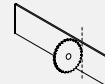
Set: Cover cap for inset panel (2x), cover cap for drawer side (2x), front-bottom connector (1x), front holder (2x), front locking device (2x) and special screws (4x)



Description	Silver grey		Graphite		Snow white					
	Art.-no.	PU	Art.-no.	PU	Art.-no.	PU	Art.-no.	PU		
For screw fixing	<b>F136100277</b>	517	<b>F136100278</b>	517	<b>F136100279</b>	517				

#### 3 Inset panel for inset drawer H121

Single item: For cutting to length incl. cardboard drilling template



L	Silver grey		Graphite		Snow white					
	Art.-no.	PU	Art.-no.	PU	Art.-no.	PU				
1160	<b>F136107484</b>	507	<b>F136107485</b>	507	<b>F136107486</b>	507				

#### 4 Vionaro accessories for inset drawer H121

Set: Cover cap for inset panel (2x), cover cap for drawer side (2x), front-bottom connector (1x), front holder (2x), front locking device (2x) and special screws (4x)

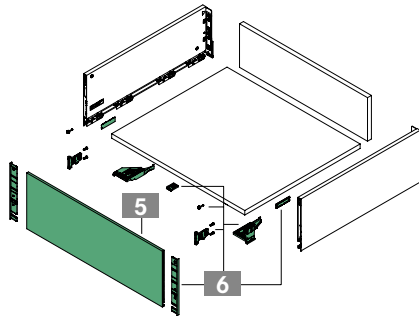


Description	Silver grey		Graphite		Snow white					
	Art.-no.	PU	Art.-no.	PU	Art.-no.	PU	Art.-no.	PU		
For screw fixing	<b>F136107488</b>	517	<b>F136107489</b>	517	<b>F136107490</b>	517				

### PAGE REFERENCES

Drawer sides	11	Steel back panels	40	Organising systems	69
Slides	26	Technical information	42	Assembly technology	80
Individual components	38	Sensomatic	51	Assembly aids	84

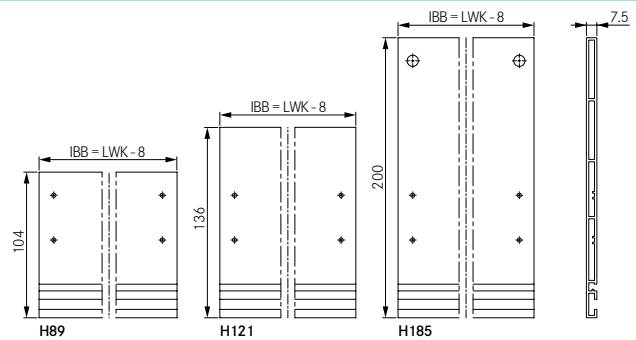
**Inset panel for inset drawer H185**



**The following  
is required:**

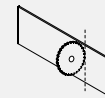
- 1 x **5**
- 1 x **6**

**Inset panel section H89 / H121 / H185**



**5 Inset panel for inset drawer H185**

Single item: For cutting to length incl. cardboard drilling template



L	Silver grey		Graphite		Snow white					
	Art.-no.	PU	Art.-no.	PU	Art.-no.	PU				
1160	<b>F136122669</b>	507	<b>F136120539</b>	507	<b>F136120589</b>	507				

**6 Vionaro accessories for inset drawer H185**

Set: Cover cap for inset panel (2x), cover cap for drawer side (2x), front-bottom connector (1x), front holder (2x), front stabiliser (2x), front locking device (2x) and special screws (4x)



Description	Silver grey		Graphite		Snow white					
	Art.-no.	PU	Art.-no.	PU	Art.-no.	PU				
For screw fixing	<b>F136100318</b>	517	<b>F136100319</b>	517	<b>F136100320</b>	517				

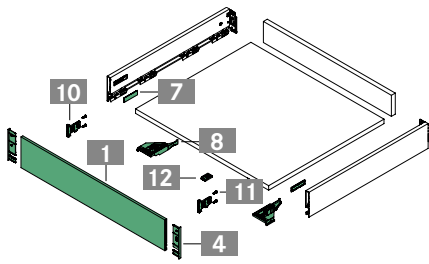
**LEGEND**

- H Height
- IBB Inset panel width
- L Length
- LWK Inside cabinet width

# VIONARO

## Inset panel for cutting to length

Inset panel for inset drawer H89



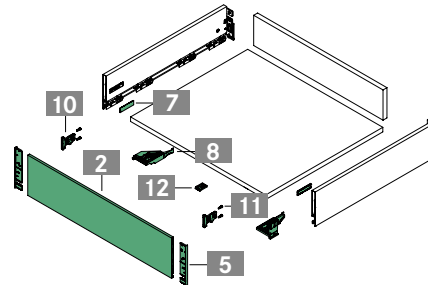
The following is required:

- 1 x 1
- 2 x 4
- 2 x 7
- 1 x 8
- 2 x 10
- 4 x 11

Optional:

- 1 x 12

Inset panel for inset drawer H121



The following is required:

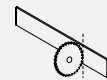
- 1 x 2
- 2 x 5
- 2 x 7
- 1 x 8
- 2 x 10
- 4 x 11

Optional:

- 1 x 12

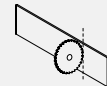
## ORDER INFORMATION

- 1** Inset panel for inset drawer H89  
Single item: For cutting to length incl. cardboard drilling template



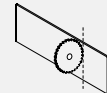
L	Silver grey		Graphite		Snow white	
	Art.-no.	PU	Art.-no.	PU	Art.-no.	PU
1160	F136122619	507	F136120538	507	F136120569	507

- 2** Inset panel for inset drawer H121  
Single item: For cutting to length incl. cardboard drilling template



L	Silver grey		Graphite		Snow white	
	Art.-no.	PU	Art.-no.	PU	Art.-no.	PU
1160	F136107484	507	F136107485	507	F136107486	507

- 3** Inset panel for inset drawer H185  
Single item: For cutting to length incl. cardboard drilling template



L	Silver grey		Graphite		Snow white	
	Art.-no.	PU	Art.-no.	PU	Art.-no.	PU
1160	F136122669	507	F136120539	507	F136120589	507

- 4** Cover cap for inset panel H89  
Single item: Can be used on left/right



H	Silver grey		Graphite		Snow white	
	Art.-no.	PU	Art.-no.	PU	Art.-no.	PU
H89	F136107652	233	F136107654	233	F136107662	233

- 5** Cover cap for inset panel H121  
Single item: Can be used on left/right

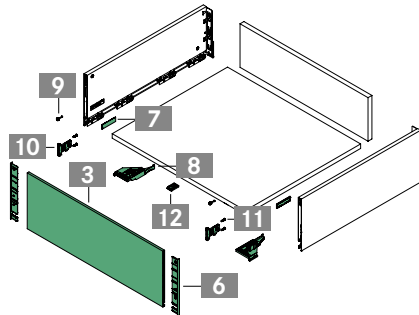


H	Silver grey		Graphite		Snow white	
	Art.-no.	PU	Art.-no.	PU	Art.-no.	PU
H121	F136107492	233	F136107493	233	F136107494	233

## PAGE REFERENCES

Drawer sides	11	Steel back panels	40	Organising systems	69
Slides	26	Technical information	42	Assembly technology	80
Set pack	36	Sensomatic	51	Assembly aids	84

**Inset panel for inset drawer H 185**



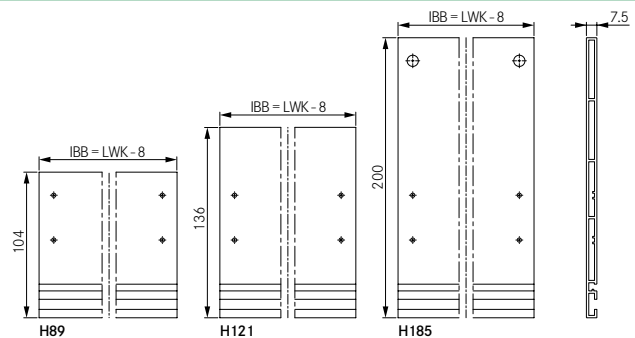
**The following is required:**

- 1 x **3**
- 2 x **6**
- 2 x **7**
- 1 x **8**
- 2 x **9**
- 2 x **10**
- 4 x **11**

**Optional:**

- 1 x **12**

**Inset panel section H89 / H121 / H185**



**6 Cover cap for inset panel H 185**  
Single item: Can be used on left/right



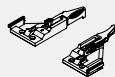
H	Silver grey		Graphite		Snow white			
	Art.-no.	PU	Art.-no.	PU	Art.-no.	PU		
H185	<b>F136107653</b>	233	<b>F136107655</b>	233	<b>F136107663</b>	233		

**7 Cover cap for drawer side**  
Single item: Can be used on left/right



Description	Silver grey		Graphite		Snow white			
	Art.-no.	PU	Art.-no.	PU	Art.-no.	PU		
With GRASS logo	<b>F136118066</b>	239	<b>F136118068</b>	239	<b>F136118070</b>	239		
Without logo	<b>F136118065</b>	239	<b>F136118067</b>	239	<b>F136118069</b>	239		

**8 Front locking device**  
Set: One left, one right



Description	Art.-no.	PU
	<b>F136107621</b>	233

**9 Front stabiliser**  
Single item: Can be used on left/right



Description	Art.-no.	PU
For press fitting	<b>F136118024</b>	233

**10 Front holder**  
Single item: Can be used on left/right



Description	Art.-no.	PU
For screw fixing	<b>F136116276</b>	239

**11 Special screws**  
Single item



Description	Art.-no.	PU
	<b>F136118028</b>	247

**12 Front-bottom connector**  
Single item



Description	Art.-no.	PU
Recommended from KB 600 mm	<b>F136118025</b>	123

**LEGEND**

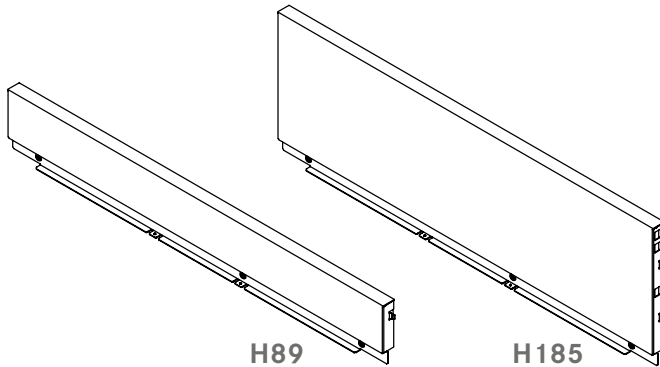
H	Height	LWK	Inside cabinet width
IBB	Inset panel width		
KB	Cabinet width		
L	Length		

# VIONARO

## Steel back panels

### Packaging unit (PU):

207 = 10 units in a cardboard box  
 209 = 14 units in a cardboard box  
 211 = 20 units in a cardboard box  
 216 = 40 units in a cardboard box



## ORDER INFORMATION

1 Steel back panel S16													
H89*	Silver grey			Graphite			Snow white						
KB	Art.-no.	PU		Art.-no.	PU		Art.-no.	PU					
300	F136135261	216		F136135234	216		F136135290	216					
400	F136135262	216		F136135235	216		F136135291	216					
450	F136135263	216		F136135236	216		F136135292	216					
500	F136135264	216		F136135237	216		F136135293	216					
600	F136135265	216		F136135239	216		F136135294	216					
700	F136135266		211	F136135240		211	F136135295		211				
800	F136135267		211	F136135241		211	F136135296		211				
900	F136135268		211	F136135242		211	F136135297		211				
1000	F136135269		211	F136135243		211	F136135298		211				
1200	F136135271		211	F136135244		211	F136135299		211				
H185*	Silver grey			Graphite			Snow white						
KB	Art.-no.	PU		Art.-no.	PU		Art.-no.	PU					
300	F136135352	211		F136135325	211		F136135383	211					
400	F136135353	211		F136135326	211		F136135384	211					
450	F136135354	211		F136135327	211		F136135385	211					
500	F136135355	211		F136135328	211		F136135386	211					
600	F136135356	211		F136135330	211		F136135387	211					
700	F136135357		209	F136135331		209	F136135388		209				
800	F136135358		209	F136135332		209	F136135389		209				
900	F136135359		209	F136135333		209	F136135390		209				
1000	F136135360		207	F136135334		207	F136135391		207				
1200	F136135362		207	F136135335		207	F136135392		207				

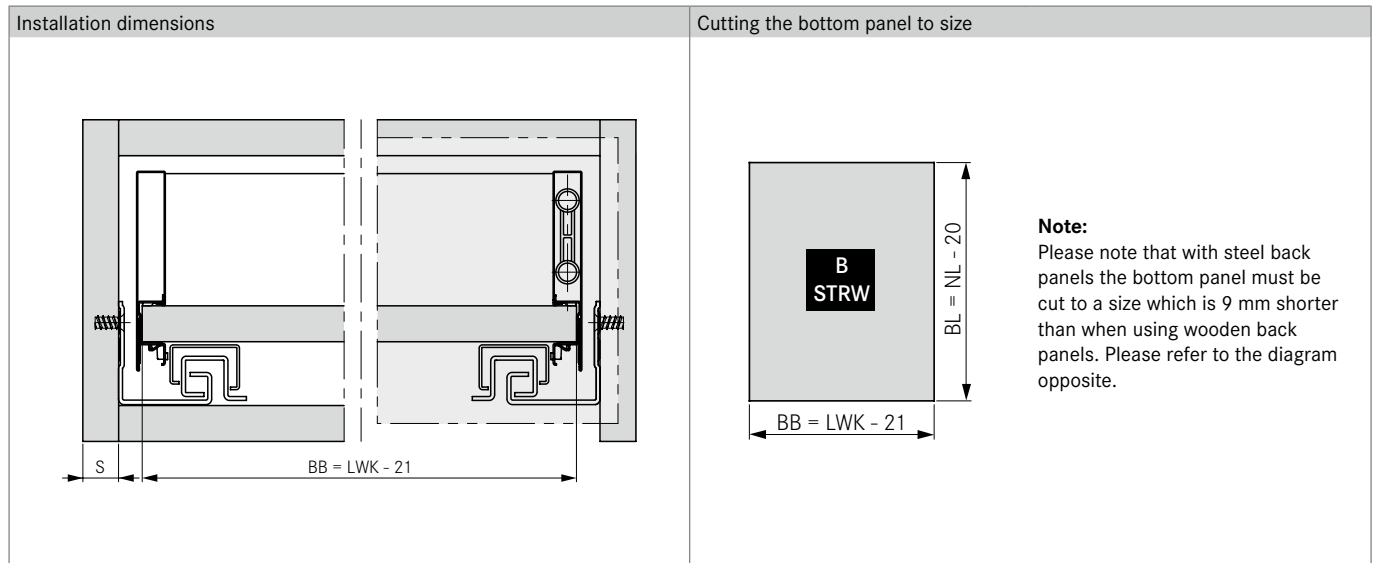
\* on request

## PAGE REFERENCES

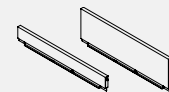
Drawer sides	11	Technical information	42	Assembly technology	80
Slides	26	Sensomatic	51	Assembly aids	84
Inset panels	32	Organising systems	69	Packaging code	91

**PLANNING DIMENSIONS**

All dimensions in millimetres



**2 Steel back panel S18**



H89*	Silver grey			Graphite			Snow white		
KB	Art.-no.	PU		Art.-no.	PU		Art.-no.	PU	
450	<b>F136135283</b>	216		<b>F136135246</b>	216		<b>F136135300</b>	216	
600	<b>F136135285</b>	216		<b>F136135247</b>	216		<b>F136135301</b>	216	
800	<b>F136135286</b>		211	<b>F136135248</b>		211	<b>F136135302</b>		211
900	<b>F136135287</b>		211	<b>F136135249</b>		211	<b>F136135303</b>		211
1200	<b>F136135289</b>		211	<b>F136135250</b>		211	<b>F136135304</b>		211

H185*	Silver grey			Graphite			Snow white		
KB	Art.-no.	PU		Art.-no.	PU		Art.-no.	PU	
450	<b>F136135374</b>	211		<b>F136135337</b>	211		<b>F136135393</b>	211	
600	<b>F136135377</b>	211		<b>F136135338</b>	211		<b>F136135394</b>	211	
800	<b>F136135379</b>		209	<b>F136135339</b>		209	<b>F136135395</b>		209
900	<b>F136135380</b>		209	<b>F136135340</b>		209	<b>F136135396</b>		209
1200	<b>F136135382</b>		207	<b>F136135341</b>		207	<b>F136135397</b>		207

\* on request

**LEGEND**

B	Bottom panel	NL	Nominal length
BB	Bottom panel width	S	Cabinet side wall
BL	Bottom panel length	LWK	Inside cabinet width
KB	Cabinet width	STRW	Steel back panel

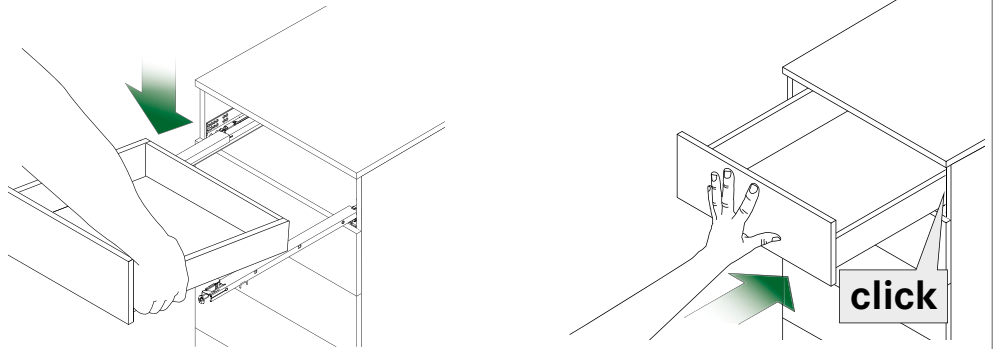


### MOUNTING/DISMOUNTING

#### Inserting the drawer

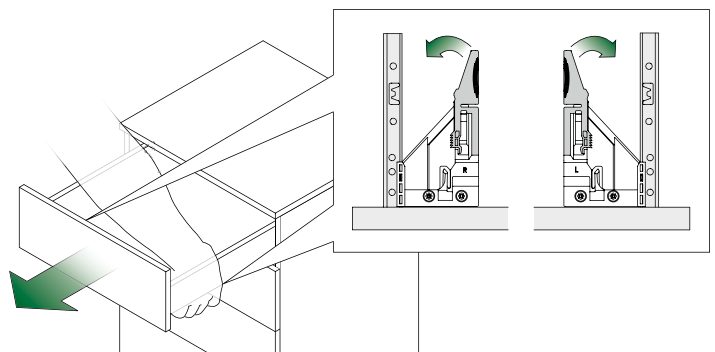
Place the drawer on the extended slides.  
Push the drawer fully home.

**Drawer engages automatically!**



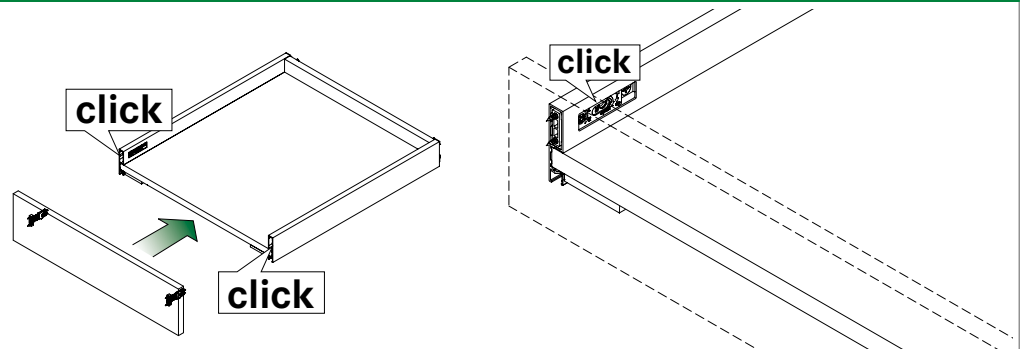
#### Removing the drawer

Pull out the drawer, actuate the lever of the front locking device on both sides and pull the drawer off the slide towards the front.



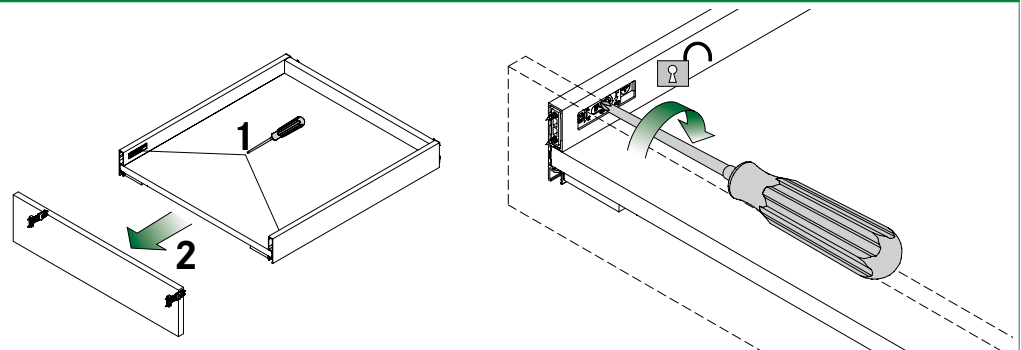
#### Front panel installation

Insert the front connection into the drawer sides. The front panel engages automatically and is fixed.



#### Removing the front panel

Use Pozidriv No. 2 screw driver to release.

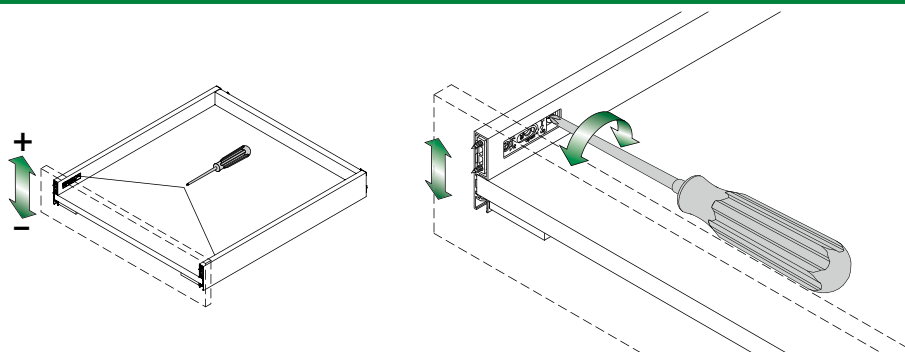


### PAGE REFERENCES

Drawer sides	11	Steel back panels	40	Assembly technology	80
Slides	26	Sensomatic	51	Assembly aids	84
Inset panels	32	Organising systems	69	Packaging code	91

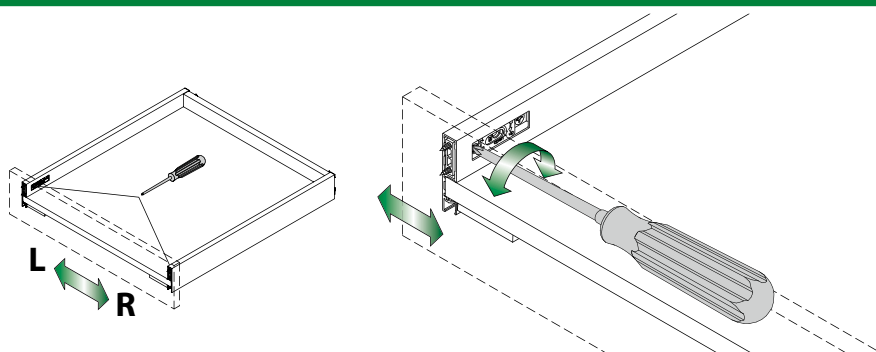
## ADJUSTMENTS

### Height adjustment with cam (+2/-1 mm)

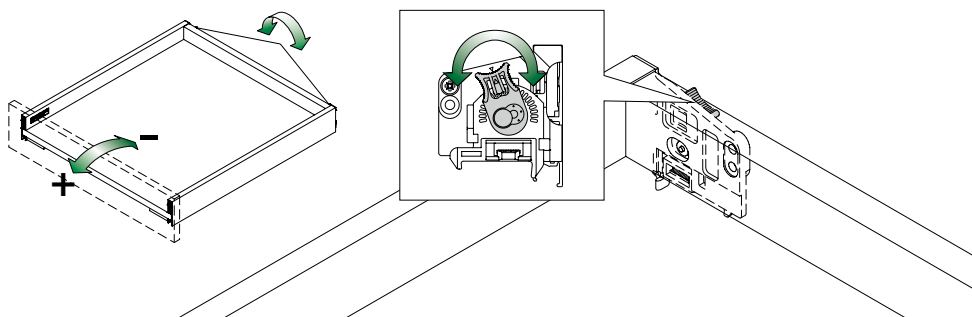


### Side adjustment ( $\pm 1.5$ mm)

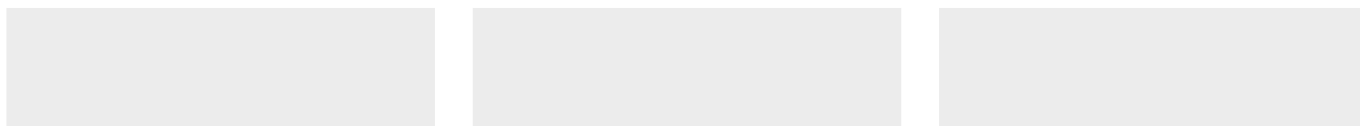
Adjust both sides.



### Front tilt angle adjustment (+2/-1 mm)



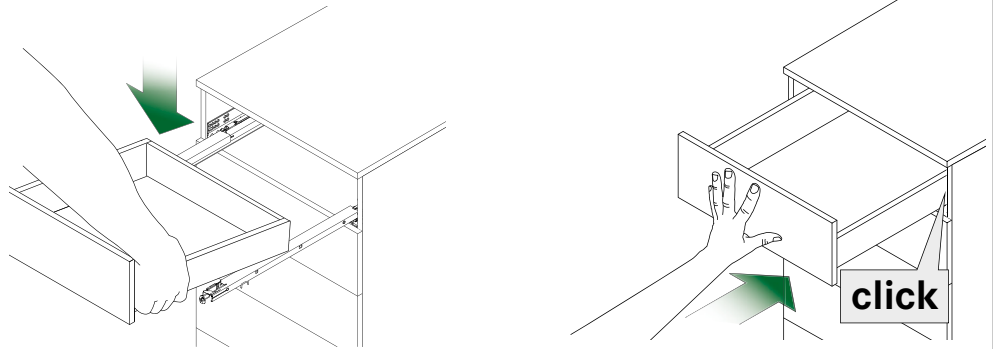
## LEGEND



### MOUNTING/DISMOUNTING

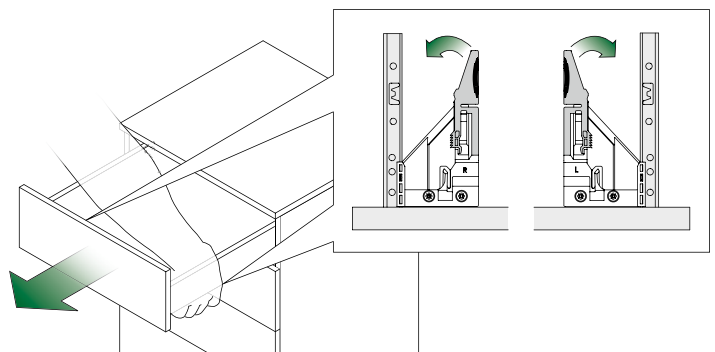
#### Inserting the drawer

Place the drawer on the extended slides.  
Push the drawer fully home.  
**Drawer engages automatically!**



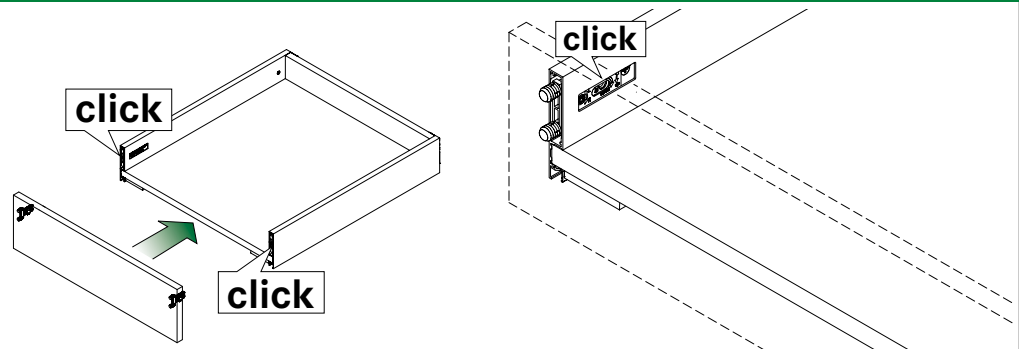
#### Removing the drawer

Pull out the drawer, actuate the lever of the front locking device on both sides and pull the drawer off the slide towards the front.



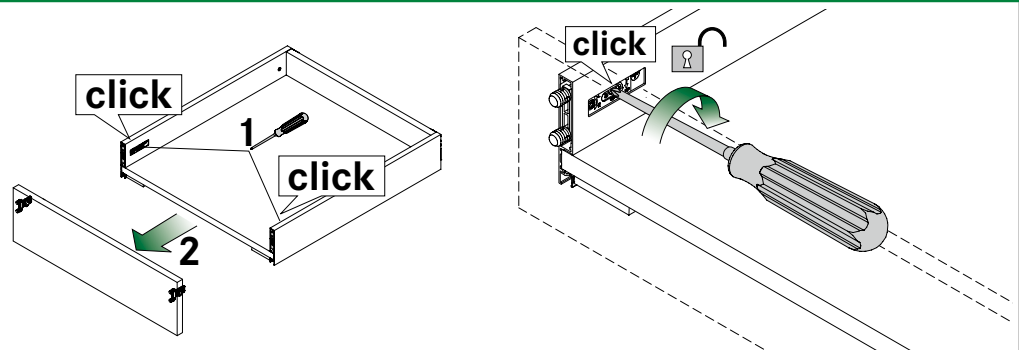
#### Front panel installation

Insert the front connection into the drawer sides. The front panel engages automatically and is fixed.



#### Removing the front panel

Use Pozidriv No. 2 screw driver to release.

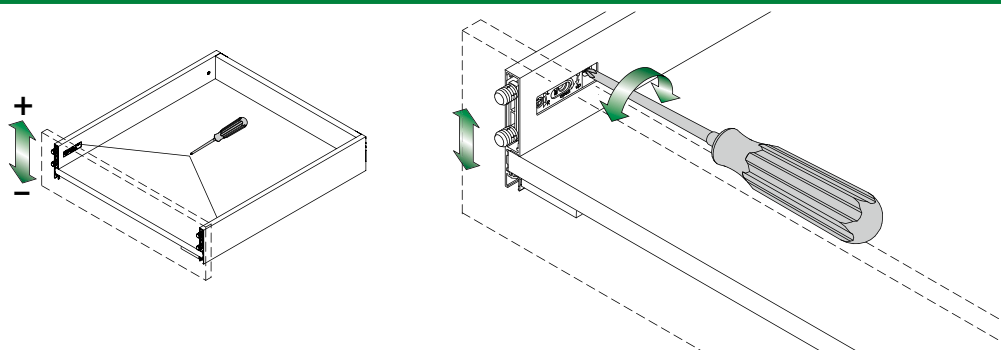


### PAGE REFERENCES

Drawer sides	11	Steel back panels	40	Assembly technology	80
Slides	26	Sensomatic	51	Assembly aids	84
Inset panels	32	Organising systems	69	Packaging code	91

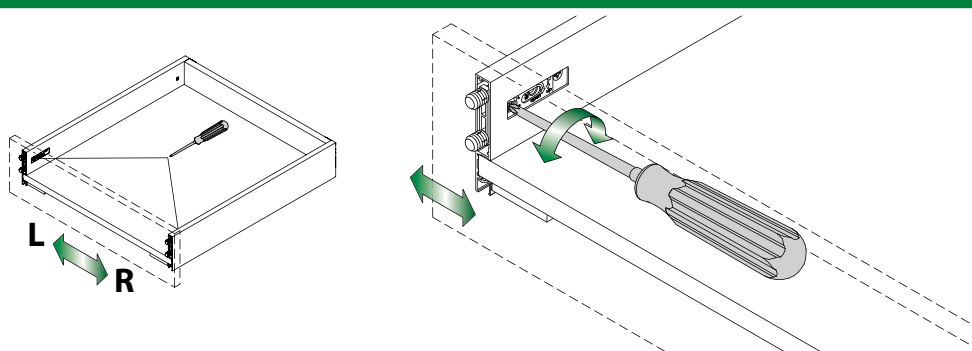
## ADJUSTMENTS

### Height adjustment with cam (+2.5/-1.5 mm)

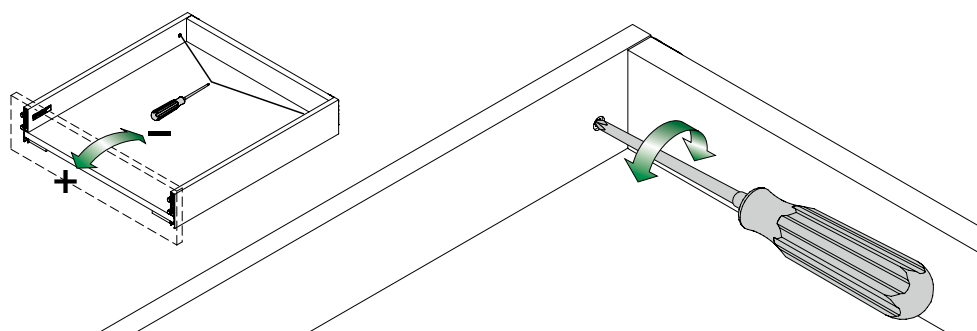


### Side adjustment ( $\pm 1.5$ mm)

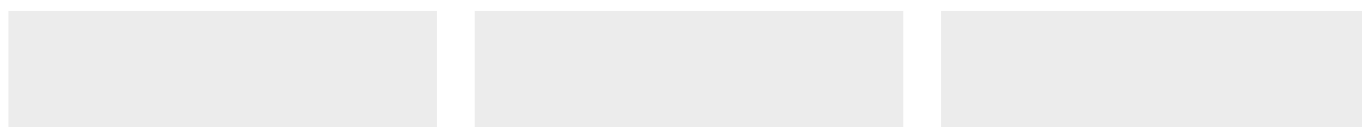
Adjust both sides.



### Front tilt angle adjustment (+2.5/-1.5 mm)



## LEGEND



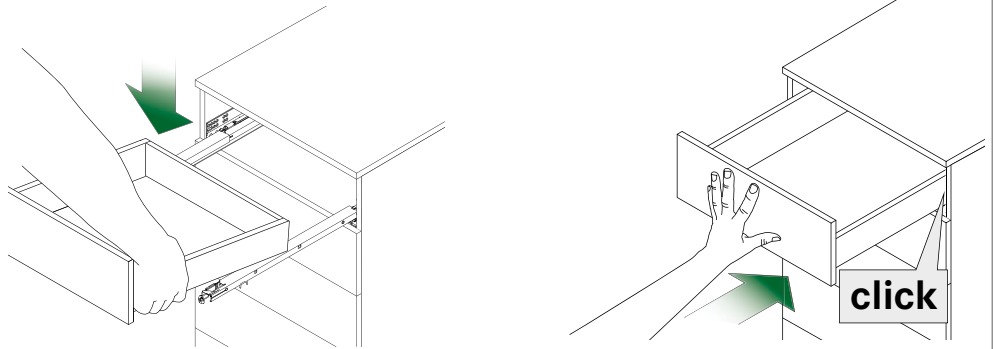
# VIONARO

Technical information H185/H249

## MOUNTING/DISMOUNTING

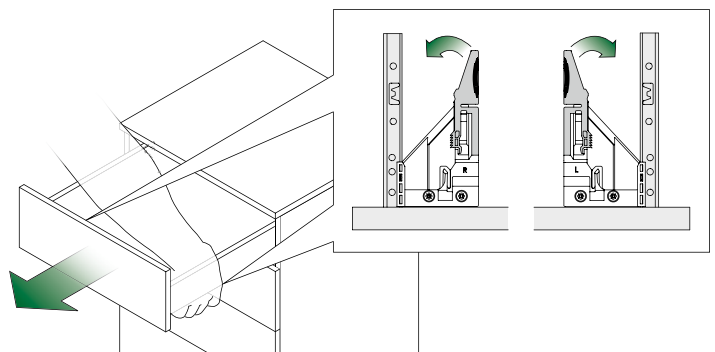
### Inserting the drawer

Place the drawer on the extended slides.  
Push the drawer fully home.  
**Drawer engages automatically!**



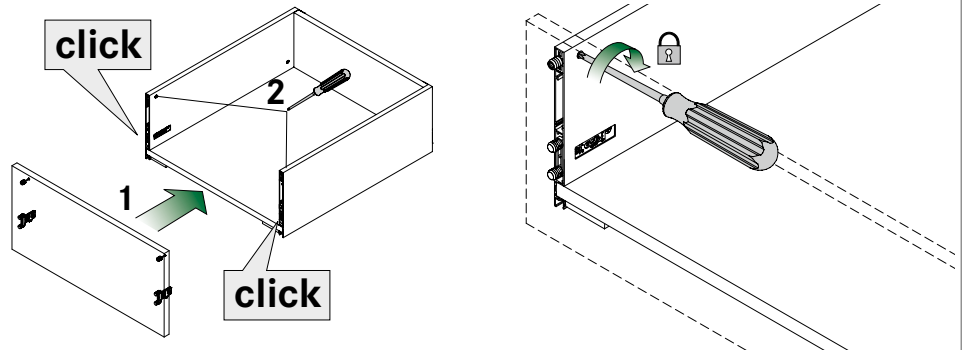
### Removing the drawer

Pull out the drawer, actuate the lever of the front locking device on both sides and pull the drawer off the slide towards the front.



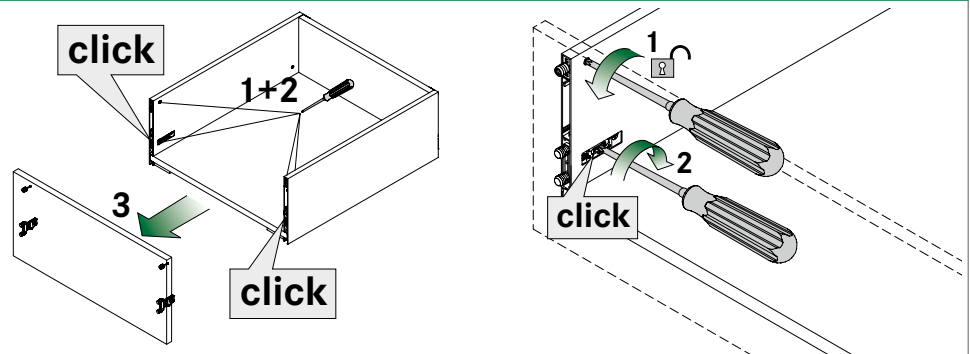
### Front panel installation

Insert the front connection into the drawer sides. The front panel engages automatically, fit the front stabiliser.



### Removing the front panel

Use Pozidriv No. 2 screw driver to release.

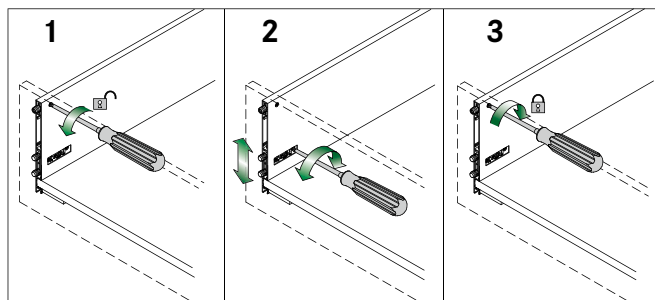
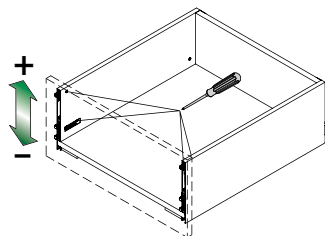


## PAGE REFERENCES

Drawer sides	11	Steel back panels	40	Assembly technology	80
Slides	26	Sensomatic	51	Assembly aids	84
Inset panels	32	Organising systems	69	Packaging code	91

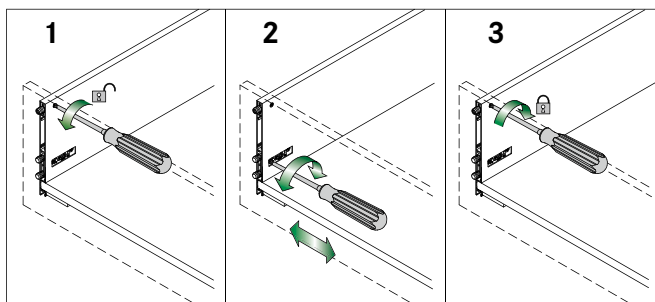
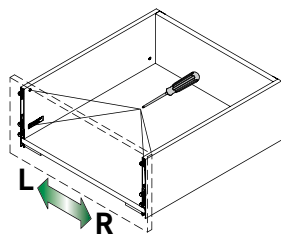
**ADJUSTMENTS**

**Height adjustment with cam (+2.5/-1.5 mm)**

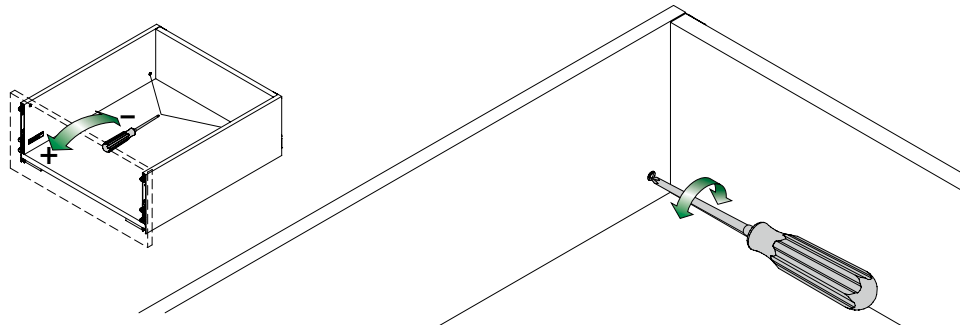


**Side adjustment ( $\pm 1.5$  mm)**

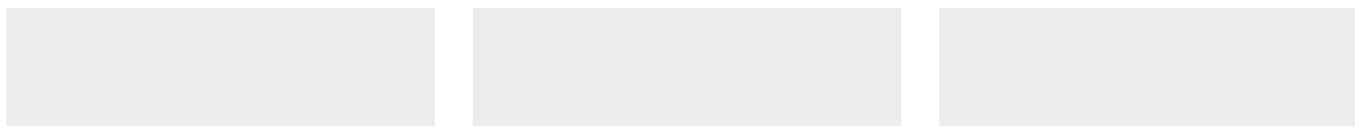
Adjust both sides.



**Front tilt angle adjustment (+2.5/-1.5 mm)**



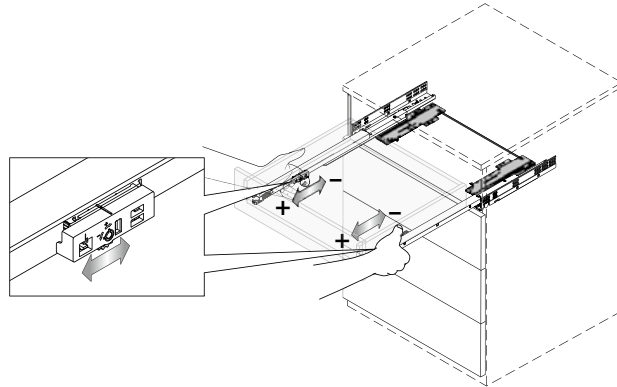
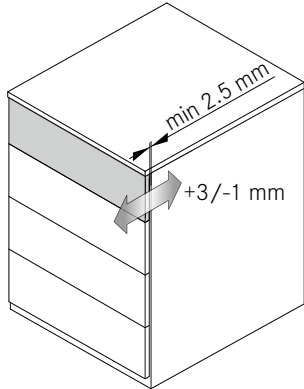
**LEGEND**



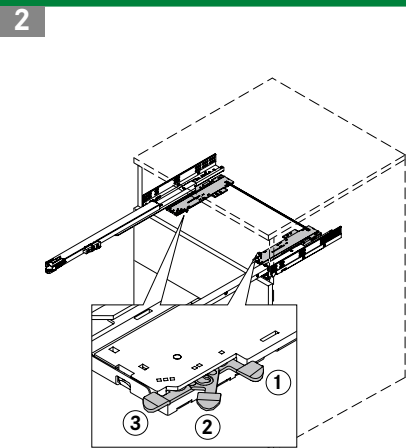
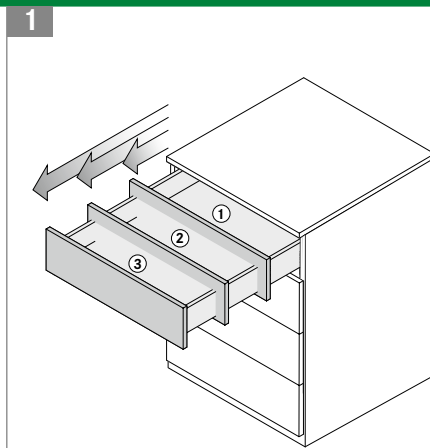
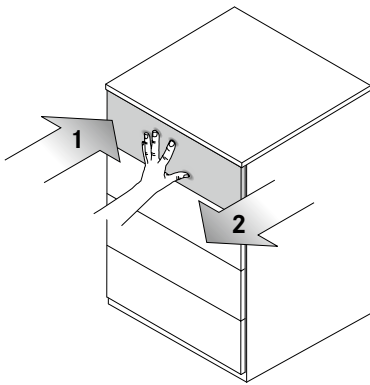


### DYNAPRO TIPMATIC SOFT-CLOSE

#### Front gap adjustment (+3 mm / -1 mm)



#### Opening force



#### PAGE REFERENCES

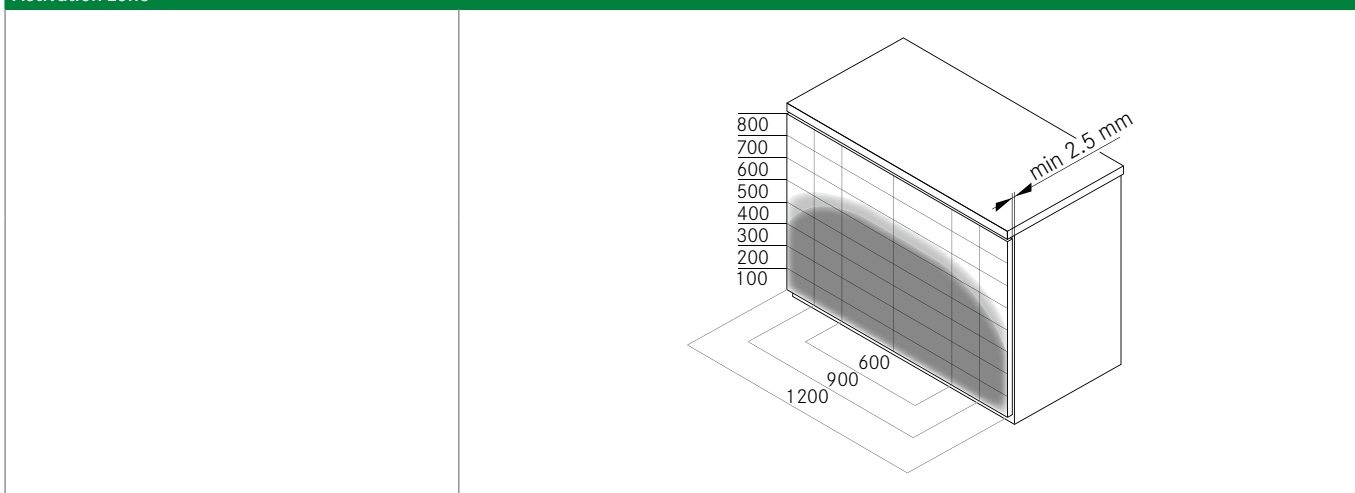
Drawer sides	11
Slides	26
Inset panels	32

Steel back panels	40
Sensomatic	51
Organising systems	69

Assembly technology	80
Assembly aids	84
Packaging code	91

## DYNAPRO TIPMATIC SOFT-CLOSE

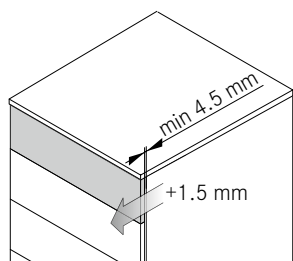
### Activation zone



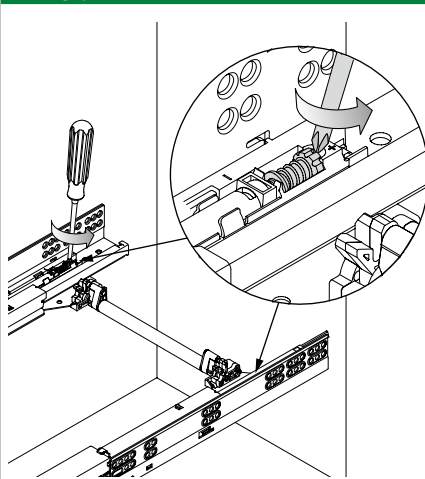
## DYNAPRO TIPMATIC

### Front gap adjustment (max. +1.5 mm)

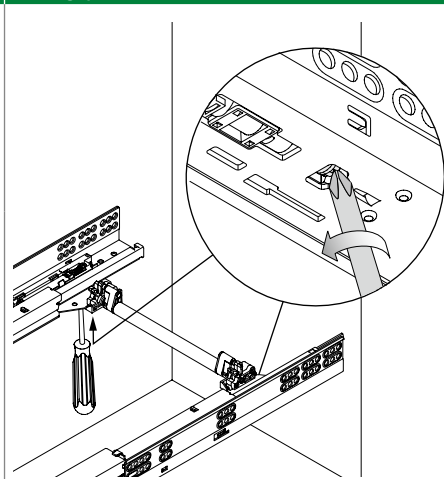
Reliable opening and closing of the drawer depends on the front gap adjustment (min. 4.5 mm = factory setting). If the front height is greater than 300 mm the front gap must be increased to the maximum 6 mm.



### Front gap adjustment from above



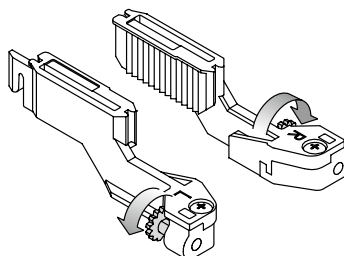
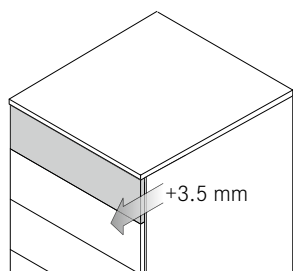
### Front gap adjustment from below



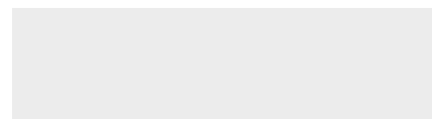
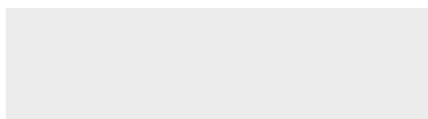
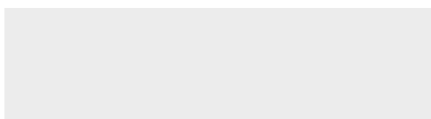
## DYNAPRO DEPTH ADJUSTMENT

### Depth adjustment (max. +3.5 mm)

Can be used for Dynapro Soft-close (not compatible with Dynapro Tipmatic and Dynapro Tipmatic Soft-close).



## LEGEND





#### SENSOMATIC OPENING SYSTEM

Small lever. Large effect.  
Functional technology starts with the detail.

QUALITY CERTIFICATE  
**LGAI**

**Ideally, the development of new movement systems focuses directly on its future users. Sensomatic is a perfect example.**

The electro-mechanical system supports the opening process with a small lever which gently starts the drawer movement. Sensomatic is extremely frugal. This is true of both the consumption of electricity and the space required by the drive unit behind the drawer.

The fact that the opening system can be triggered anywhere on the front surface means that it is a perfect movement system that already meets the functional requirements of the future.

# VIONARO SENSOMATIC

Electro-mechanical opening of drawers.

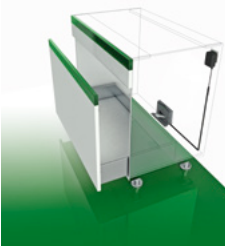
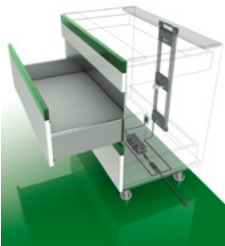
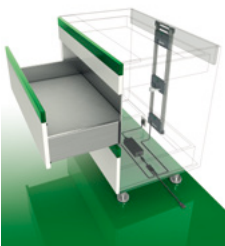
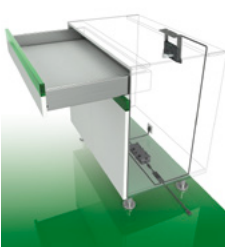
For a balance between stylish design and functional comfort.

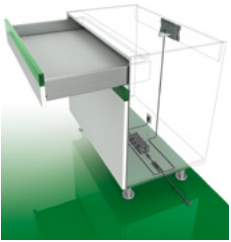
Product designation	Page
Sensomatic single set	54
Standard cabinet with horizontal wooden stretcher	56
Standard cabinet with vertical wooden stretcher	58
Single drawer with overhead frame set mounting	60
Single drawer with back panel frame set mounting	62
Installation instructions	64

# VIONARO SENSOMATIC

Electro-mechanical opening of drawers.

For a balance between stylish design and functional comfort.

	Product description	Page
	<p><b>Sensomatic single set</b></p> <ul style="list-style-type: none"> <li>• Complete set for a single drawer</li> <li>• For cabinet widths of up to 1200 mm</li> <li>• Easy to install</li> <li>• Very simple wiring (plug and play)</li> </ul>	54
	<p><b>Standard cabinet with horizontal wooden stretcher</b></p> <ul style="list-style-type: none"> <li>• Minimal additional space requirement between drawer back panel and cabinet</li> <li>• Very simple wiring (plug and play)</li> <li>• Just one drive unit for cabinet widths of up to 1200 mm</li> <li>• Large trigger range</li> </ul>	56
	<p><b>Standard cabinet with vertical wooden stretcher</b></p> <ul style="list-style-type: none"> <li>• Minimal additional space requirement between drawer back panel and cabinet</li> <li>• Very simple wiring (plug and play)</li> <li>• Just one drive unit for cabinet widths of up to 1200 mm</li> <li>• Large trigger range</li> </ul>	58
	<p><b>Single drawer with overhead frame set mounting</b></p> <ul style="list-style-type: none"> <li>• Minimal additional space requirement between drawer back panel and cabinet</li> <li>• Very simple wiring (plug and play)</li> <li>• Just one drive unit for cabinet widths of up to 1200 mm</li> <li>• Large trigger range</li> </ul>	60

	Product description	Page
	<p><b>Single drawer with back panel frame set mounting</b></p> <ul style="list-style-type: none"> <li>• Minimal additional space requirement between drawer back panel and cabinet</li> <li>• Very simple wiring (plug and play)</li> <li>• Just one drive unit for cabinet widths of up to 1 200 mm</li> <li>• Large trigger range</li> </ul>	62



# VIONARO SENSOMATIC

## Single set



- Electro-mechanical opening system
- Combines handle-free opening with Soft-close damping system
- 1 drive unit for all weight classes
- Easy to fit
- Simple plug and play wiring
- Small additional installation depth
- Single sets include all components necessary for installation
- Ideal for heavy pot drawers and waste separating systems

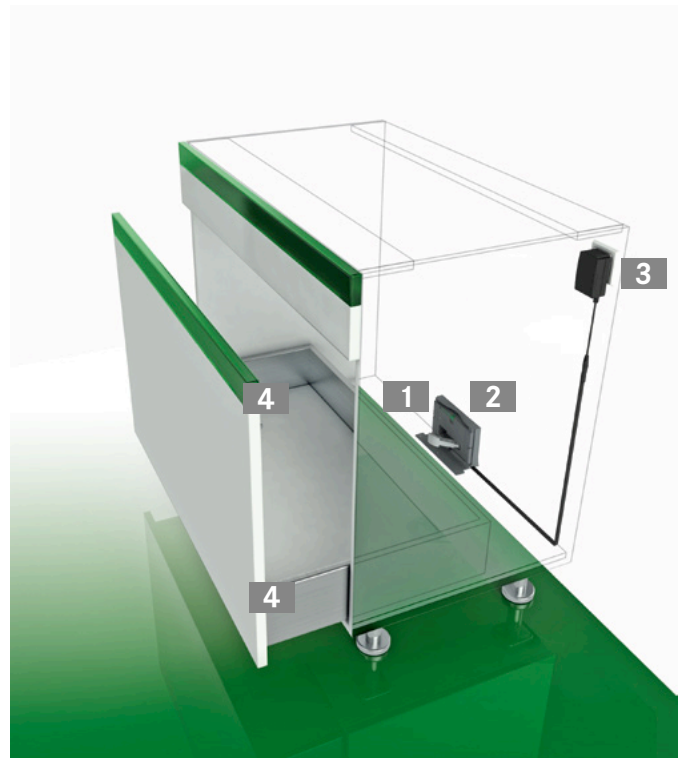
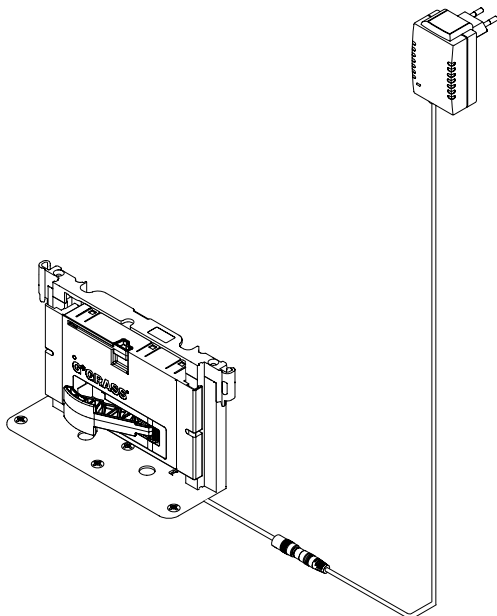
- **Note:**  
Other country-specific sets available on request

### ORDER INFORMATION

Sensomatic single set		
		Art.-no.
for Dynapro		<b>F121101208</b>
		PU
		<b>201</b>

1 set includes:

- 1 drive unit (1x)
- 2 installation set (1x)
- 3 power supply unit with plug (1x)  
(Central Europe, DE, FR, IT, CH, ES, RU, PT, NL)
- 4 spring-loaded front buffers (4x)  
drilling and installation instructions (1x)

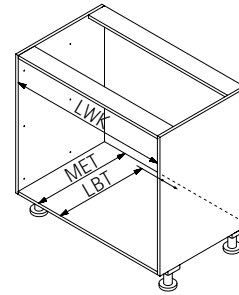
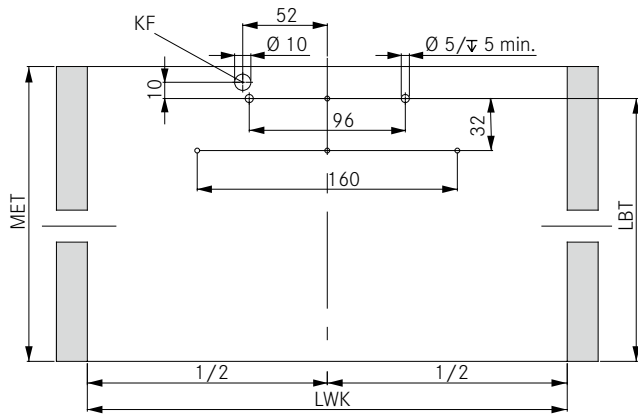


### PAGE REFERENCES

Drawer sides	11	Steel back panels	40	Assembly technology	80
Slides	26	Installation instructions	64	Assembly aids	84
Inset panels	32	Organising systems	69	Packaging code	91

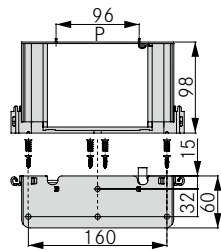
**PLANNING DIMENSIONS**

**Installation dimensions**

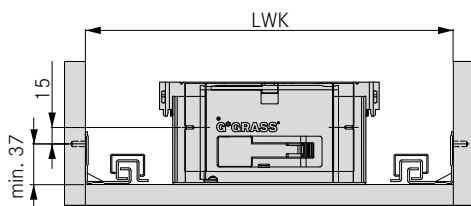


RW	min. LWK	MET	LBT
Wood	273	NL+15	NL

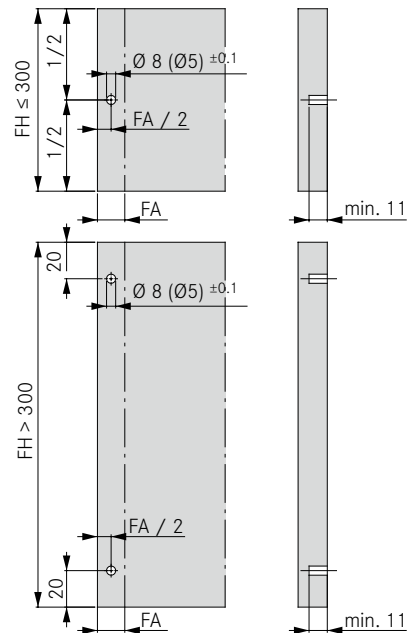
**Frame set**



**Position of drive unit**



**Position of front buffer**



**Note:**  
When installing 70 kg Dynapro slides, 4 front buffers must be inserted into the front.

**LEGEND**

FA	Front overlay
FH	Height of front
KF	Cable routing
LBT	Depth of hole pattern

LWK	Inside cabinet width
MET	Minimum installation depth
NL	Nominal length
P	Positioning aid

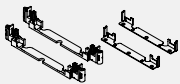
RW	Back panel
----	------------

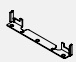
# VIONARO SENSOMATIC

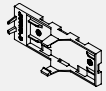
Standard cabinet with horizontal wooden stretcher


## ORDER INFORMATION



<b>1 Drive unit</b>			
	Art.-no.	PU	
for Dynapro	<b>F121101195</b>	<b>607</b>	


<b>3 Fastening set consisting of: items 3a (2x) and 3b (2x)</b>			
	Art.-no.	PU	
	<b>F121100610</b>	<b>507</b>	

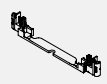
<b>3b Fixing brackets top/bottom</b>			
	Art.-no.	PU	
	<b>F121100270</b>	<b>211</b>	

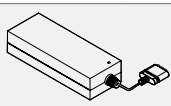
<b>5 Power supply unit holder</b>			
	Art.-no.	PU	
	<b>F121100604</b>	<b>507</b>	


<b>7 Connection cable with 2-way adapter</b>			
	Length	Art.-no.	PU
	600	<b>F121100288</b>	<b>207</b>
	1000	<b>F121100289</b>	<b>207</b>
	2000	<b>F121100291</b>	<b>207</b>

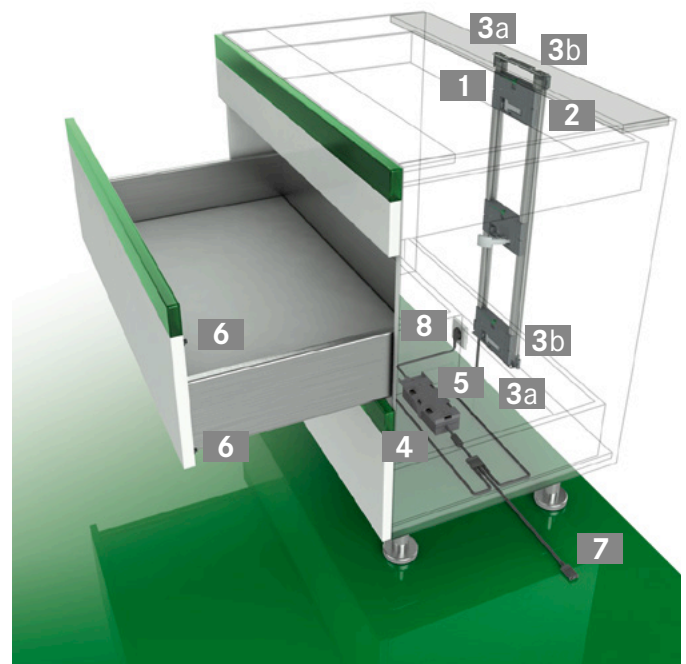
<b>8 Power supply cable</b>				
	K A E L D C			
	Plug	Art.-no.	PU	
	Power supply cable K (USA, CAN)	<b>F120069760</b>	<b>207</b>	
	Power supply cable K (JP)	<b>F120072445</b>	<b>207</b>	
	Power supply cable A (DE, ES, FR, IT, RU, NL, SE)	<b>F120069761</b>	<b>207</b>	
	Power supply cable E (DK)	<b>F120069763</b>	<b>207</b>	
	Power supply cable L (CH)	<b>F120069765</b>	<b>207</b>	
	Power supply cable D (UK, AE, MY)	<b>F120069766</b>	<b>207</b>	
	Mains cable C (AU, NZ)	<b>F120078669</b>	<b>207</b>	
	without plug	<b>F120069767</b>	<b>207</b>	

<b>2 Frame sides including frame side cable</b>			
	Length	Art.-no.	PU
	653	<b>F121100284</b>	<b>207</b>
	750	<b>F121100285</b>	<b>207</b>
	1170	<b>F121100286</b>	<b>207</b>

<b>3a Frame connector</b>			
	Art.-no.	PU	
	<b>F121100282</b>	<b>211</b>	

<b>4 Power supply unit</b>			
	Art.-no.	PU	
	<b>F121100269</b>	<b>607</b>	

<b>6 Front buffer, spring-loaded</b>				
	Ø	Front gap	Art.-no.	PU
	5	2.2	<b>F121100294</b>	<b>223</b>
		3	<b>F121100295</b>	<b>223</b>
	8	2.2	<b>F121100297</b>	<b>223</b>
		3	<b>F121100298</b>	<b>223</b>

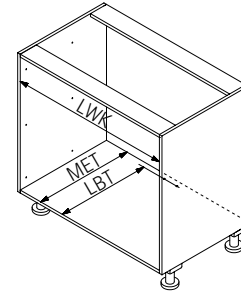
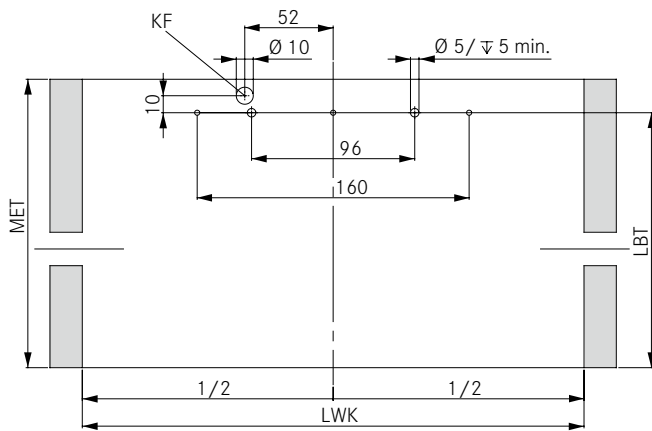


## PAGE REFERENCES

Drawer sides	11	Steel back panels	40	Assembly technology	80
Slides	26	Installation instructions	64	Assembly aids	84
Inset panels	32	Organising systems	69	Packaging code	91

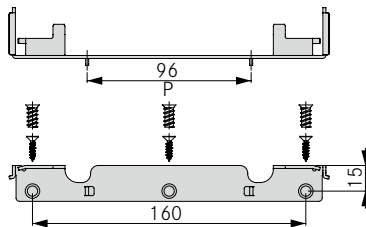
**PLANNING DIMENSIONS**

**Installation dimensions**

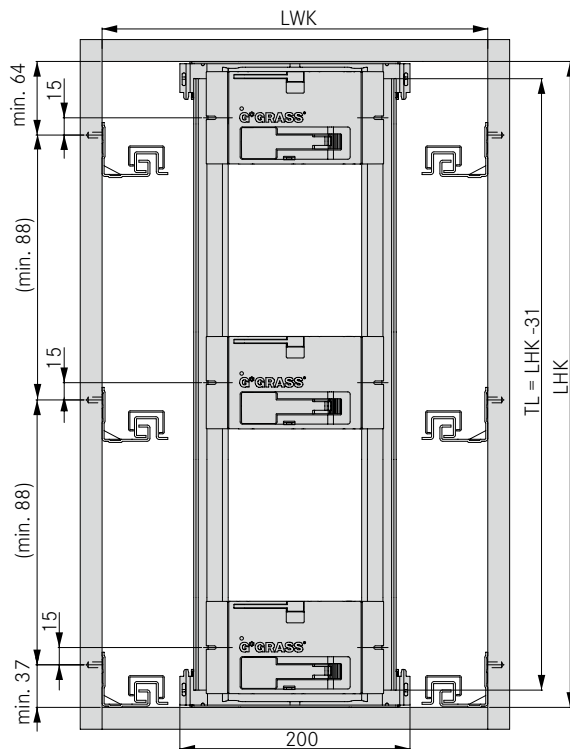


RW	min. LWB	MET	LBT
Wood	273	NL+15	NL

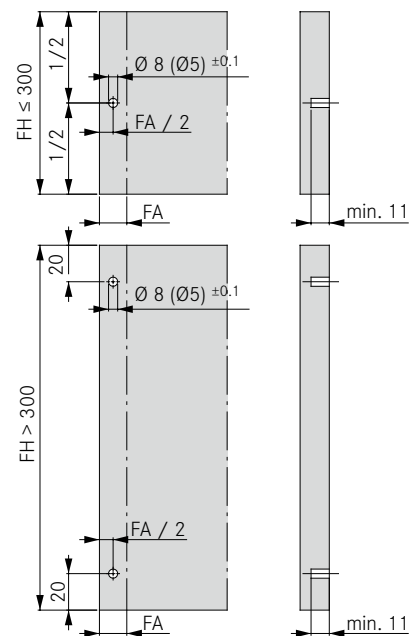
**Fixing brackets, top/bottom**



**Position of drive unit**



**Position of front buffer**



**Note:**

When installing 70 kg Dynapro slides, 4 front buffers must be inserted into the front.

**LEGEND**

FA Front overlay  
FH Height of front  
KF Cable routing  
LBT Depth of hole pattern

LHK Inside cabinet height  
LWB Inside cabinet width  
MET Minimum installation depth  
NL Nominal length

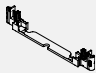
P Positioning aid  
RW Back panel  
TL Length of frame side

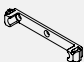
# VIONARO SENSOMATIC

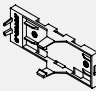
Standard cabinet with vertical wooden stretcher


## ORDER INFORMATION



1 Drive unit		
		
	Art.-no.	PU
for Dynapro	F121101195	607


3 Frame connector		
		
	Art.-no.	PU
	F121100282	211


5 Fixing bracket, back inside mounted		
		
	Art.-no.	PU
	F121100275	207

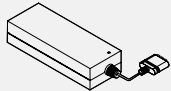
7 Power supply unit holder		
		
	Art.-no.	PU
	F121100604	507


9 Connection cable with 2-way adapter		
		
	Art.-no.	PU
Length		
600	F121100288	207
1000	F121100289	207
2000	F121100291	207

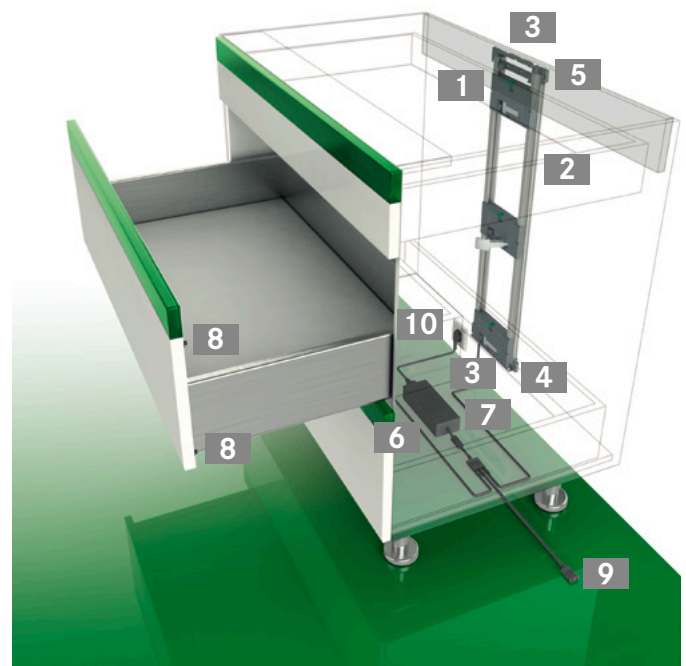
10 Power supply cable		
 		
	Art.-no.	PU
Plug		
Power supply cable K (USA, CAN)	F120069760	207
Power supply cable K (JP)	F120072445	207
Power supply cable A (DE, ES, FR, IT, RU, NL, SE)	F120069761	207
Power supply cable E (DK)	F120069763	207
Power supply cable L (CH)	F120069765	207
Power supply cable D (UK, AE, MY)	F120069766	207
Mains cable C (AU, NZ)	F120078669	207
without plug	F120069767	207

2 Frame sides including frame side cable		
		
	Art.-no.	PU
Length		
653	F121100284	207
750	F121100285	207
1170	F121100286	207

4 Fixing brackets top/bottom		
		
	Art.-no.	PU
	F121100270	211

6 Power supply unit		
		
	Art.-no.	PU
	F121100269	607

8 Front buffer, spring-loaded			
			
	Art.-no.	PU	
Ø	Front gap		
5	2.2	F121100294	223
	3	F121100295	223
8	2.2	F121100297	223
	3	F121100298	223



## PAGE REFERENCES

Drawer sides	11	Steel back panels	40	Assembly technology	80
Slides	26	Installation instructions	64	Assembly aids	84
Inset panels	32	Organising systems	69	Packaging code	91

**PLANNING DIMENSIONS**

**Installation dimensions**

RW	min. LWK	MET	LBT
Wood	273	NL+15	NL

**Fixing bracket, top/bottom**

**Fixing bracket, back, inside mounted**

**Position of drive unit**

**Position of front buffer**

**Note:**  
When installing 70 kg Dynapro slides, 4 front buffers must be inserted into the front.

**LEGEND**

<b>FA</b>	Front overlay	<b>LHK</b>	Inside cabinet height	<b>P</b>	Positioning aid
<b>FH</b>	Height of front	<b>LWK</b>	Inside cabinet width	<b>RW</b>	Back panel
<b>KF</b>	Cable routing	<b>MET</b>	Minimum installation depth	<b>TL</b>	Length of frame side
<b>LBT</b>	Depth of hole pattern	<b>NL</b>	Nominal length		



# VIONARO SENSOMATIC

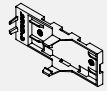
Single drawer with overhead frame set mounting


## ORDER INFORMATION


<b>1 Drive unit</b>			
			
		Art.-no.	PU
for Dynapro		<b>F121101195</b>	607



<b>2 Installation set</b>			
			
		Art.-no.	PU
		<b>F121100273</b>	207

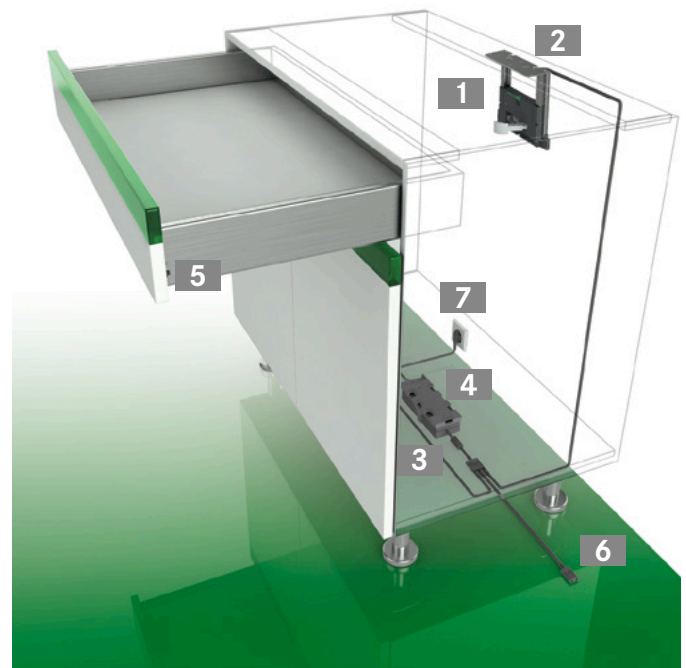
<b>3 Power supply unit</b>			
			
		Art.-no.	PU
		<b>F121100269</b>	607

<b>4 Power supply unit holder</b>			
			
		Art.-no.	PU
		<b>F121100604</b>	507

<b>5 Front buffer, spring-loaded</b>			
			
Ø	Front gap	Art.-no.	PU
5	2.2	<b>F121100294</b>	223
	3	<b>F121100295</b>	223
8	2.2	<b>F121100297</b>	223
	3	<b>F121100298</b>	223

<b>6 Connection cable with 2-way adapter</b>			
			
Length	Art.-no.	PU	
600	<b>F121100288</b>	207	
1000	<b>F121100289</b>	207	
2000	<b>F121100291</b>	207	

<b>7 Power supply cable</b>			
 			
Plug		Art.-no.	PU
Power supply cable K (USA, CAN)		<b>F120069760</b>	207
Power supply cable K (JP)		<b>F120072445</b>	207
Power supply cable A (DE, ES, FR, IT, RU, NL, SE)		<b>F120069761</b>	207
Power supply cable E (DK)		<b>F120069763</b>	207
Power supply cable L (CH)		<b>F120069765</b>	207
Power supply cable D (UK, AE, MY)		<b>F120069766</b>	207
Mains cable C (AU, NZ)		<b>F120078669</b>	207
without plug		<b>F120069767</b>	207

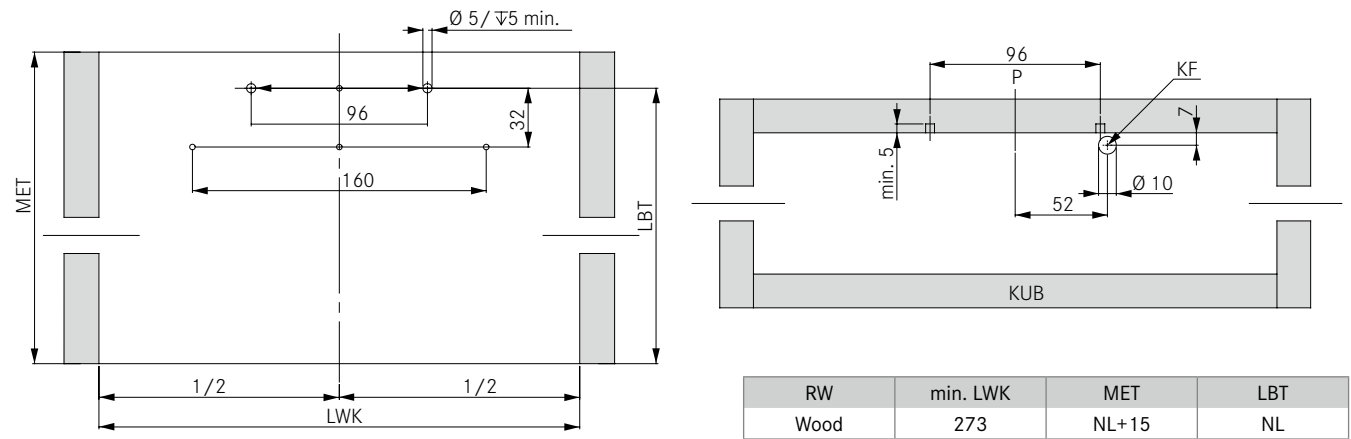


## PAGE REFERENCES

Drawer sides	11	Steel back panels	40	Assembly technology	80
Slides	26	Installation instructions	64	Assembly aids	84
Inset panels	32	Organising systems	69	Packaging code	91

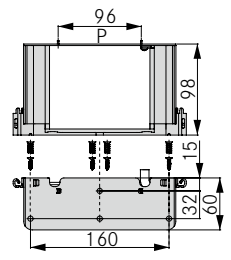
**PLANNING DIMENSIONS**

**Installation dimensions**

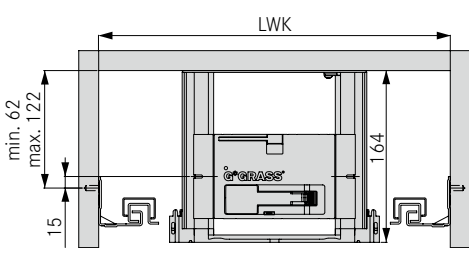


RW	min. LWK	MET	LBT
Wood	273	NL+15	NL

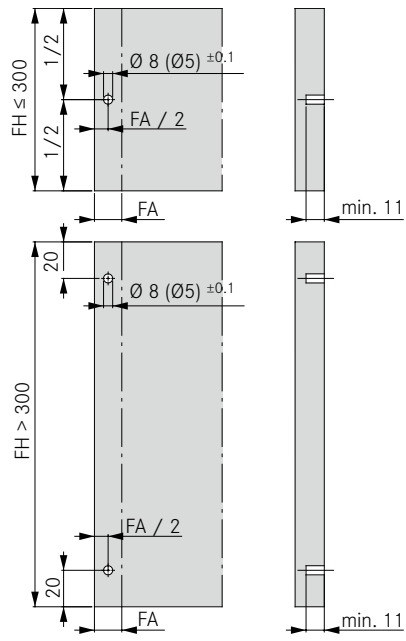
**Frame set**



**Position of drive unit**



**Position of front buffer**



**Note:**  
When installing 70 kg Dynapro slides, 4 front buffers must be inserted into the front.

**LEGEND**


FA	Front overlay	LBT	Depth of hole pattern	P	Positioning aid
FH	Height of front	LWK	Inside cabinet width	RW	Back panel
KF	Cable routing	MET	Minimum installation depth		
KUB	Cabinet base	NL	Nominal length		

# VIONARO SENSOMATIC

Single drawer with back panel frame set mounting

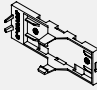
## ORDER INFORMATION


<b>1 Drive unit</b>			
	Art.-no.	PU	
for Dynapro	<b>F121101195</b>	607	


<b>2 Frame sides for back panel frame set mounting including hole drilling</b>			
	Art.-no.	PU	
	<b>F121100283</b>	207	

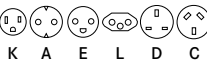
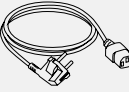
<b>3 Frame connector</b>			
	Art.-no.	PU	
	<b>F121100282</b>	211	

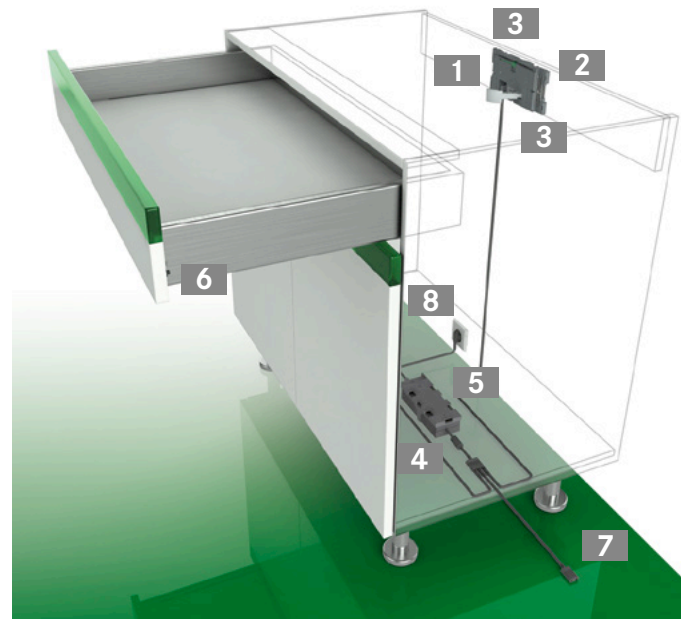
<b>4 Power supply unit</b>			
	Art.-no.	PU	
	<b>F121100269</b>	607	

<b>5 Power supply unit holder</b>			
	Art.-no.	PU	
	<b>F121100604</b>	507	

<b>6 Front buffer, spring-loaded</b>				
	Ø	Front gap	Art.-no.	PU
	5	2.2	<b>F121100294</b>	223
		3	<b>F121100295</b>	223
	8	2.2	<b>F121100297</b>	223
		3	<b>F121100298</b>	223

<b>7 Connection cable with 2-way adapter</b>			
	Length	Art.-no.	PU
	600	<b>F121100288</b>	207
	1000	<b>F121100289</b>	207
	2000	<b>F121100291</b>	207

<b>8 Power supply cable</b>	 		
	K A E L D C		
<b>Plug</b>	Art.-no.	PU	
Power supply cable K (USA, CAN)	<b>F120069760</b>	207	
Power supply cable K (JP)	<b>F120072445</b>	207	
Power supply cable A (DE, ES, FR, IT, RU, NL, SE)	<b>F120069761</b>	207	
Power supply cable E (DK)	<b>F120069763</b>	207	
Power supply cable L (CH)	<b>F120069765</b>	207	
Power supply cable D (UK, AE, MY)	<b>F120069766</b>	207	
Mains cable C (AU, NZ)	<b>F120078669</b>	207	
without plug	<b>F120069767</b>	207	

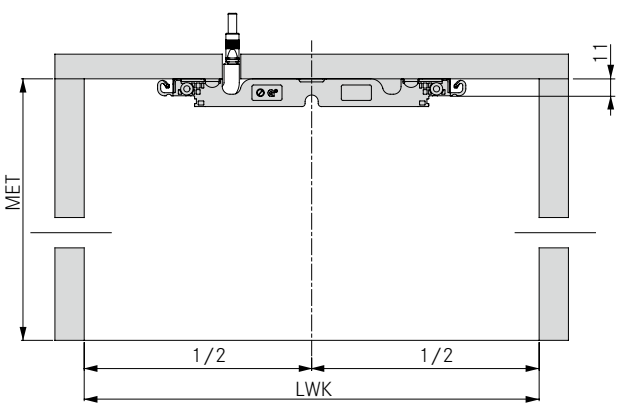


## PAGE REFERENCES

Drawer sides	11	Steel back panels	40	Assembly technology	80
Slides	26	Installation instructions	64	Assembly aids	84
Inset panels	32	Organising systems	69	Packaging code	91

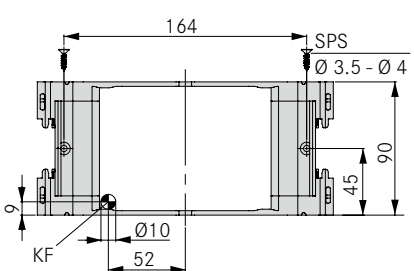
**PLANNING DIMENSIONS**

Installation dimensions

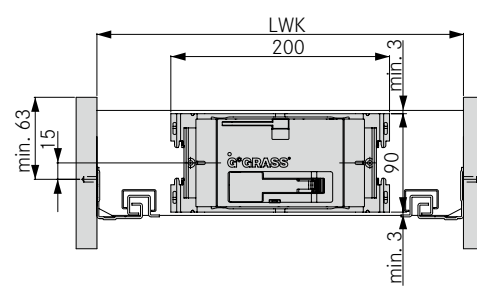


RW	min. LWK	MET
Wood	273	NL+15

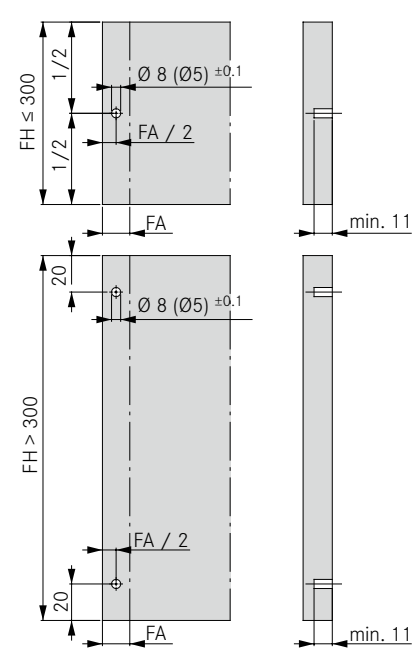
Frame sides



Position of drive unit



Position of front buffer



**Note:**  
When installing 70 kg Dynapro slides, 4 front buffers must be inserted into the front.

**LEGEND**

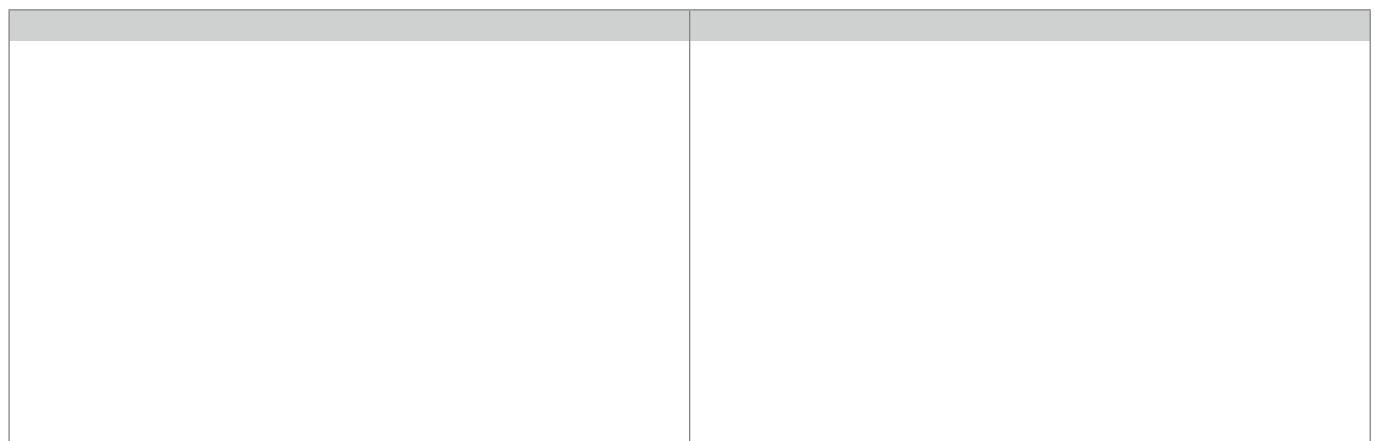
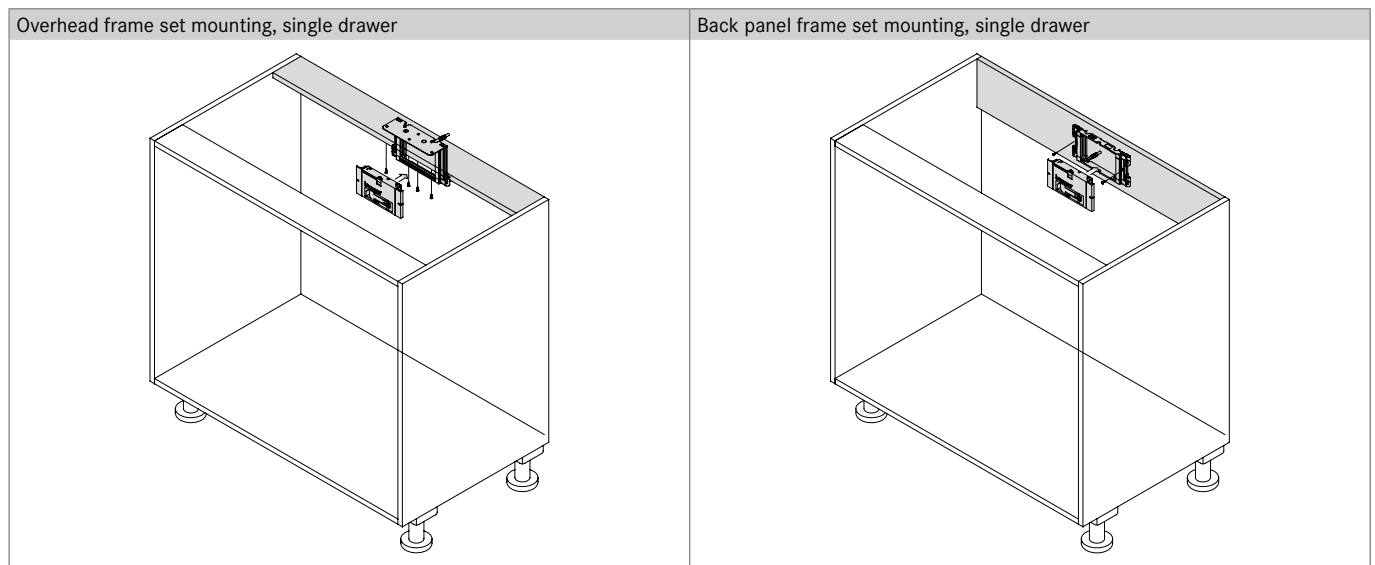
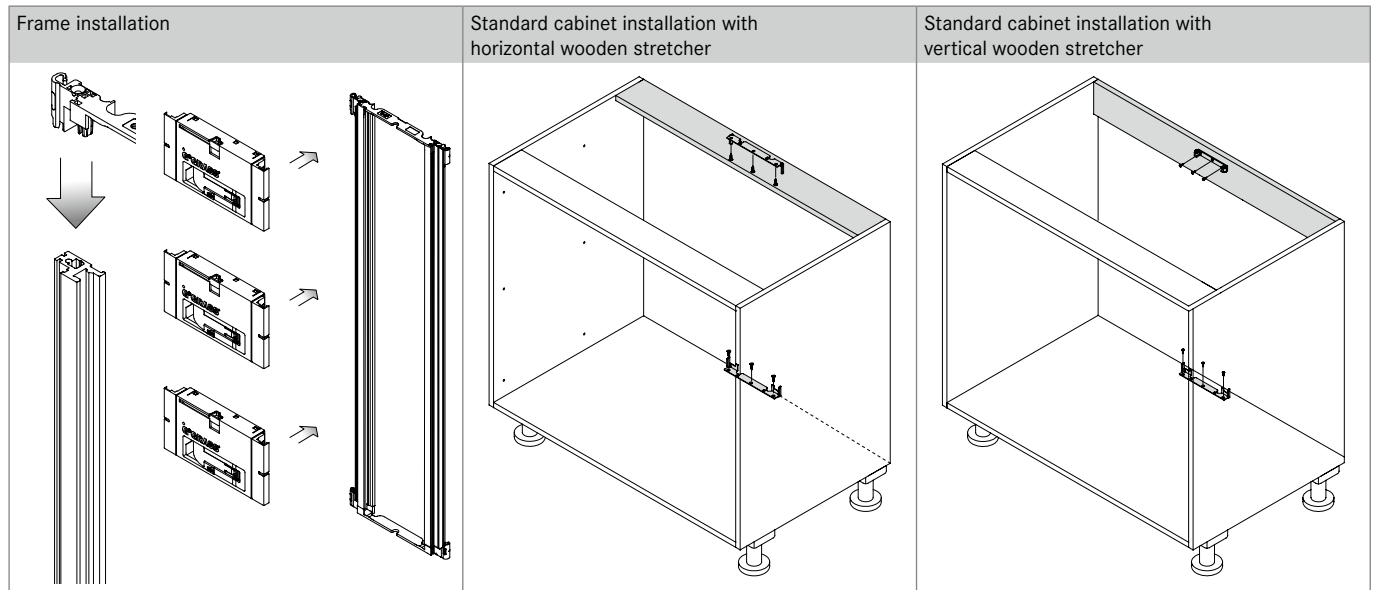
FA	Front overlay
FH	Height of front
KF	Cable routing
LWK	Inside cabinet width

MET	Minimum installation depth
NL	Nominal length
RW	Back panel
SPS	Chipboard screw

# VIONARO SENSOMATIC

## Installation instructions

### INSTALLATION INSTRUCTIONS

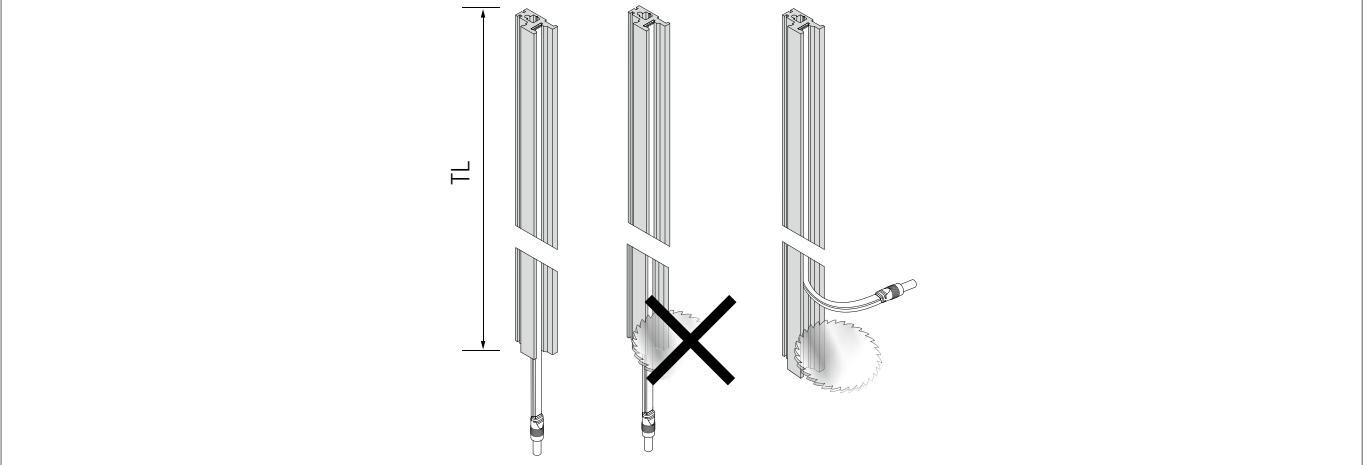


### PAGE REFERENCES

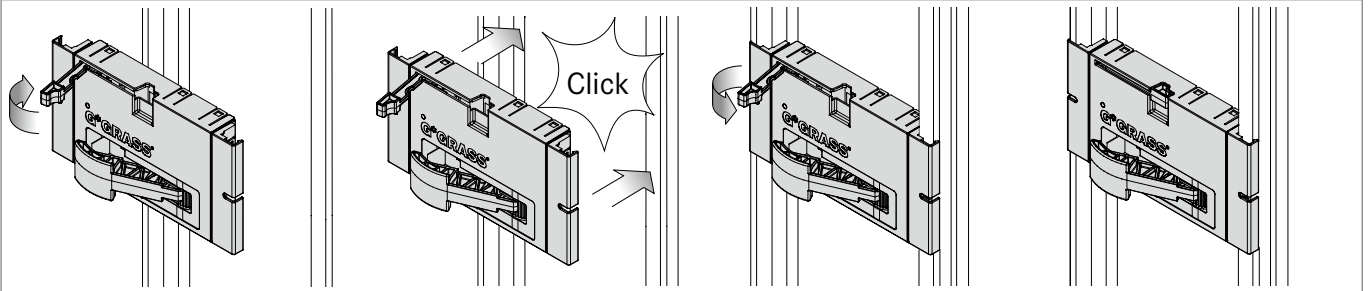
Horizontal wooden stretcher	56	Back panel frame set mounting	62	Steel back panels	40
Vertical wooden stretcher	58	Drawer sides	11	Assembly technology	80
Overhead frame set mounting	60	Slides	26	Packaging code	91

**INSTALLATION INSTRUCTIONS**

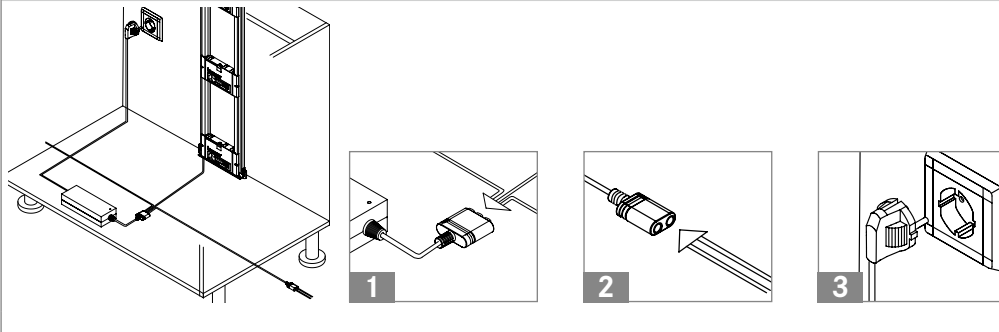
Cutting frame element to length (horizontal and vertical wooden stretchers)



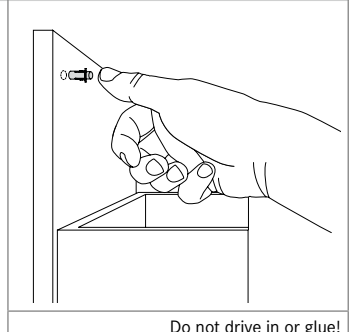
Installation of drive unit



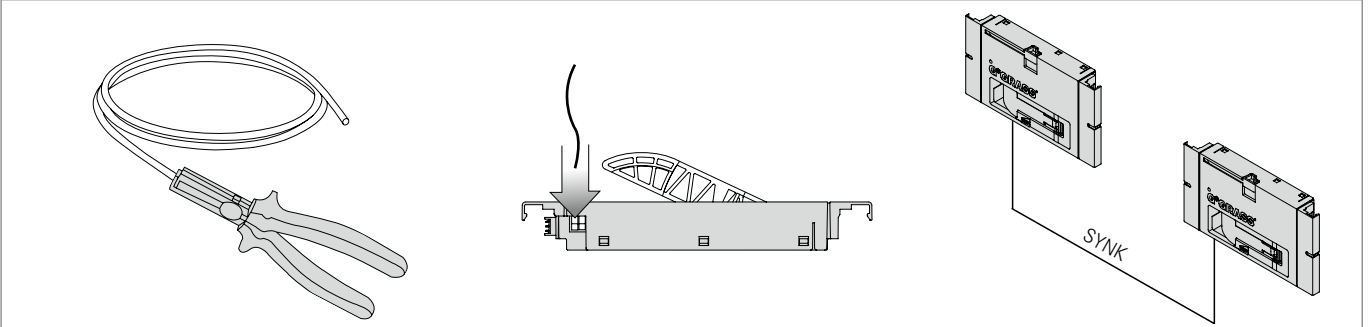
Wiring (connection sequence)



Inserting front buffer



Installing the synchronisation cable



**LEGEND**

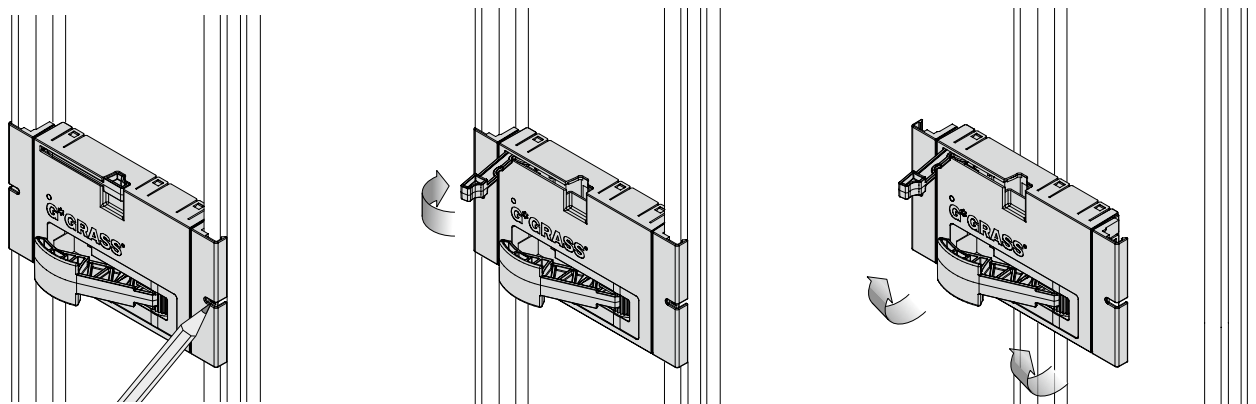
**SYNK** Synchronisation cable  
**TL** Length of frame side

# VIONARO SENSOMATIC

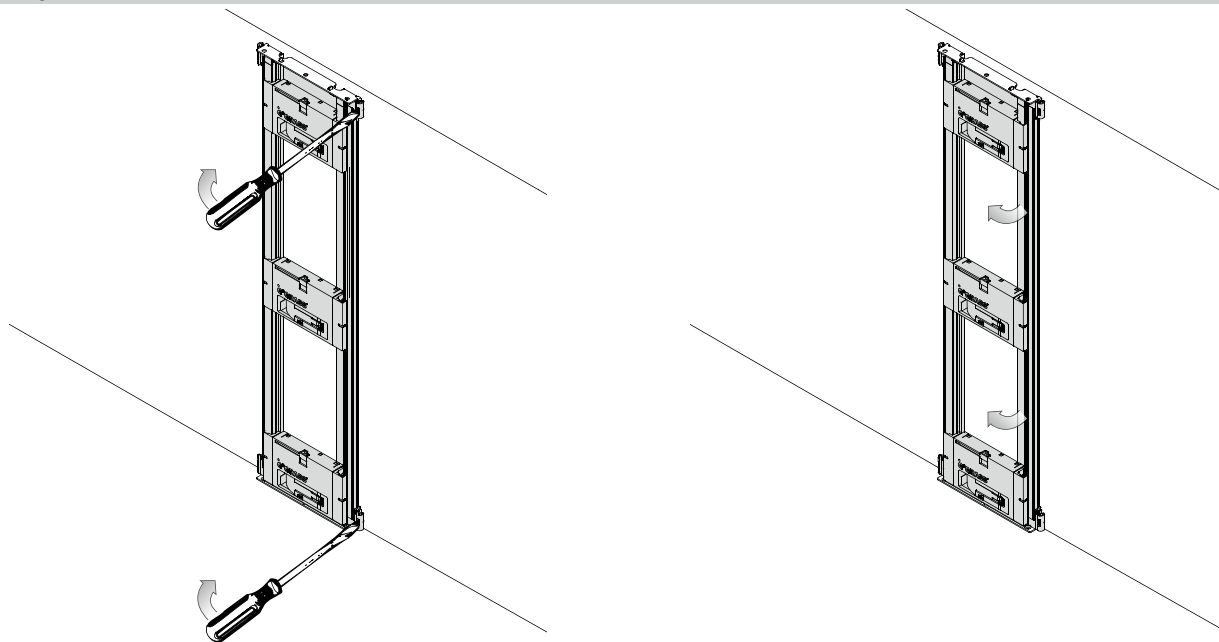
## Dismantling instructions

### DISMOUNTING

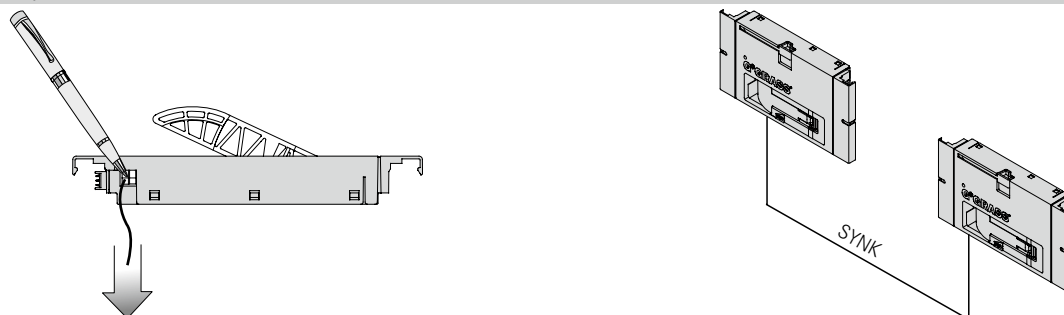
#### Dismantling the drive unit



#### Dismantling the frame sides



#### Dismantling the synchronisation cable



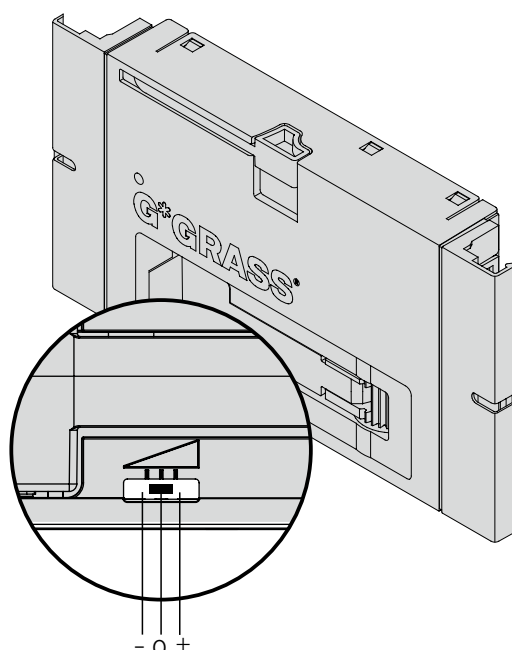
### PAGE REFERENCES

Horizontal wooden stretcher	56	Back panel frame set mounting	62	Steel back panels	40
Vertical wooden stretcher	58	Drawer sides	11	Assembly technology	80
Overhead frame set mounting	60	Slides	26	Packaging code	91



## ADJUSTMENT

Variable drive force



### NOTES

- Cabinet must be level
- System must be disconnected for installation and dismantling!
- Provide switched sockets
- From a cabinet width of 1200 mm we recommend the installation of 2 drive units. The synchronisation cable ensures that these units are activated simultaneously.
- **Important:**  
In the area of the drive lever, no screws must be inserted into the drawer back panel
- With each power supply unit it is possible to operate up to 30 drive units

### TECHNICAL DATA

- **Application area**  
only in dry, indoor rooms
- **Power supply unit**  
Voltage supply: 100 to 240 V  
Power supply frequency: 50 to 60 Hz  
Max. power output: 230 W
- **Drive unit**  
Voltage supply: 24 V
- **Operating conditions**  
Temperature: 0 to 50 °C  
Relative humidity: 15 to 90 %  
non-condensing

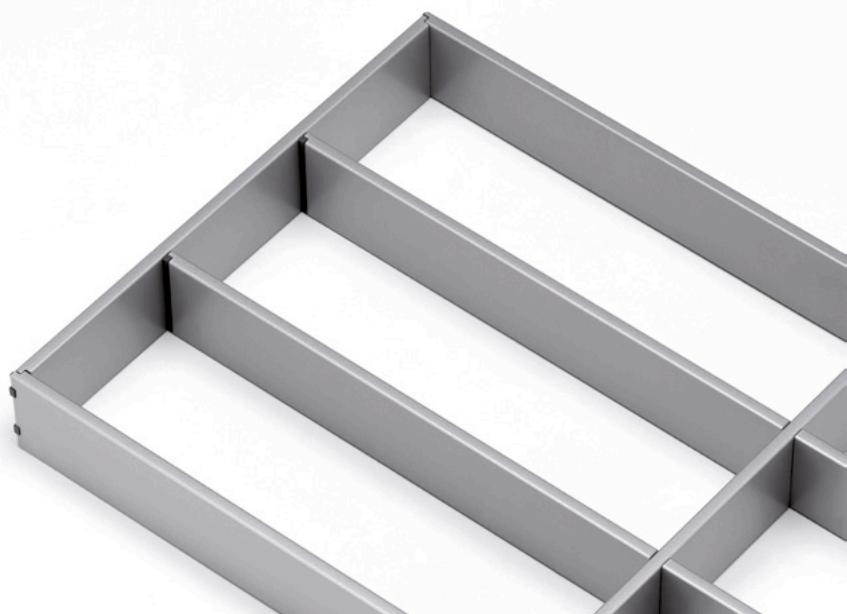
### LEGEND

**SYNK** Synchronisation cable




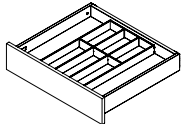

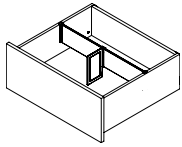
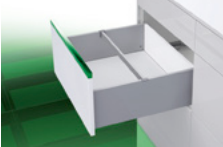
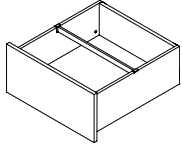
## Tavinea Sorto. Simple. Attractive. Tidy.

The high-quality frame elements are made up of 6 mm narrow metal profiles, making the new interior accessory system with its modern graphical design both functional and attractive. In addition, the innovative corner connection of the frames ensures firm attachment to the base and scratch-free positioning at the side walls. Order can also be attractive. Purist, sleek design, matt surfaces, timeless colours - the understated elegance of Tavinea Sorto ensures that drawers look attractive whether in the kitchen, bathroom, living room or bedroom.



# DIVIDING AND ORGANISING SYSTEMS

Organising, dividing, fitting out – useful aids for organising storage space.

	Product description		Page
	<p><b>Tavinea Sorto</b></p> <ul style="list-style-type: none"> <li>• Modular interior accessory system</li> <li>• Perfect organisation for cutlery and small items</li> <li>• High-quality frames and divider rails made of powder-coated steel</li> </ul>		70
	<p><b>Tavinea Optima</b></p> <ul style="list-style-type: none"> <li>• Dividing system for pot drawers</li> <li>• Organises the storage space for clear and tidy arrangement</li> <li>• Easy installation without tools</li> </ul>		76
	<p><b>Divider railing</b></p> <ul style="list-style-type: none"> <li>• Divider railing for all Vionaro regular and pot drawers</li> <li>• Tipmatic element integrated into the slide</li> <li>• Can be retrofitted at any time</li> <li>• Tool-free adjustment</li> </ul>		78

# TAVINEA SORTO

Interior accessory system



- Perfect organisation for cutlery and small items
- High-quality frames and divider rails made of powder-coated steel
- Colour-coordinated
- Innovative anti-slip device ensures firm seating on the base panel

#### Packaging unit (PU):

201 = 1 unit in a cardboard box  
207 = 10 units in a cardboard box

#### Notes:

- Tavinea Sorto B186 can be used with cabinet widths from 300
- Tavinea Sorto B276 can be used with cabinet widths from 400

## ORDER INFORMATION

1 Tavinea Sorto B186 Single item									
NL	Silver grey			Graphite					
	Art.-no.	PU		Art.-no.	PU				
350	F007130148	201		F007130149	201				
400	F007130151	201		F007130152	201				
450	F007130154	201		F007130155	201				
500	F007130157	201		F007130158	201				
550	F007130160	201		F007130161	201				
600	F007130163	201		F007130164	201				
650	F007130166	201		F007130167	201				

2 Tavinea Sorto B276 Single item									
NL	Silver grey			Graphite					
	Art.-no.	PU		Art.-no.	PU				
400	F007130130	201		F007130131	201				
450	F007130133	201		F007130134	201				
500	F007130136	201		F007130137	201				
550	F007130139	201		F007130140	201				
600	F007130142	201		F007130143	201				
650	F007130145	201		F007130146	201				

3 Tavinea Sorto divider rail Single item									
NL	Silver grey			Graphite					
	Art.-no.	PU		Art.-no.	PU				
350	F007130169	207		F007130170	207				
400	F007130172	207		F007130173	207				
450	F007130175	207		F007130176	207				
500	F007130178	207		F007130179	207				
550	F007130181	207		F007130182	207				
600	F007130184	207		F007130185	207				
650	F007130187	207		F007130188	207				

## PAGE REFERENCES

Drawer sides	11	Steel back panels	40	Installation information	74
Slides	26	Sensomatic	51	Assembly technology	80
Inset panels	32	Accessories	72	Assembly aids	84

**1 Tavinea Sorto B186**



NL 350



NL 400 - 500



NL 550 - 650

**2 Tavinea Sorto B276**



NL 400



NL 450 - 500

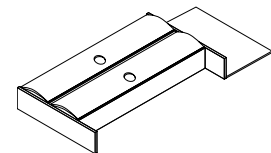
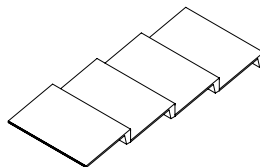
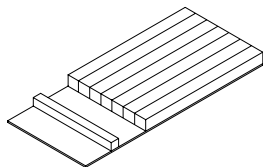


NL 550 - 650

**3 Tavinea Sorto divider rail**



Tavinea Sorto accessories see page 72



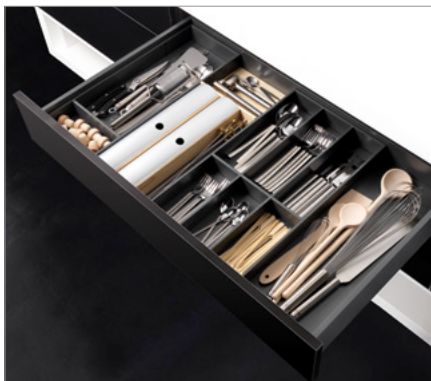
**LEGEND**

B Width  
KB Cabinet width  
NL Nominal length



# TAVINEA SORTO

## Accessories



- The right accessories for all requirements
- Knives, spice jars, cooking foil, cutlery or Eau de Toilette – with Tavinea Sorto accessories, everything has its perfect place
- High-quality materials: Aluminium and solid wood

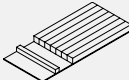
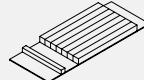
### Packaging unit (PU):

201 = 1 unit in a cardboard box

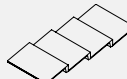
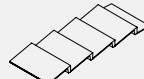
### Note:

Accessories are hygiene-tested and non-toxic

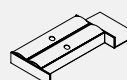
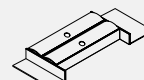
## ORDER INFORMATION

1 Knife block Single item						
	NL 450	PU	NL 500	PU	NL 550 <sup>1</sup>	PU
Light ash	F007108661	201	F007102418	201	F007102418 F007108659	201
Dark ash	F007108662	201	F007102424	201	F007102424 F007108660	201

<sup>1</sup> NL 550 comprises a knife block and levelling element. Please order both article numbers.

2 Spice rack Single item				
	NL 500	PU	NL 550 <sup>1</sup>	PU
Light ash	F007102420	201	F007102420 F007108659	201
Dark ash	F007102426	201	F007102426 F007108660	201

<sup>1</sup> NL 550 comprises a spice rack and levelling element. Please order both article numbers.

3 Foil holder Single item				
	NL 500	PU	NL 550 <sup>1</sup>	PU
Light ash	F007102422	201	F007102422 F007108659	201
Dark ash	F007102428	201	F007102428 F007108660	201

<sup>1</sup> NL 550 comprises a foil holder and levelling element. Please order both article numbers.

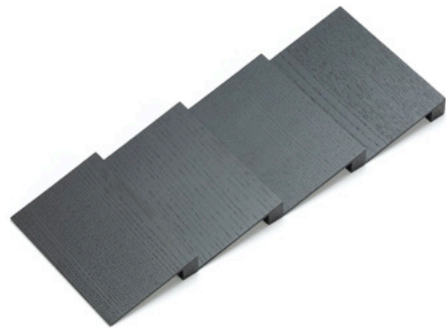
## PAGE REFERENCES

Drawer sides	11	Steel back panels	40	Installation information	74
Slides	26	Sensomatic	51	Assembly technology	80
Inset panels	32	Tavinea Sorto	70	Assembly aids	84

1 Knife block



2 Spice rack



3 Foil holder



LEGEND

NL Nominal length

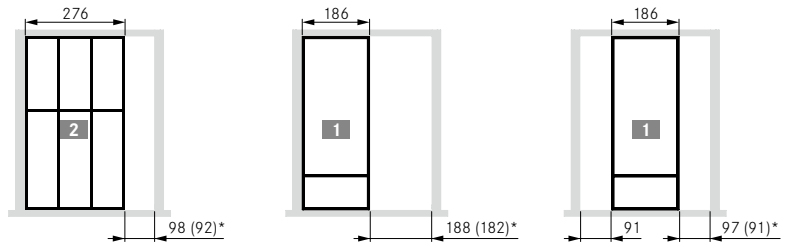
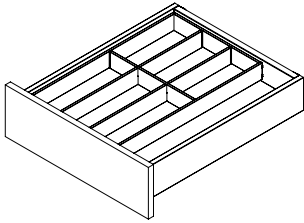


# TAVINEA SORTO

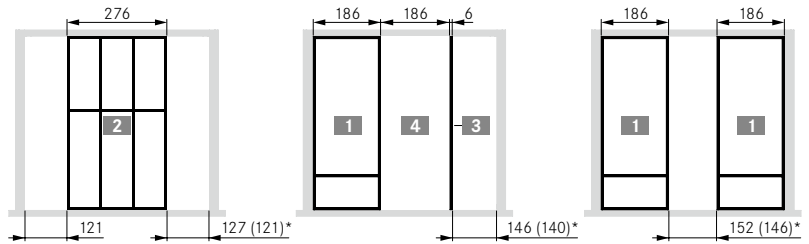
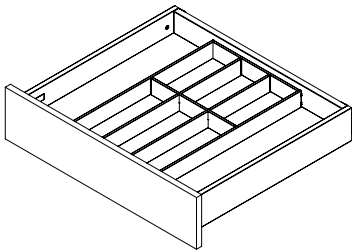
## Installation information

### APPLICATION EXAMPLES

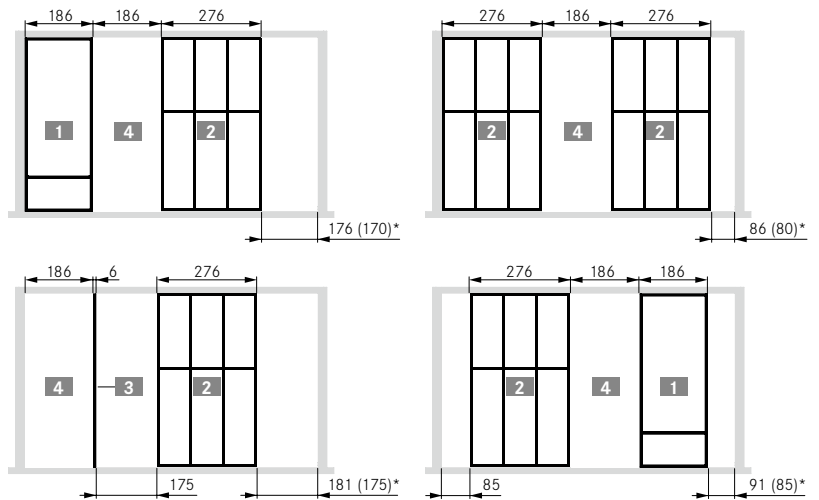
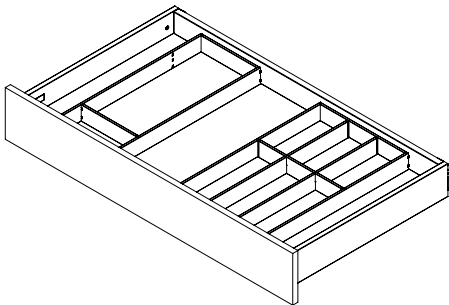
#### KB 450



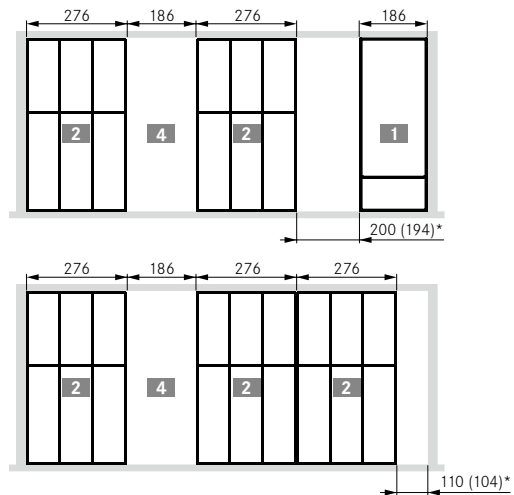
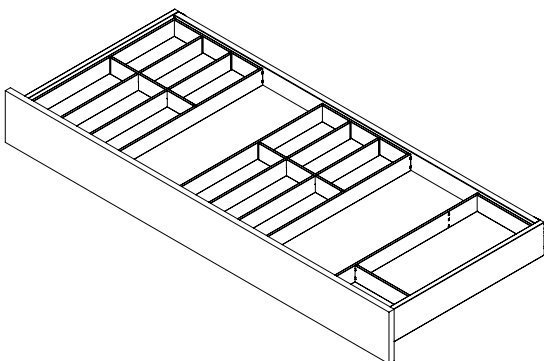
#### KB 600



#### KB 900



#### KB 1200

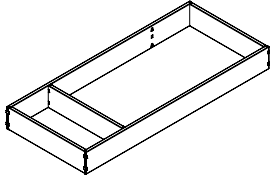


\* S16 (S19)

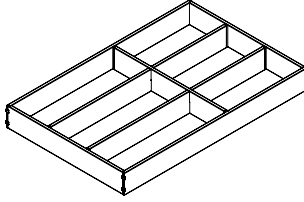
**APPLICATION EXAMPLE**

**Description**

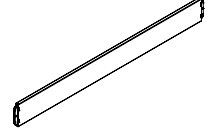
**1**



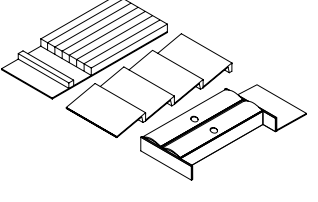
**2**

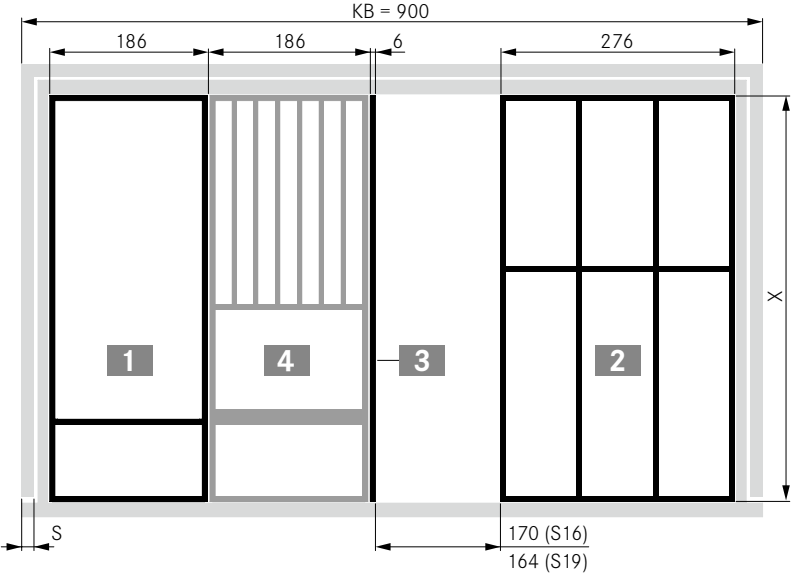


**3**



**4**

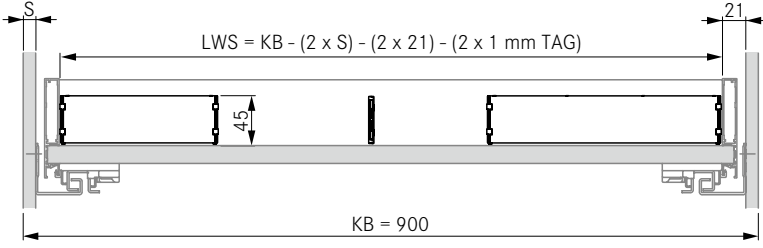




NL	X
350	322
400	372
450	422
500	472
550	523
600	573
650	623

**INSTALLATION INFORMATION**

**Description**



S	External cabinet width (KB)									
	300	400	500	600	700	800	900	1000	1100	1200
16	224	324	424	524	624	724	824	924	1024	1124
18	220	320	420	520	620	720	820	920	1020	1120
19	218	318	418	518	618	718	818	918	1018	1118
Internal dimension (LWS)										

**LEGEND**

KB Cabinet width  
LWS Clear drawer width  
NL Nominal length  
S Cabinet side wall

TAG Tolerance compensation

# TAVINEA OPTIMA

## Dividing system



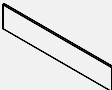


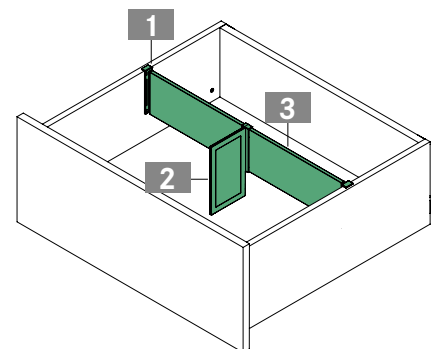
- Dividing system for pot drawers
- Organises the storage space for clear and tidy arrangement
- Easy installation without tools
- Can be adjusted without tools for variable use of the storage space
- Can be retrofitted at any time
- Colour-coordinated with drawer sides

### Packaging unit (PU):

- 211 = 20 units in a cardboard box
- 507 = 10 units in PE in a cardboard box
- 511 = 20 units in PE in a cardboard box

## ORDER INFORMATION

<b>1 Tavinea Optima profile clip</b> Single item: can be used on left/right															
		Silver grey			Graphit			Snow white							
		Art.-no.	PU		Art.-no.	PU		Art.-no.	PU						
		F007130230	511		F007130228	511		F007130229	511						
<b>2 Tavinea Optima Smartboard</b> Single item															
		Silver grey			Graphit			Snow white							
		Art.-no.	PU		Art.-no.	PU		Art.-no.	PU						
		F007130247	211		F007130245	211		F007130246	211						
<b>3 Tavinea Optima divider profile</b> Single item: for cutting to length															
L			Silver grey			Graphit			Snow white						
	Art.-no.	PU		Art.-no.	PU		Art.-no.	PU							
1108	F007130241	507		F007130242	507		F007130243	507							



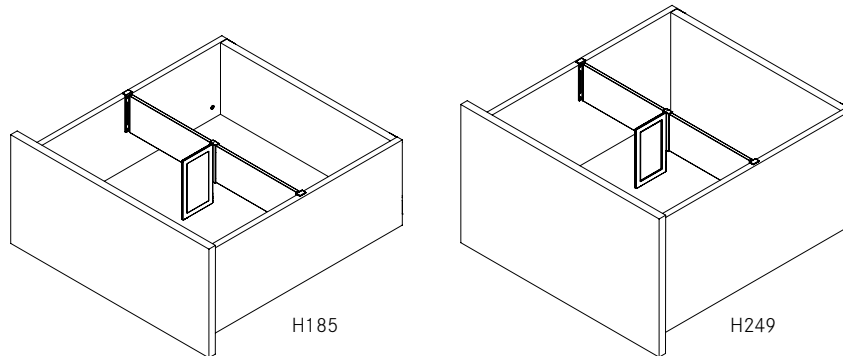
## PAGE REFERENCES

Drawer sides	11	Steel back panels	40	Assembly aids	84
Slides	26	Sensomatic	51	Packaging code	91
Inset panels	32	Assembly technology	80		

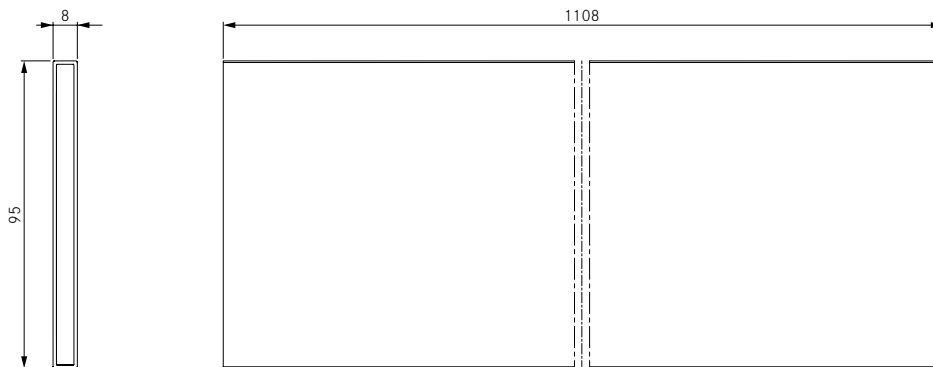
**PLANNING DIMENSIONS**

All dimensions in millimetres

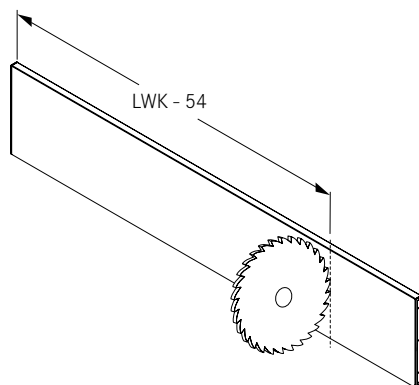
**Applications**



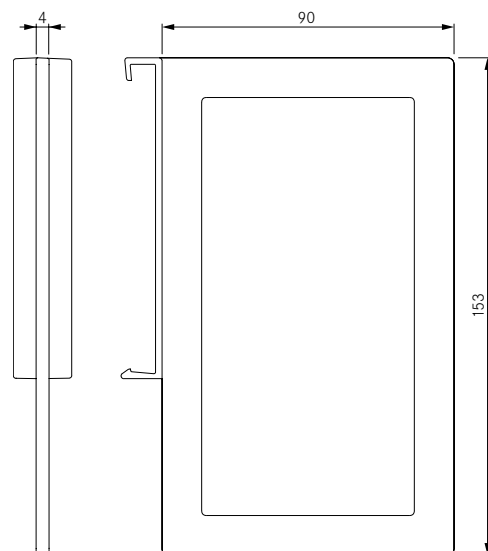
**Divider profile**



**Cutting dimensions, divider profile**



**Smartboard**

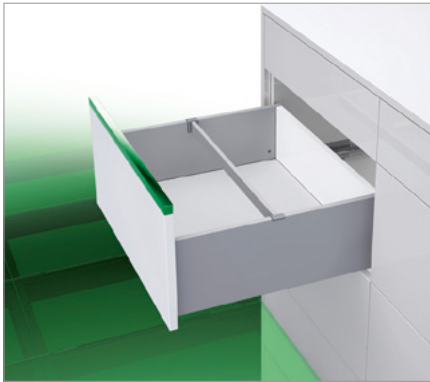


**LEGEND**

**L** Length  
**LWK** Inside cabinet width

# VIONARO

## Divider railing




- Divider railing for all Vionaro regular and pot drawers
- Simple assembly by mounting onto the drawer side
- Can be retrofitted at any time
- Tool-free adjustment

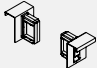
### Packaging unit (PU):

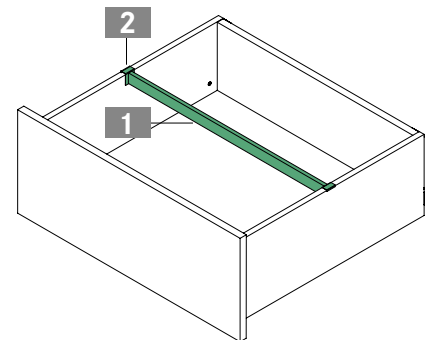
507 = 10 units in PE in a cardboard box

533 = 200 units in PE in a cardboard box

## ORDER INFORMATION

<b>1</b> Divider railing														
Single item: For cutting to length														
L	Silver grey				Graphite				Snow white					
	Art.-no.	PU			Art.-no.	PU			Art.-no.	PU				
1124	F136107415	507			F136107416	507			F136107417	507				

<b>2</b> Clip for divider railing														
Single item: Can be used on left/right														
	Silver grey				Graphite				Snow white					
	Art.-no.	PU			Art.-no.	PU			Art.-no.	PU				
	F136107479	533			F136107480	533			F136107481	533				

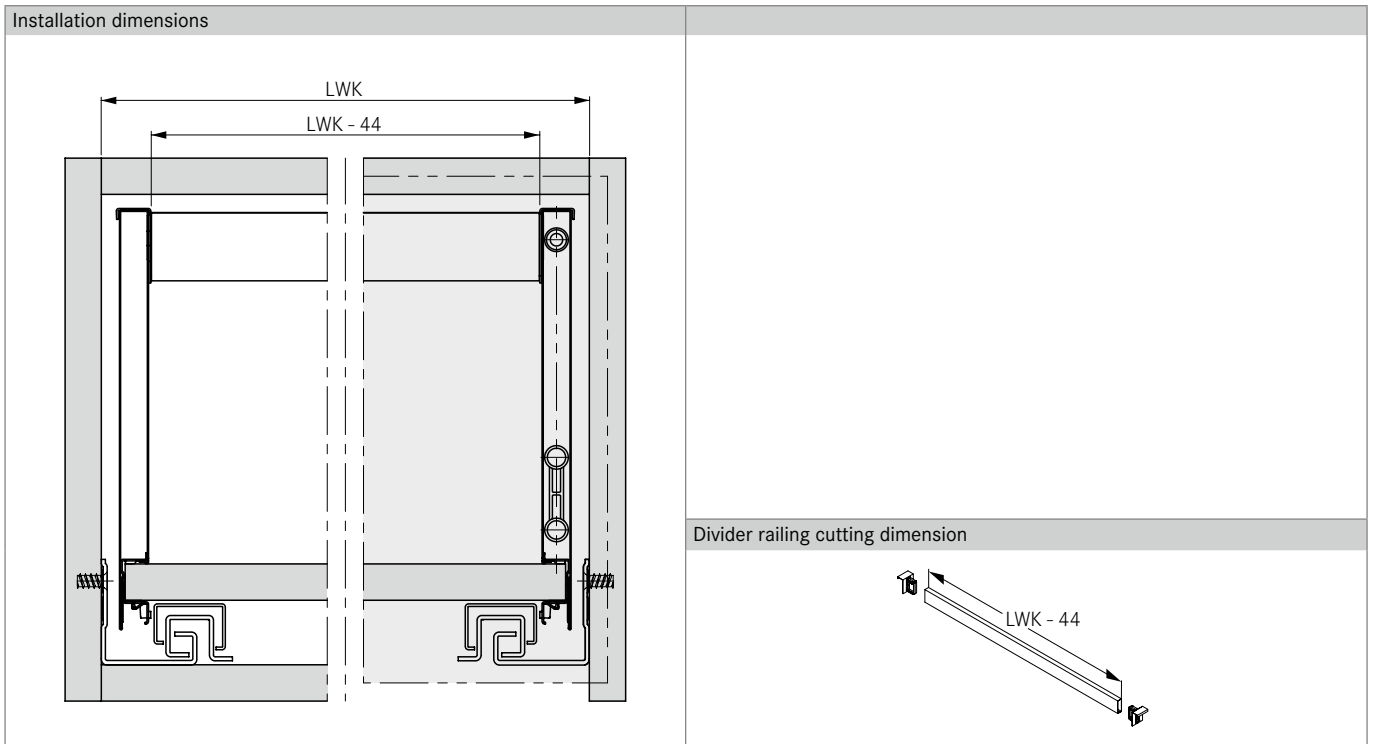


## PAGE REFERENCES

Drawer sides	11	Steel back panels	40	Assembly aids	84
Slides	26	Sensomatic	51	Packaging code	91
Inset panels	32	Assembly technology	80		

**PLANNING DIMENSIONS**

All dimensions in millimetres



**LEGEND**

L	Length
LWK	Inside cabinet width

# TECMATOR ZP-V-E

Industrial production of Vionaro regular and pot drawers



- Suitable for press fitting Vionaro steel drawers (H89 / H121 / H185) with wooden or steel back panels
- Simple handling of the individual parts on the machine
- For series production
- Automatic press fitting of the bottom spike
- Stepless width adjustment
- Standard widths with locking positions
- Sturdy frame construction

#### Note:

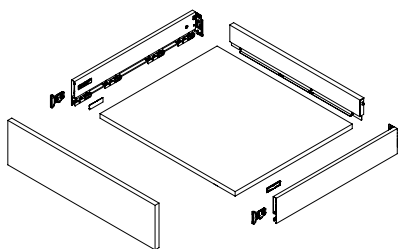
- Wooden back panels can only be used if the steel pushers for press-in dowel insertion are removed or the back panels are pre-drilled

## ORDER INFORMATION

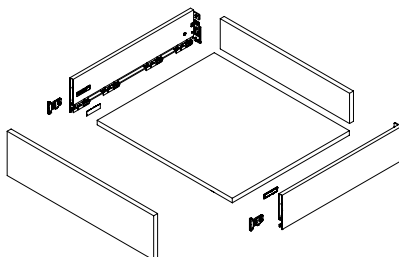
Designation	Art.-no.	PU
Tecmator ZP-V-E	F146101343	299*

\* on request

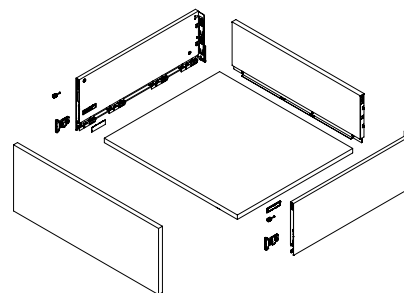
### VIONARO H89



### VIONARO H121



### VIONARO H185



## ADVANTAGES

Easy width adjustment thanks to pneumatic clamping



The individual components of the machine can be easily handled



The frame structure ensures excellent stability



## PAGE REFERENCES

Drawer sides	11	Steel back panels	40	Assembly aids	84
Slides	26	Sensomatic	51	Packaging code	91
Inset panels	32	Organising systems	69		



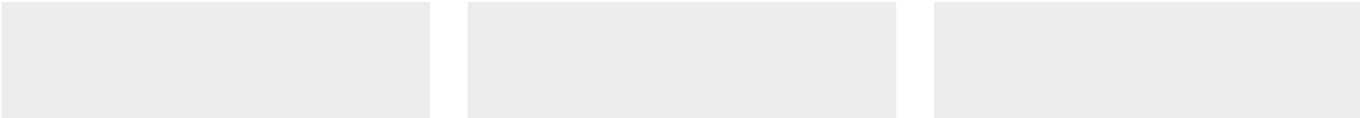
TECHNICAL DATA

Connections	
Pneumatic	6 bar dry

Dimensions	
Width	1.80 m
Depth	1.00 m
Height	1.90 m

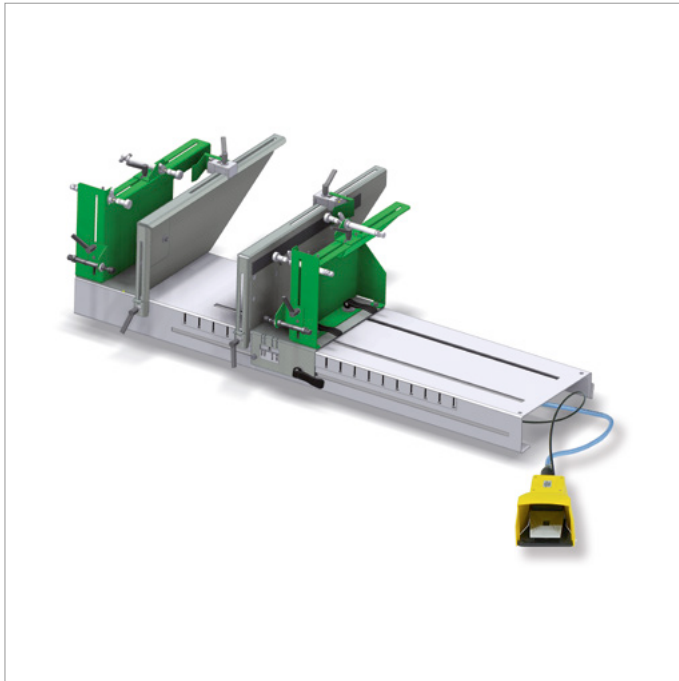
Weight	
ZP-V-E	120 kg

LEGEND



# TECMATOR ZMV-TP4

Semi-automatic assembly of regular and pot drawers

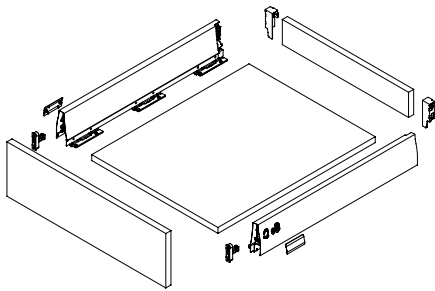


- Pneumatic table-top machine (up to a drawer width of 250 mm) for all GRASS slide systems: Nova Pro, DWD XP, Vionaro and Integra
- Drawers with an external cabinet width of up to 1200 mm can be processed with the ZMV-TP4
- Easy and straightforward handling
- Sturdy construction
- For small series production
- Pneumatic control system
- High performance

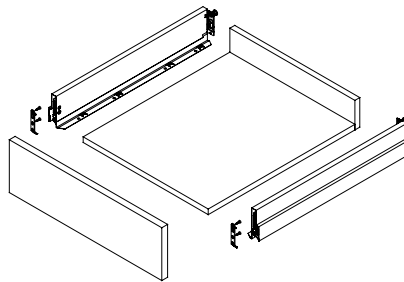
## ORDER INFORMATION

Designation	Art.-no.	PU
Tecmator ZMV-TP4	<b>F146108668</b>	201

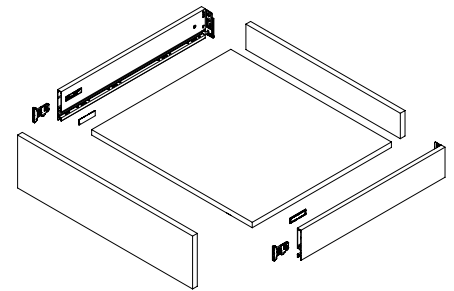
### DWD XP



### NOVA PRO

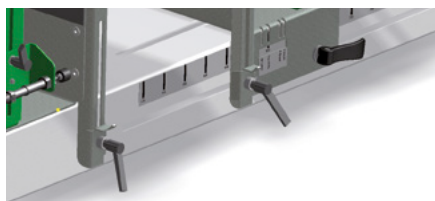


### VIONARO

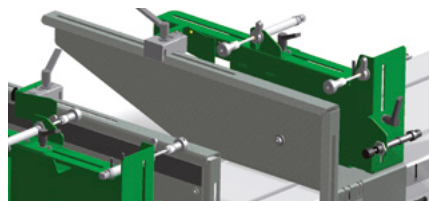


## ADVANTAGES

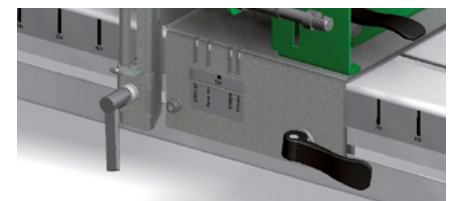
Tool-free setting



Sturdy base frame with pneumatic closing mechanism



All GRASS drawer systems can be processed



## PAGE REFERENCES

Drawer sides	11	Steel back panels	40	Assembly aids	84
Slides	26	Sensomatic	51	Packaging code	91
Inset panels	32	Organising systems	69		

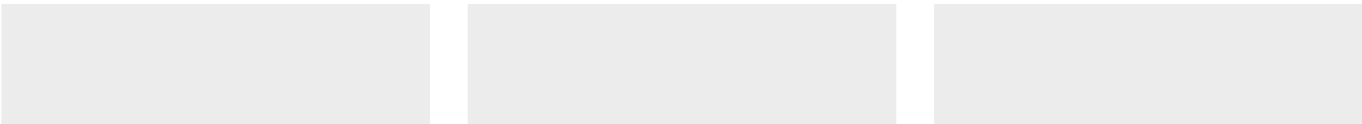
TECHNICAL DATA

Connections	
Pneumatic	6 bar

Dimensions	
Width	1.62 m
Depth	0.90 m
Height	0.5 m

Weight	
ZMV-TP4	65 kg

LEGEND



# ASSEMBLY AIDS

Vionaro



## DRAWER CLAMP

For easy assembly of drawers and pull-outs up to a cabinet width of 1200 mm. Can be used for all drawer side heights.

	Art.-no.	PU
Drawer clamp	<b>F146108833</b>	201



## FRONT DRILLING JIG

Front drilling jig for Vionaro front holder and front stabiliser.

	Art.-no.	PU
	<b>F146100562</b>	201



## MARKING JIG

For exact marking of the holes for the Vionaro front holder and front stabiliser.

### A set comprises:

- 2 marking jigs for front fixing H63

### A set comprises:

- 2 marking jigs for front fixing H89/H121/H185/H249
- 2 marking jigs for front stabiliser H185/H249

	Art.-no.	PU
H63	<b>F146101010</b>	513
H89/H121/H185/H249	<b>F146100545</b>	513



## PUNCHING TOOL

Punching tool for Vionaro front stabiliser.

	Art.-no.	PU
	<b>F146116216</b>	299

## PAGE REFERENCES

Drawer sides	11
Slides	26
Inset panels	32

Steel back panels	40
Sensomatic	51
Organising systems	69

Assembly technology	80
Packaging code	91



**PUNCHING TOOL**

Punching tool for Vionaro bottom spike.

	Art.-no.	PU
	<b>F146116217</b>	<b>299</b>

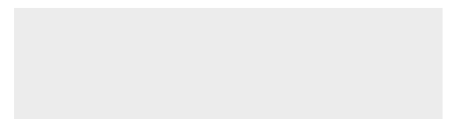
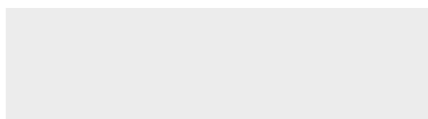
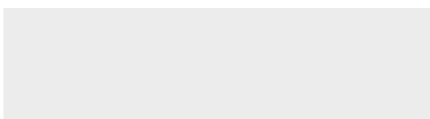


**PUNCHING TOOL**

Punching tool for Vionaro front holder with press-fit dowel.

	Art.-no.	PU
H63	<b>F146117976</b>	<b>299</b>
H89/H121/H185/H249	<b>F146116213</b>	<b>299</b>

**LEGEND**



# ASSEMBLY AIDS

Dynapro

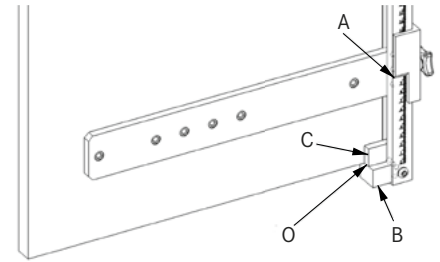


## DRILLING JIG FOR CABINET MEMBER

One set includes:

- Guide rule (1x)
- Marking elements (4x)
- Stop plates B + C (1 each)

A. Reading edge = centre of holes  
 B. Stop plate for loose cabinet parts  
 C. Stop plate for assembled cabinet  
 O. Zero scale position



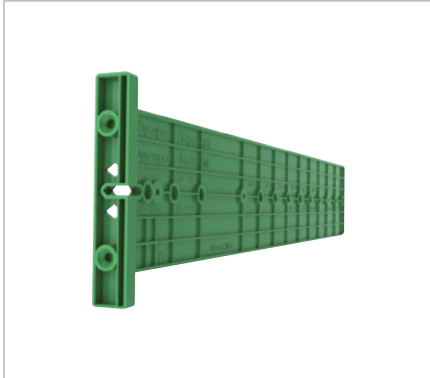
	Art.-no.	PU
	<b>F146094730</b>	501



## INDIVIDUAL MARKING ELEMENT

For extending the drilling jig  
 for cabinet member F146094730

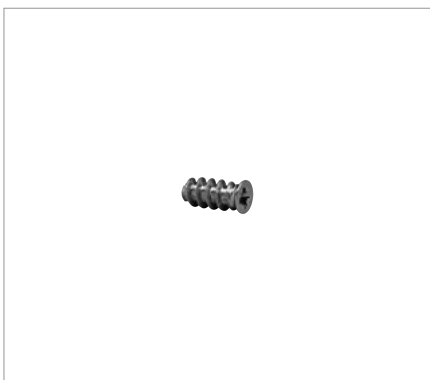
	Art.-no.	PU
	<b>F146094721</b>	299



## DRILLING JIG FOR CABINET MEMBER

For use with pilot drill bit F146035692

	Art.-no.	PU
	<b>F146101348</b>	507



## EURO SCREW

	Art.-no.	PU
Ø 6.3 x 14 mm Screw head Ø 7 mm	<b>F148115049</b>	147

## PAGE REFERENCES

Drawer sides	11
Slides	26
Inset panels	32

Steel back panels	40
Sensomatic	51
Organising systems	69

Assembly technology	80
Packaging code	91



### SCREWDRIVER

GRASS cross head screwdriver  
(Pozidriv No. 2)

	Art.-no.	PU
	<b>F147010256</b>	001



### PILOT DRILL BIT

The pilot drill bit is used for pre-drilling  
holes for countersunk chipboard screws  
Ø 3.5 mm

	Art.-no.	PU
Pilot drill bit	<b>F146035692</b>	299
Spare drill bit Ø 2.7 mm	<b>F146090561</b>	299



### WOOD DRILL BIT Ø 5 MM WITH STOP RING

Use for pre-drilling holes  
for Euro screws.

- Ø 5 mm
- Length 75 mm
- with stop ring

	Art.-no.	PU
	<b>F146092594</b>	501

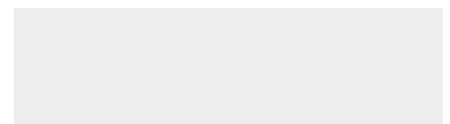
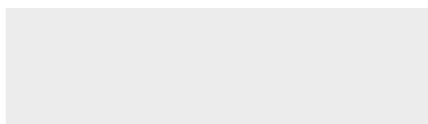
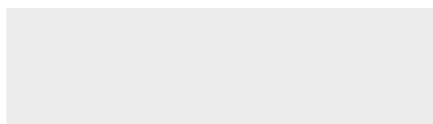


### DRILLING JIG FOR SENSOMATIC

For pre-drilling the holes for fixing brackets  
at the assembled cabinet or loose bottom  
or top panel, for the Sensomatic system

	Art.-no.	PU
	<b>F146109850</b>	299

### LEGEND











# PACKAGING CODE

Explanation

Article Number

Packaging Code



## TYPE OF PACKAGING

Code	Explanation
1	PE (bag, film or band)
2	Cardboard box
3	Reusable packaging (cardboard)
4	Reusable packaging (different containers)
5	PE (bag, film or band) in cardboard box
6	Cardboard box in cardboard box
7	Cardboard box in various containers
8	PE (bag, film or band) in different containers

## PACKAGING UNIT

Code	Unit	Code	Unit	Code	Unit
01	01	23	100	45	800
02	02	24	120	46	900
03	04	25	125	47	1000
04	05	26	136	48	1100
05	06	27	140	49	1200
06	08	28	150	50	1500
07	10	29	170	51	2000
08	12	30	175	52	2200
09	14	31	180	53	2500
10	15	32	190	54	3000
11	20	33	200	55	4000
12	24	34	225	56	5000
13	25	35	240	57	6000
14	30	36	250	58	7000
15	35	37	275	59	8000
16	40	38	300	60	9000
17	50	39	400	61	10000
18	60	40	500	62	15000
19	70	41	550	63	20000
20	75	42	600	64	30000
21	80	43	700	99	X
22	85	44	750		

## QUICK OVERVIEW

Packaging code	Explanation
107	10 units in PE (bag, film or band)
123	100 units in PE (bag, film or band)
147	1000 units in PE (bag, film or band)
201	1 unit in a cardboard box
204	5 units in a cardboard box
207	10 units in a cardboard box
208	12 units in a cardboard box
209	14 units in a cardboard box
210	15 units in a cardboard box
211	20 units in a cardboard box
212	24 units in a cardboard box
213	25 units in a cardboard box
216	40 units in a cardboard box
223	100 units in a cardboard box
233	200 units in a cardboard box
239	400 units in a cardboard box
247	1000 units in a cardboard box
299	X units in a cardboard box
501	1 unit in PE (bag, film or band) in a cardboard box
507	10 units in PE (bag, film or band) in a cardboard box
511	20 units in PE (bag, film or band) in a cardboard box
513	25 units in PE (bag, film or band) in a cardboard box
517	50 units in PE (bag, film or band) in a cardboard box
533	200 units in PE (bag, film or band) in a cardboard box
607	10 units in a cardboard box in a cardboard box

## TERMS

<b>Unit</b>	X single items/sets in specific packaging
<b>Single item</b>	X parts of one type (e.g. installation hooks only)
<b>Set</b>	X parts of different types (e.g. railing, railing bracket (front/back) and cover cap, one of each left/right)



GRASS GmbH  
Movement Systems  
Grass Platz 1  
6973 Höchst, Austria  
T +43 5578 701-0  
F +43 5578 701-59  
info@grass.eu



[vionaro.com](http://vionaro.com)

Your contact:

Status: 03/2019  
The latest version of the catalogue  
is available on our website.