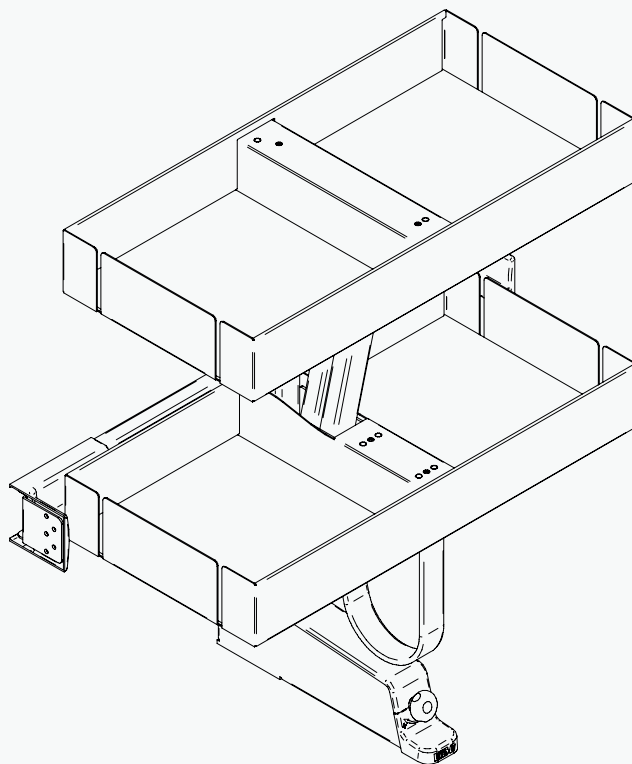


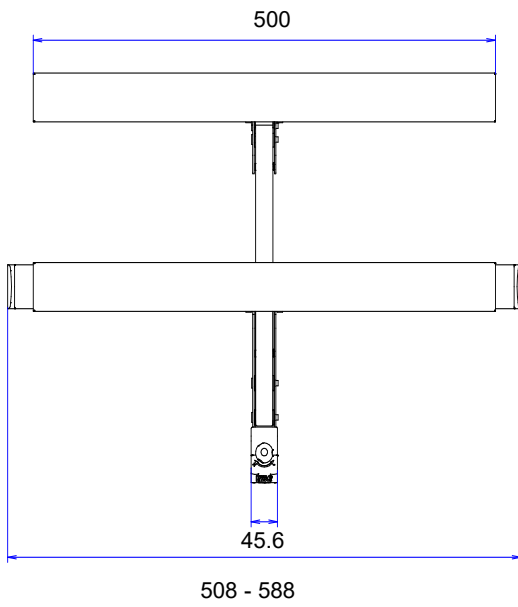
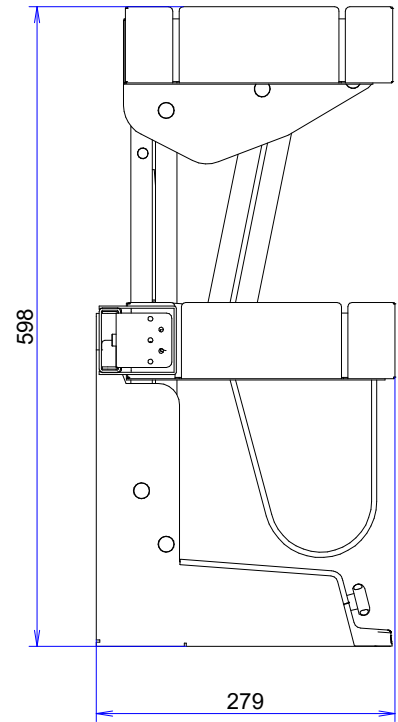
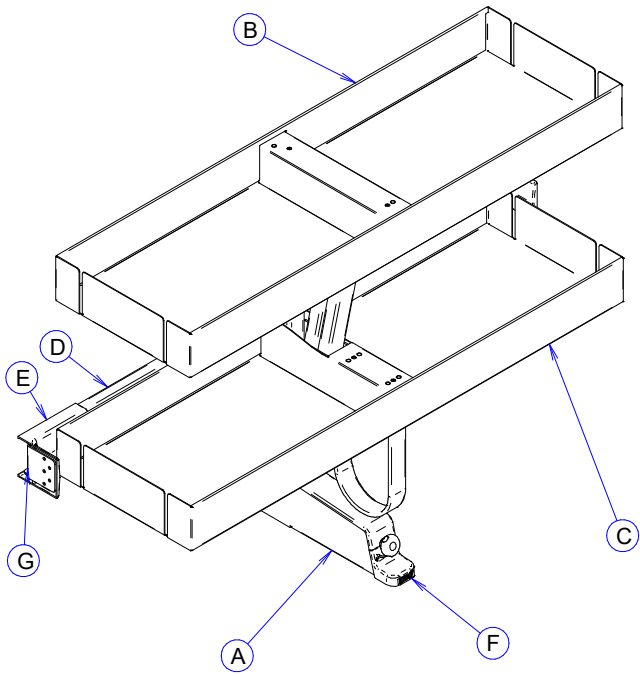
nikpol™

Karlo

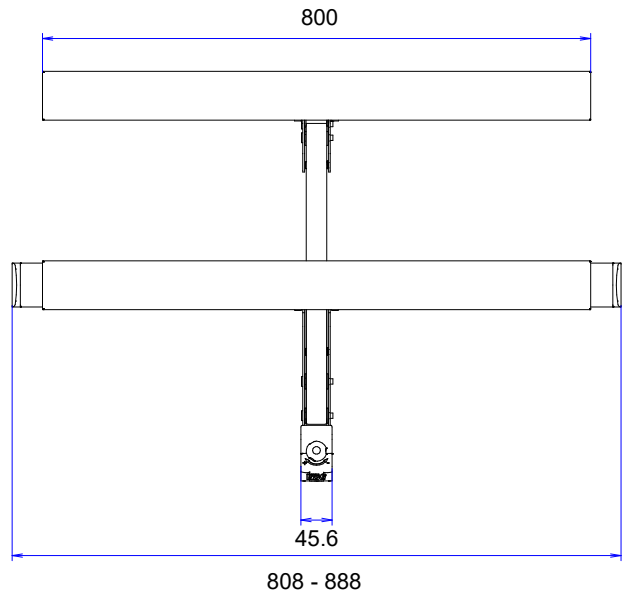
Assembly Instructions



Dimensions



VIBOKARLO60



VIBOKARLO90

nikpol™

Karlo

Assembly Instructions

Requirements



15 mins



1 worker



14 kg



Information

WARNING!

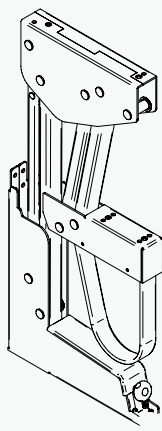
Read the instructions carefully before assembly and follow each step indicated. The company declines all responsibility for any improper use of the product which may cause injury. Modifications or tampering with the product void any warranty conditions.

DISPOSAL

Proceed to dispose of the different materials according to your city regulations.

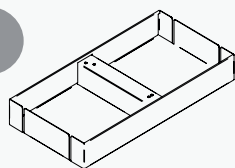
Parts

A



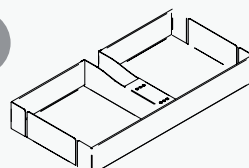
x1

B



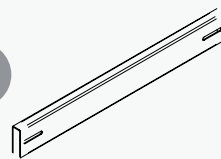
x1

C



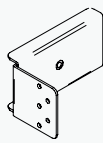
x1

D



x1

E



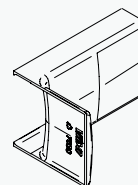
x2

F



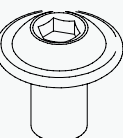
x1

G



x2

H



x10

M6x10

I



x12

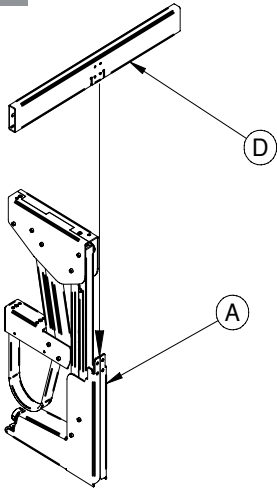
Ø4x16

J

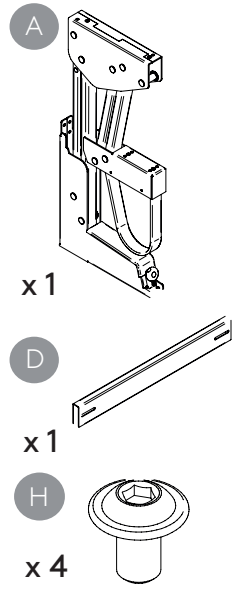
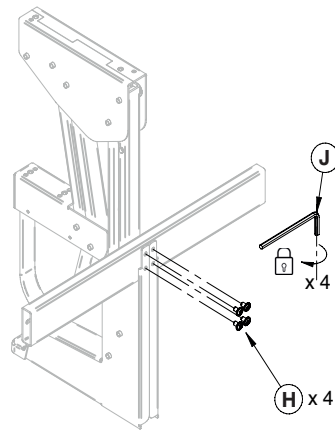


x1

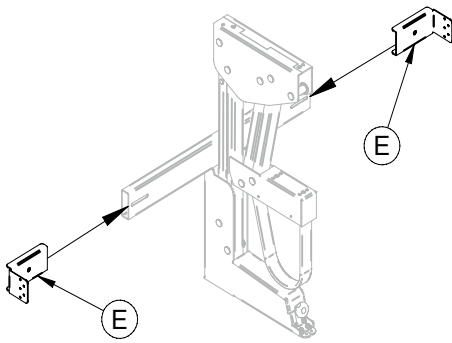
1a



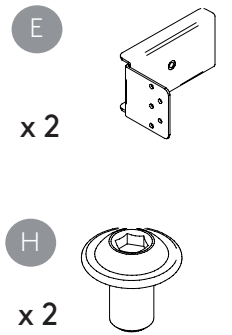
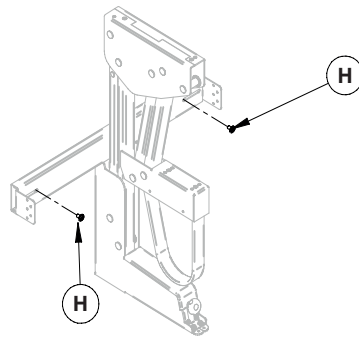
1b



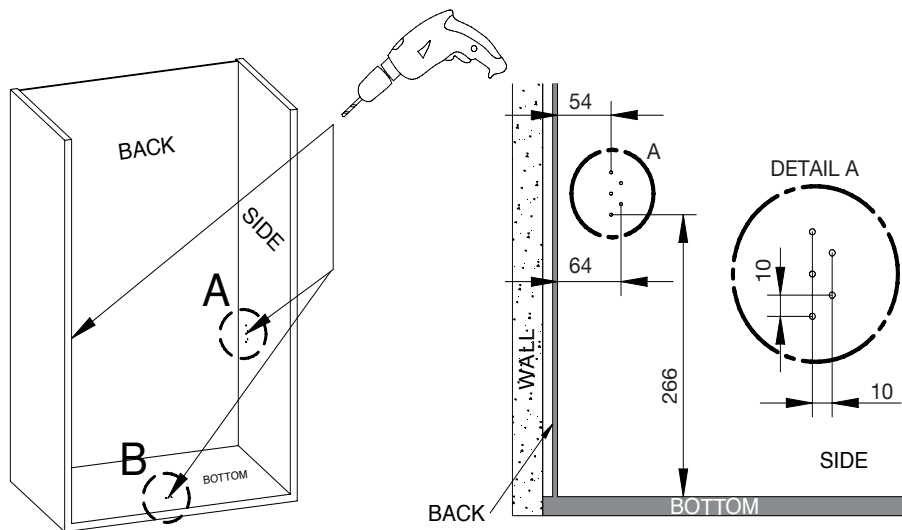
2a



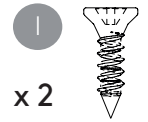
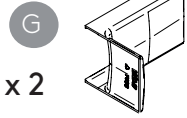
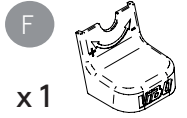
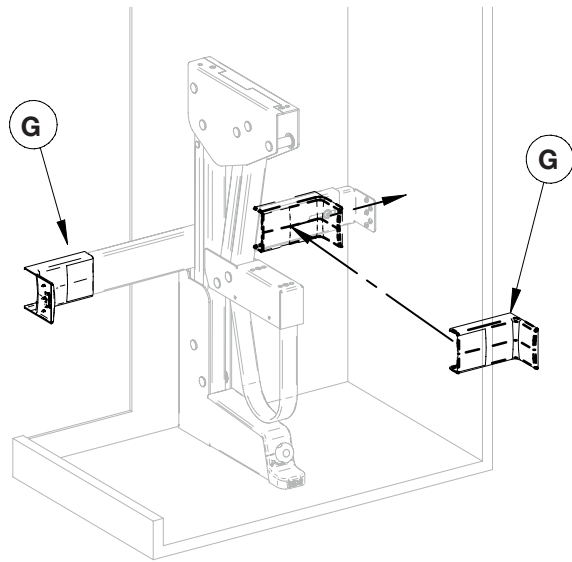
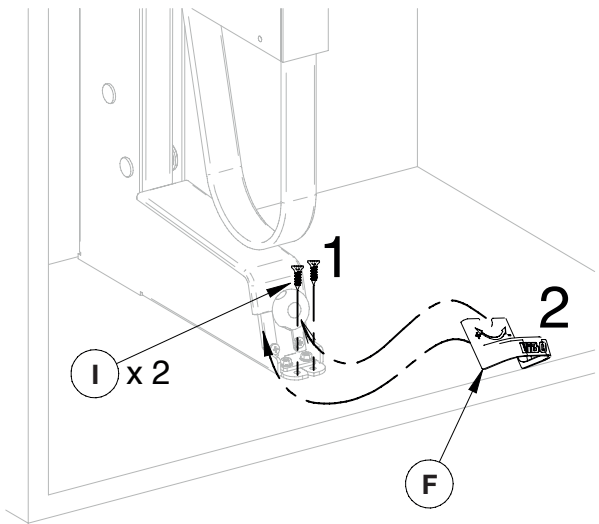
2b



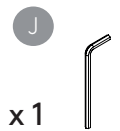
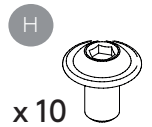
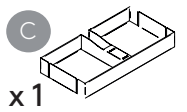
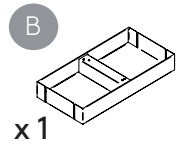
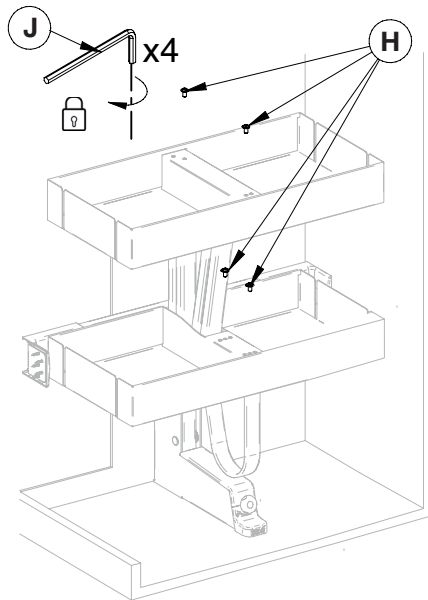
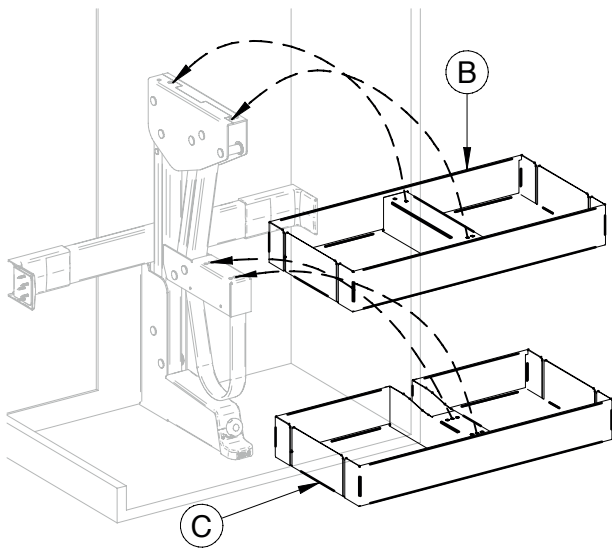
3



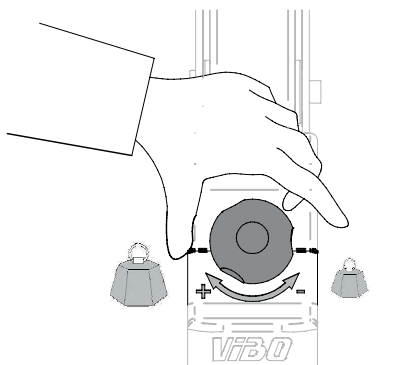
7



8



9



Preloading of the spring force:

* For Karlo with no load or low load, adjust the preload knob by turning counterclockwise

* For loaded Karlo, adjust the preload knob by turning clockwise



To prevent tip-overs, the cabinet must be firmly fixed to the wall through the most suitable fixing system.