

# nikpol™

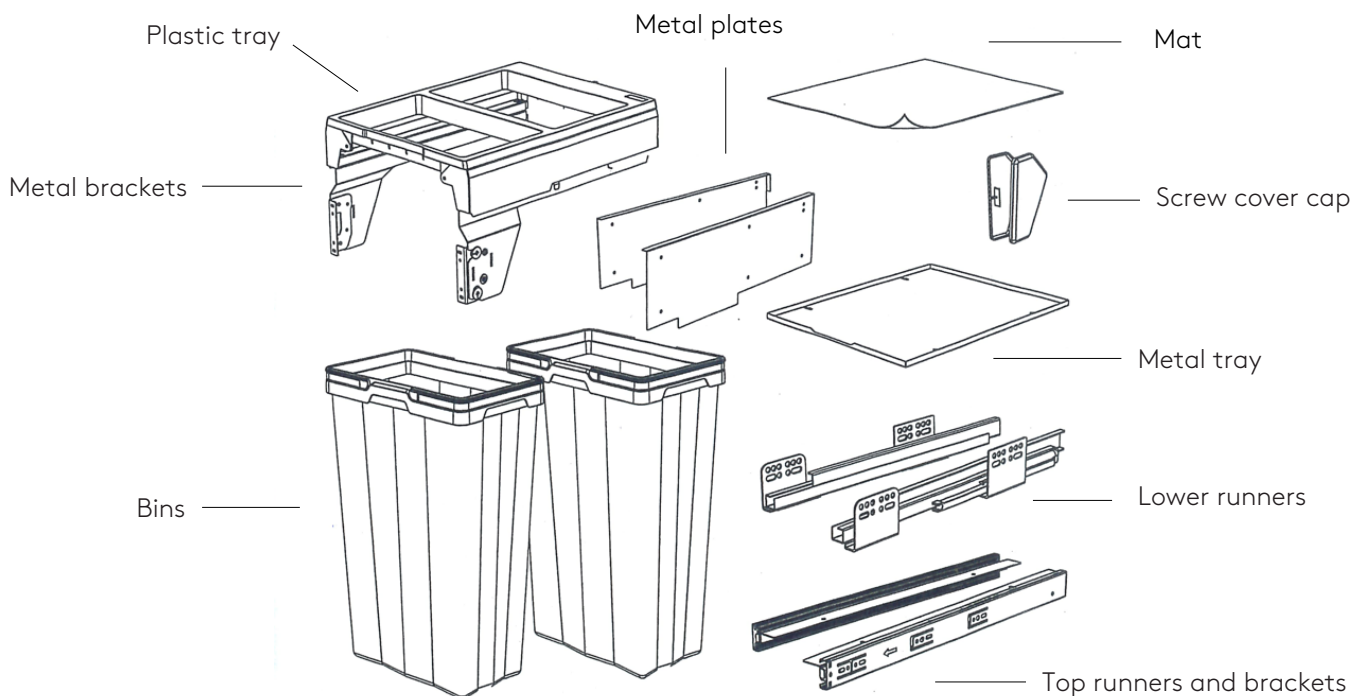


TERAMO BINS

## TERAMO FEATURES & BENEFITS



- Drawer integrated bins
- Soft closing
- Comes with DTC drawer runners
- The pull out metal tray can be used to store small items
- Removable, tapered bins for easy cleaning and rubbish removal
- Standardised width to fit the most common module sizes.
- Stylish Onyx Grey finish



## TERAMO SPECIFICATION

### Teramo Bin 32L

#### Setup Size

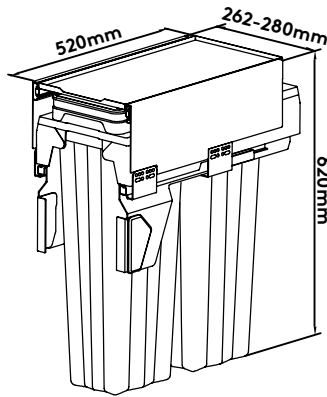
Width: 262-280

Depth: 520

Height: 620

Module: 300mm

Volume: 2 x 16L



Code: TERAMO-32L

### Teramo Bin 56L

#### Setup Size

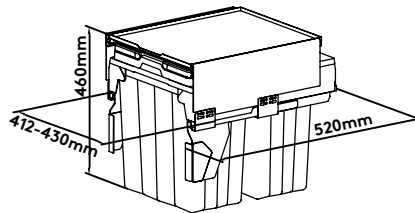
Width: 412-430

Depth: 520

Height: 460

Module: 450mm

Volume: 2 x 28L



Code: TERAMO-56L

### Teramo Bin 62L

#### Setup Size

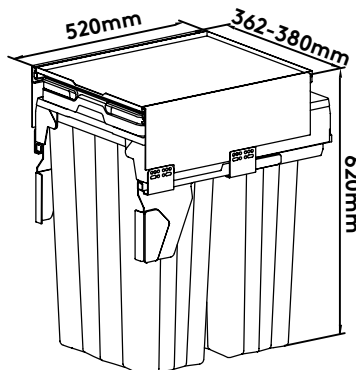
Width: 362-380

Depth: 520

Height: 620

Module: 400mm

Volume: 2 x 31L



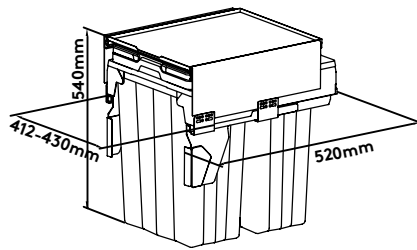
Code: TERAMO-62L



TERAMO SPECIFICATION



Code: TERAMO-66L



### Teramo Bin 66L

#### Setup Size

Width: 412-430

Depth: 520

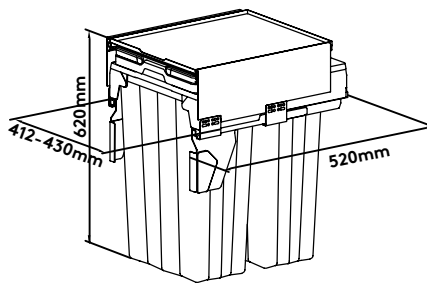
Height: 540

Module: 450mm

Volume: 2 x 33L



Code: TERAMO-74L



### Teramo Bin 74L

#### Setup Size

Width: 412-430

Depth: 520

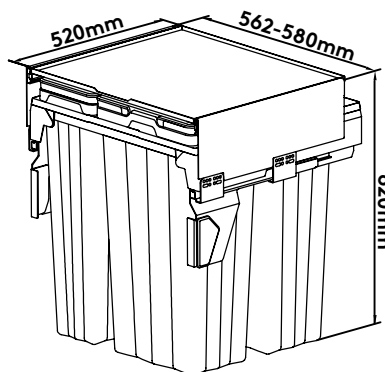
Height: 620

Module: 450mm

Volume: 2 x 37L



Code: TERAMO-94L



### Teramo Bin 94L

#### Setup Size

Width: 562-580

Depth: 520

Height: 620

Module: 600mm

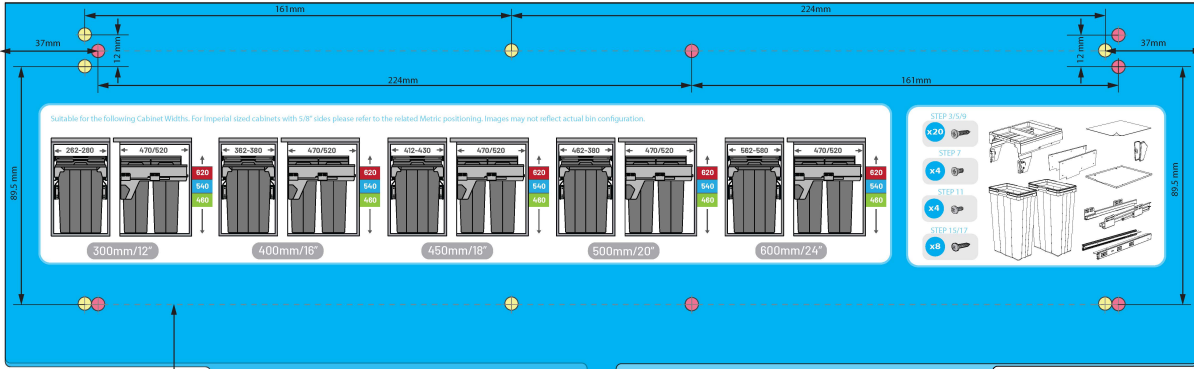
Volume: 2 x 16L

2 x 31L

# TERAMO INSTALLATION

L

R



- Fold the instruction sheet to the appropriate product height option.
- Measure from bottom edge of cabinet and use template to mark holes with awl. **x14**
- Attach both left and right metal plates to cabinet wall using supplied screws. **x6**
- Release left and right tray runners from bracket.
- Install the top runners with another 6 bracket screws. **x6**
- Install top runner brackets. Makes click sound.
- Install metal tray loosely with screws, allowing for adjustment. **x4**
- Adjust metal tray position, tighten screws when parallel. Place mat on top.
- Align lower runners flush under metal plates. Drill and screw lower runners. **x8**
- Install metal brackets. Makes click sound.
- Install plastic tray loosely with screws, allowing for adjustment.
- Adjust plastic tray position, tighten screws when parallel.
- Measure and mark the cabinet bottom and side edge on the door.
- Use template to mark bracket holes on the door. **x4**
- Screw door arms to cabinet using the slotted holes. **x4**
- Adjust left and right 1 then tighten. Adjust vertical 2 and tilt 3.
- Screw the front bracket to the door. Lock vertical and tilt adjustment. **x4**
- Install screw covers.
- Install bins. **TIP**

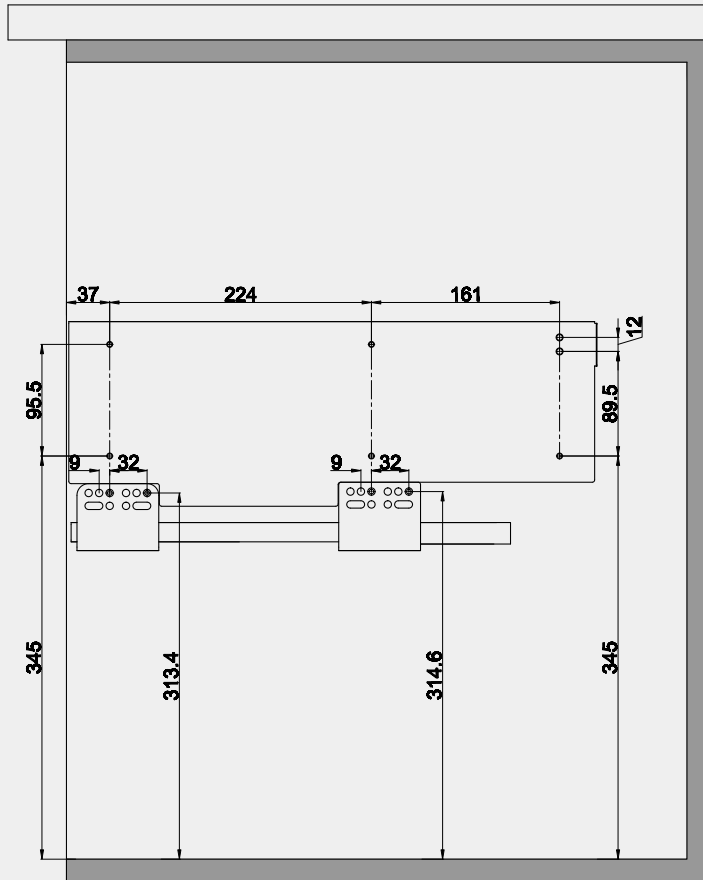
To release brackets from the runners, click switch on the sides of the brackets and slide out.

# TERAMO DRILLING PATTERN

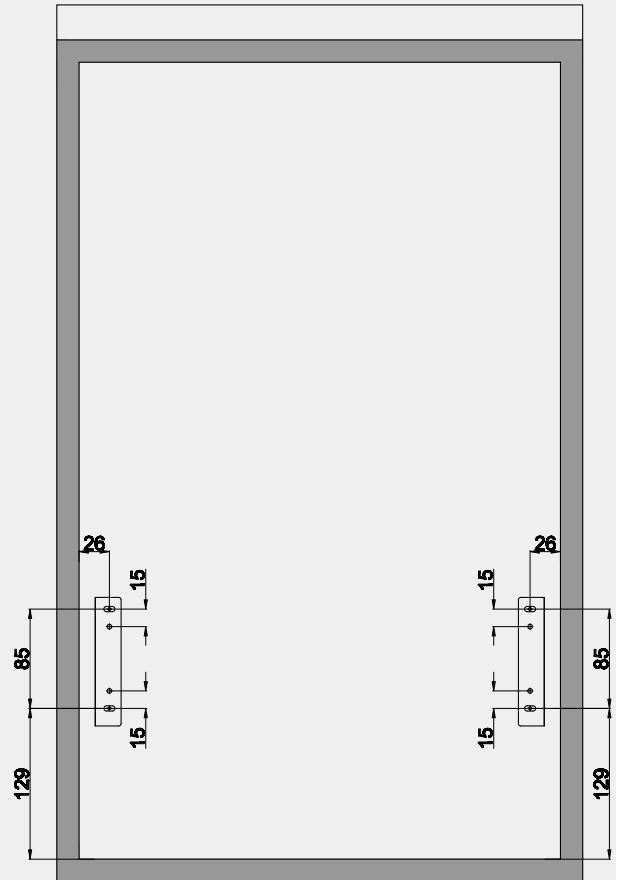
## Teramo 460mm high bin

TERAMO-56L

Side panel holes position



Door panel holes position

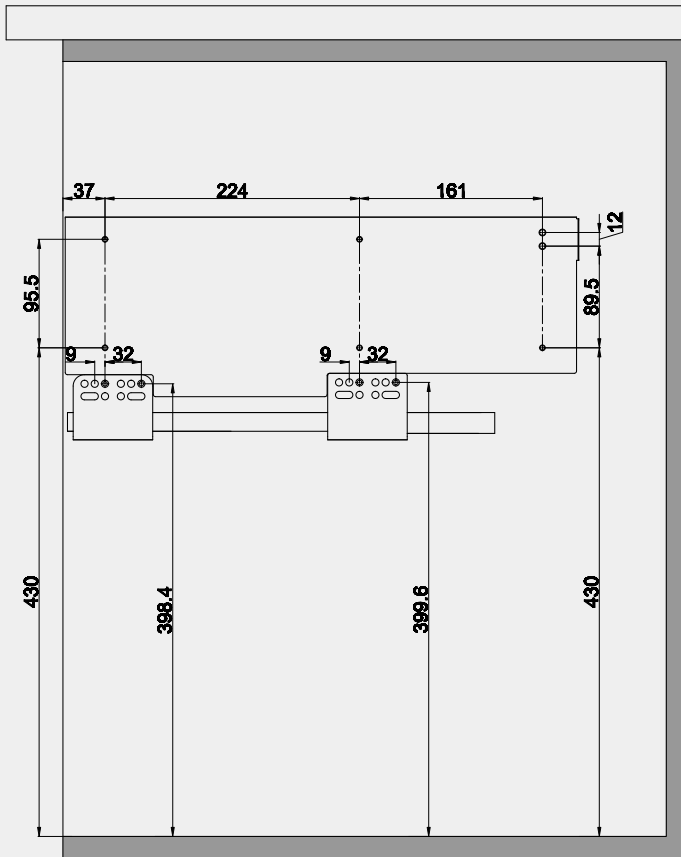


# TERAMO DRILLING PATTERN

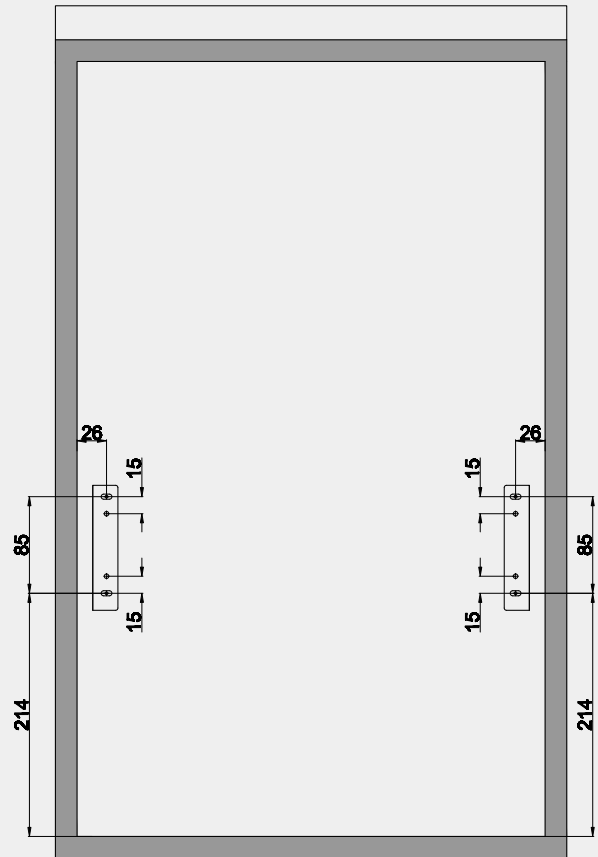
## Teramo 540mm high bin

TERAMO-66L

Side panel holes position



Door panel holes position

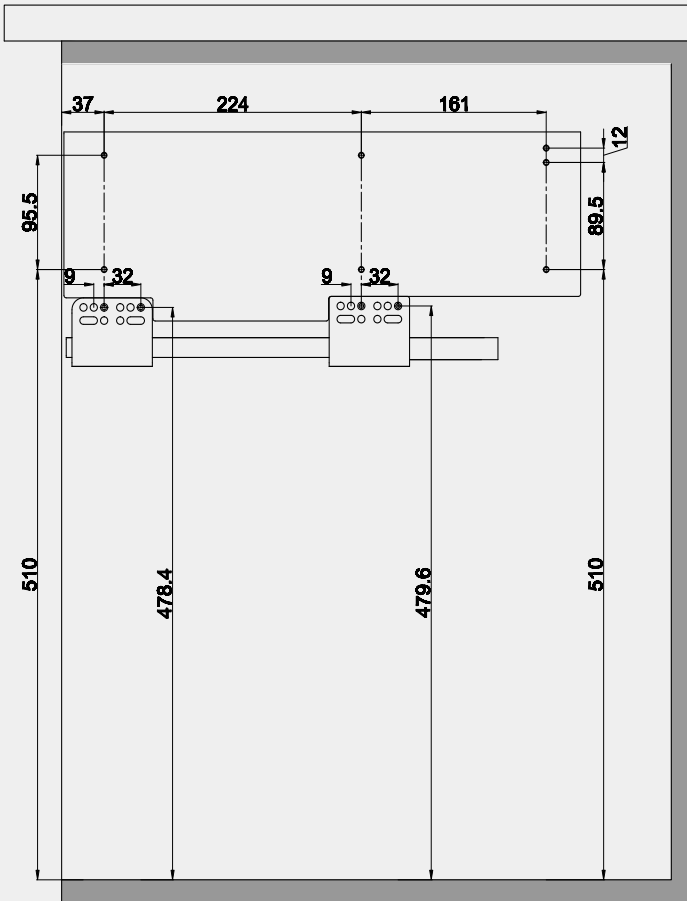


# TERAMO DRILLING PATTERN

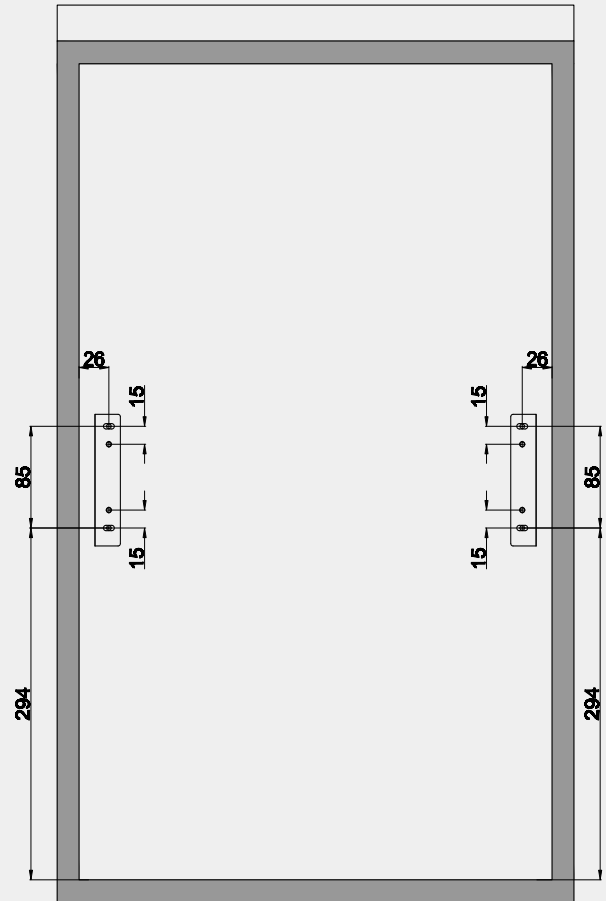
## Teramo 620mm high bin

TERAMO-32L, TERAMO-62L, TERAMO-74L, TERAMO-94L

Side panel holes position



Door panel holes position



# nikpol™

**Nikpol Pty. Ltd.**

**Teramo Bins**

Last updated May 2026

Tel 1300 645 765  
Web [www.nikpol.com.au](http://www.nikpol.com.au)  
Email [sales@nikpol.com.au](mailto:sales@nikpol.com.au)

**Head Office (VIC)**  
6-12 Fairchild Street  
Heatherton VIC 3202

**QLD**  
19 William Farrior Place  
Eagle Farm QLD 4009

[@nikpolptyltd](#) [@nikpolaustralia](#) [#nikpol](#) [/company/nikpol/](#)