



AP-5B36N0250AU

60cm Built-in Hydrolytic Oven

Features & Benefits

Easy Cleaning + Hydrolytic Function

Removable door, enamelled smooth oven walls and suspended grills for easy cleaning. Hydrolytic integrated cleaning in just a push of a button.

Cooling Assist

Built-in cooling fan function to cool down the oven and other objects that needs aeration.

Heat Trap

Full glass inner door combined with an internal oven light for viewing so there is no need to open the door, releasing the heat.

Fast Heating

Quick heating plus enamelled cooking chamber assists in faster oven heating.

Temperature Regulation

Recommends perfect cooking temperature.

Child Safe

Triple glazed glass creates a low door temperature which prevents serious burns from accidental contact. Childproof lock function plus a safety switch-off in case of emergency.

Comfort

Large oven interior of 70L with 1-way telescopic extension.

Energy Efficient

Energy efficiency class A. 220-240 V with a total connected load 3.0kW.

8 Functions

Top/bottom heat
Bottom heat
Fan force eco
Fan force
Fan force grill
Vario large area grill
Vario small area grill
Defrost

Display and Controls

2 fully retractable dial knobs, electronic clock and digital display for control.

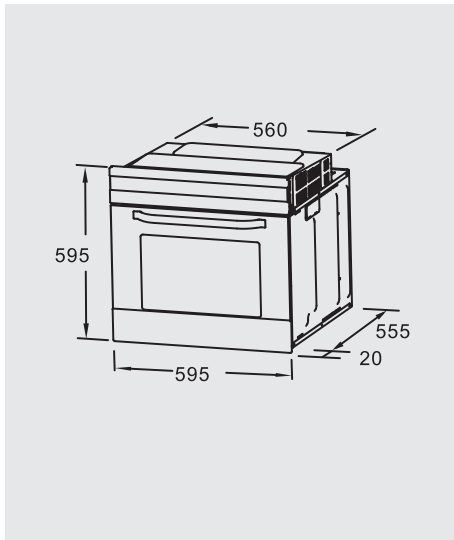
Heating

Electric

Timer

Off, On, Alarm

Specification



Dimensions

Appliance:
H595 x W595 x D575mm
Installation:
H590 x W560 x D550mm

Panel Height

96mm

Weight

Net: 31 kg

Volume

Net: 70 litres

Type

Built-in

Material

Door: Glass
Panel: Stainless Steel
Oven walls: Enamel

Finish

Stainless Steel & Black

Built-in Lights

1

Connection

- Energy consumption conventional heating - Stove 1: 0.99 kWh
- Energy consumption convection/hot air - Oven 1: 0.89 kWh
- Electrical connection value: 3000 W
- Hedging: 16 A
- Voltage: 220-240 V
- Frequency: 50-60 Hz
- Plug type: Schuko/Gardy.m. grounding
- Front color: Stainless Steel
- Energy Source: Electric
- Approval certificates: GS, CE, RCM
- Length of power cable: 100 in
- Length of connection cable: 100 cm
- Net weight: 33.0 kg
- Gross weight: 36.0 kg

Accessories



Combination grate



Enameled baking tray