



## AP-5DA17260AU 70cm Fan Module

### Features & Benefits

#### Easy Cleaning

Stainless steel finish for easy cleaning. Grease filters are dishwasher safe for easy cleaning.

#### Vision Comfort

Neutral colour lighting with wide downward illumination help with creating a perfect cooking experience.

#### Controls

Soft button controls located on the base of the appliance.

#### Stylish

Dark steel finish appliance is integrated to the kitchen, making it more elegant.

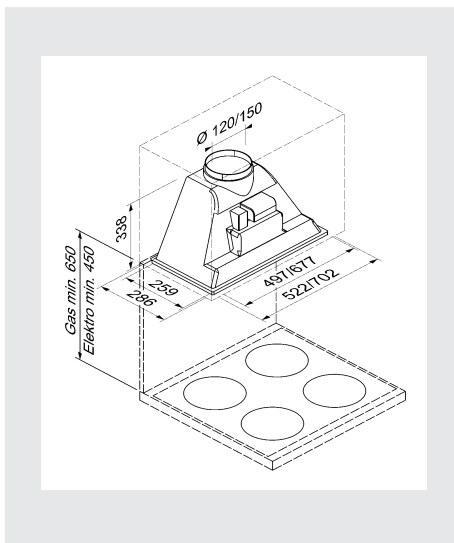
#### Programs

Extraction mode with 3 power levels  
Recirculation mode (requires carbon filter)

#### Energy Source

Electric

### Specification



#### Dimensions

Appliance:  
H337.5 x W702 x D286mm

#### Material

Grease filter: Aluminium  
Surface: Stainless Steel

#### Finish

Black

#### Grease Filter

Dishwasher safe: Yes  
Odour filter: Optional

#### Weight

Net: 5.2kg

#### Type

Built-in

#### Control

Push button

#### Lighting

4W LED lamps x 2  
Temperature: 4,000K  
Illuminance: 100 lux

#### Extraction

Direction: Upward  
Power: 590m<sup>3</sup>/h

#### Noise

Minimum: 47dB  
Maximum: 63dB

### Connection

- Voltage: 220-240 V
- Total connected load: 160 W
- Frequency: 50/60 Hz
- Installation: Built-in
- Energy Source: Electric
- Approval certificates: RCM
- Required distance from induction hob: 450mm
- Required distance from gas hob: 650mm
- Appliance dimensions: 337.5 x 702 x 286 mm
- Packaging dimension: 425 x 785 x 365 mm
- Exhaust air outlet area: 150 x 120mm
- Height of the unit without chimney: 337.5mm
- Length of connection cable: 150cm
- Connection type: Plug
- Position of fan: Motor in the housing
- Housing material: Plastic
- Flow direction: Upwards
- Maximum sound power: 70dB
- Number of lamps: 2 LED lamps
- Total power of lamps: 8W

### Accessories

