



AP-5DA39258AU 90cm Slideout Undermount Range Hood

Features & Benefits

Easy Cleaning

Stainless steel finish makes it easy to wipe off food splatters. Grease filters are dishwasher safe for quick cleaning.

Vision Comfort

Warm lighting with wide downward illumination creates a comfortable work station.

Hearing Comfort

Noise level as loud as regular human conversation provides extraction without too much noise inconvenience.

Controls

Appliance is controlled by movable filter surface. Power level adjusts through push button controls with electronic display.

Stylish

The appliance is integrated to the kitchen, making it more elegant.

Energy Efficient

Class A efficiency with average yearly consumption of 20kWh.

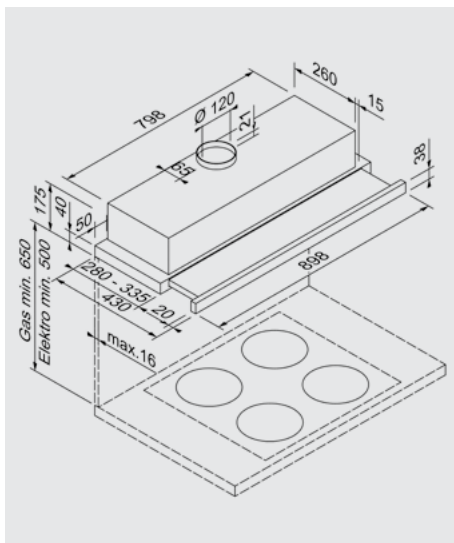
Programs

Extraction mode with 3 power levels plus intensive setting. Recirculation mode (requires carbon filter)

Energy Source

Electricity

Specification



Dimensions

Appliance: H162 x W526 x D290mm

Material

Grease filter: Aluminium
Surface: Zinc Plated

Finish

Stainless steel

Grease Filter

Dishwasher safe: Yes
Type: Cassette
Odour filter: Optional

Weight

Net: 24kg

Type

Built-in, flat screen telescopic hood

Control

Electronic

Lighting

3W LED lamps x 2
Temperature: 3,500K
Illuminance: 569 lux

Extraction

Direction: Upward
Regular: 270m³/h
Intensive: 420m³/h

Noise

Minimum: 60dB
Maximum: 71dB

Connection

- Voltage: 220-240 V
- Total connected load: 76 W
- Frequency: 50-60 Hz
- Installation: Built-in
- Energy Source: Electric
- Gross weight: 27kg
- Approval certificates: CE, VDE
- Required distance from induction hob: 430mm
- Required distance from gas hob: 650mm
- Appliance dimensions: -mm
- Installation dimension: 162 x 526 x 290mm
- Exhaust air outlet: 150 x 120mm
- Height of the unit without chimney: mm
- Length of connection cable: cm
- Connection type: Gardy plug w/earthing
- Position of fan: Motor in hood body
- Flow direction: Upwards
- Maximum sound power: 71dB
- Number of lamps: 2 LED lamps
- Total power of lamps: 6W

Accessories

