



AP-5GB72290AU 75cm Tempered Glass Gas Cooktop

Features & Benefits

Easy Cleaning

Removable pot support and burner for easy access and glass surface for easy cleaning.

Durable

Stainless steel and cast iron trivets for a long lasting use.

One-Handed Operation

Burners can be activated or deactivated easily with slightest effort.

Safety Feature

Thermoelectric ignition fuse as protection against unintentional escape of gas.

Plug & Play

Australian standard electronic chord, just needs a power point to operate.

Cooking Zones

5 zones that can be simultaneously used: 1 triple sabaf burner; 2 standard sabaf burner; 1 economy sabaf burner.

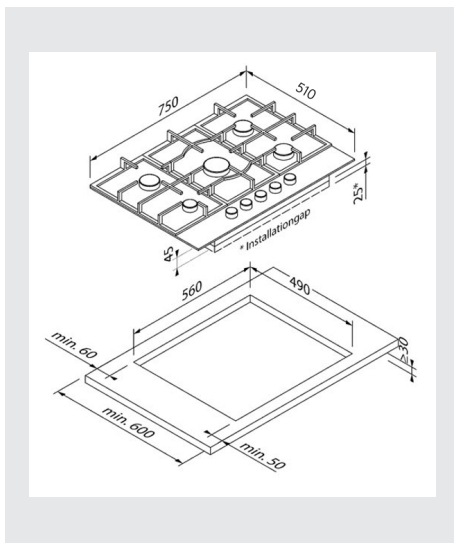
Display and Controls

5 dial knobs for each burner. Control knobs are located in front of the device. No residual heat display.

Energy Source

Natural gas (preset); can be converted to liquid gas.

Specification



Dimensions

Appliance:
H90 x W750 x P510mm
Installation:
H45 x W560 x P480mm

Material

Surface: Glass
Pot Support: Cast Iron
Control Knob: Plastic

Weight

Net: 10.5 kg
Gross: 12.3 kg

Type

Built-in

Finish

Black

Cooktop Power and Type

Front left: 1kW
Triple burner
Rear left: 3kW
Standard burner
Front right: 1.75kW
Economy burner
Rear right: 1.75kW
Standard burner
Middle: 3.6kW
Wok Burner

Worktop Size

Min Thickness: 30 mm

Connection

- Power consumption: 2 W
- Gas connected load: 11100 W
- Fuse protection (A): /
- Voltage: 220-240 V
- Frequency: 50-60 Hz
- Device colour: Black steel
- Energy source: Gas
- Type of gas: Natural gas G20 20mbar
- Alternative gas type: Liquid gas G20 10mbar or 27.5mbar
- Approval certificates: CE, SAA
- Net weight: 10.5 kg
- Gross weight: 12.3 kg
- Length of connection cable: 100 cm
- Minimum distance from counter front: 50 mm
- Minimum distance from rear wall: 60 mm

Accessories