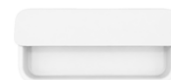
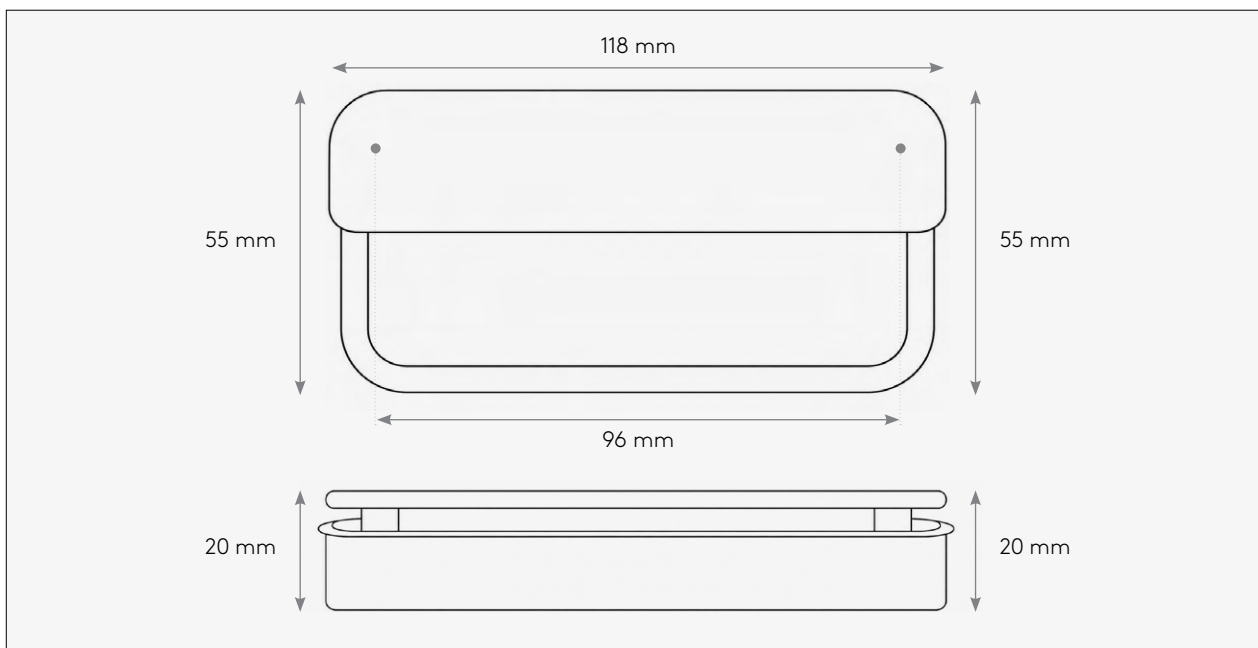


nikpol

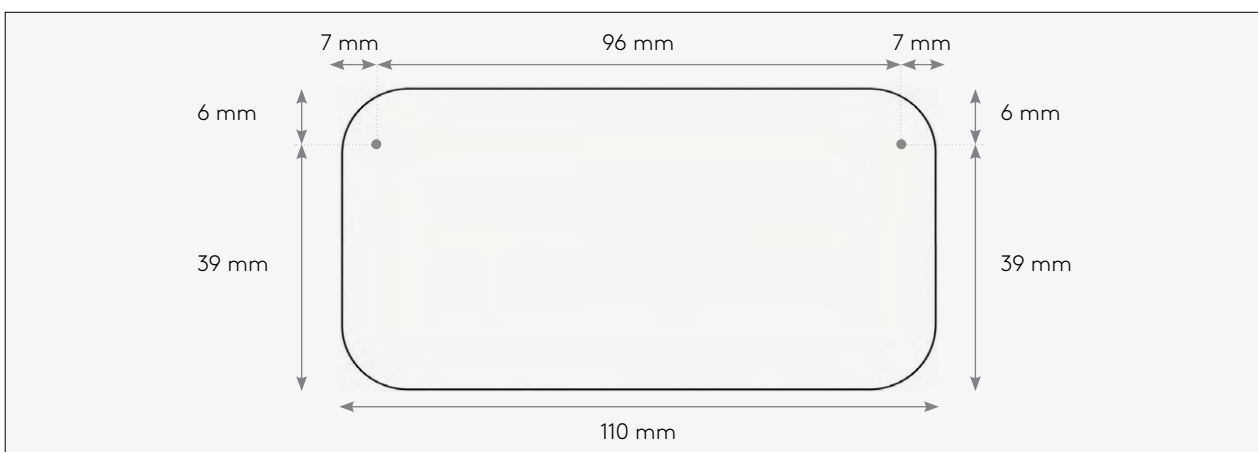


cape data sheet

handle specs:



cutout specs:



finishes:

