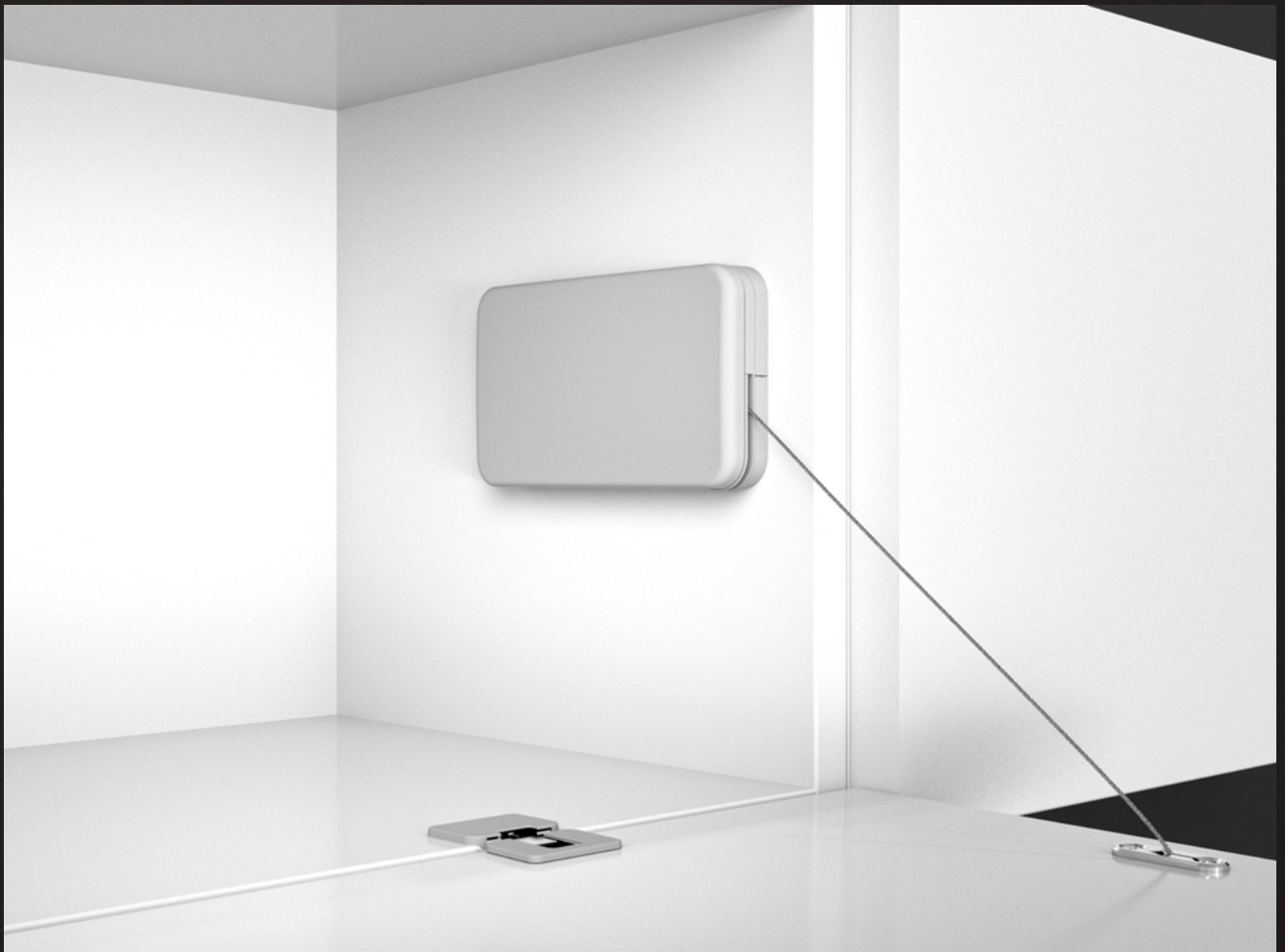
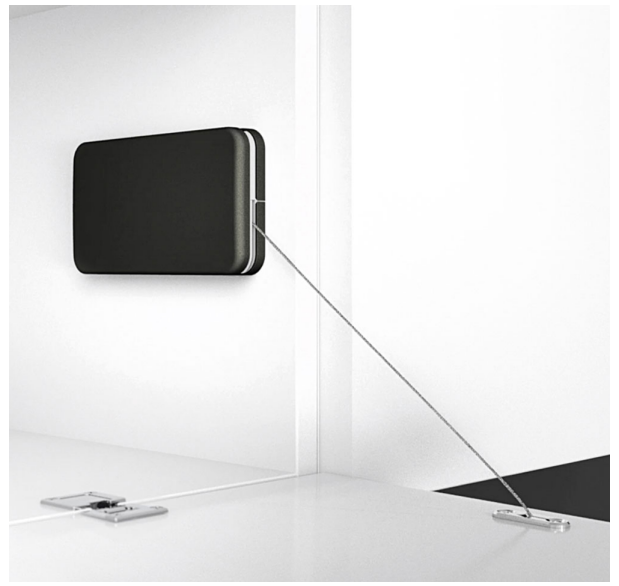


nikpol™



DTC DOWN STAY

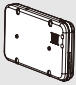





Features

- Cabinet height: 200-480mm
- Door weight up to 14kg
- Horizontal or vertical mounting
- Adjustable opening speed and angle
- Soft-opening
- Medium and strong power factor options
- Available in white and black finish
- Can be used with flat hinge or euro hinge (sold separately)

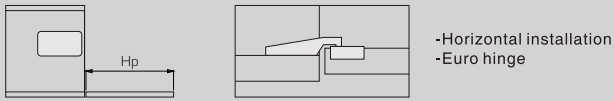
Kit Package

The following components are included in the kit (flat hinge/euro hinge sold separately):

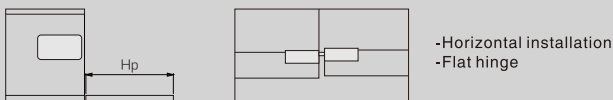
			
1x lift mechanism	1x front fixing-bracket	1 x cover cap	2 X Euro screw(Ø6.4x14mm) 4 X Euro screw(Ø6.4x24.5mm)

SKU	DESCRIPTION	UOM	QTY/CTN
DTCDQ00AH02A	DTC DOWN STAY STRONG POWER WITH WHITE COVER CAP	SET	20/CTN
DTCDQ00AH02C	DTC DOWN STAY STRONG POWER WITH BLACK COVER CAP	SET	20/CTN
DTCDQ00AM02A	DTC DOWN STAY MEDIUM POWER WITH WHITE COVER CAP	SET	20/CTN
DTCDQ00AM02C	DTC DOWN STAY MEDIUM POWER WITH BLACK COVER CAP	SET	20/CTN
DTCDQ00PB	FLAT HINGE NICKEL, SUITS 18-20MM THICK BOARD	EA	100/CTN

DOOR WEIGHT TABLES (KG)

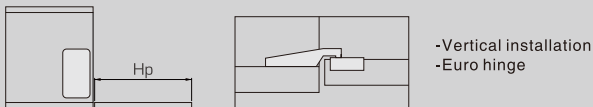


HP (mm)	Medium		Strong	
	lift mechanism set x1	lift mechanism set x2	lift mechanism set x1	lift mechanism set x2
200-230	4.3-5.8	-	4.9-6.9	-
230-270	3.7-5.6	6.8-9.2	4.4-6.2	-
270-330	3.8-5	7.4-9	4-5.2	8.6-11
330-380	3.3-4.9	7.2-8.8	3.7-5.1	8-11.2
380-430	2.9-3.9	6.1-8.7	3.3-4.5	7.5-11
430-460	2.9-3.7	5.9-8.3	3.3-4.5	7.5-10.5
460-480	2.9-3.7	5.5-7.5	3.4-4.1	7-9.5

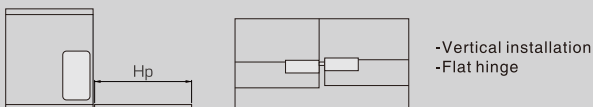


Flat hinge	
DTCQ00PB	NICKEL. 18-20MM BOARD
F053139677	BLACK. 16-21MM BOARD

HP (mm)	Medium		Strong	
	lift mechanism set x1	lift mechanism set x2	lift mechanism set x1	lift mechanism set x2
200-230	4.2-6.2	-	4.8-6.8	-
230-270	3.6-5.2	6.8-9.6	4.4-6	-
270-330	3-4.6	6.4-8.8	3.6-5.2	7-10.2
330-380	3.2-4.3	6.5-8.5	3.7-4.9	6.9-10.1
380-430	3.1-3.9	5.7-7.3	3.7-4.5	6.9-8
430-460	2.7-3.9	5.9-8.3	3.7-4.7	7.1-9.5
460-480	2.8-3.8	5.3-7.7	3.6-4.4	6.8-8.9



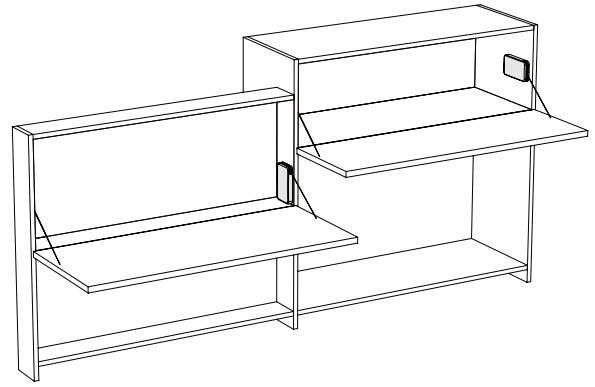
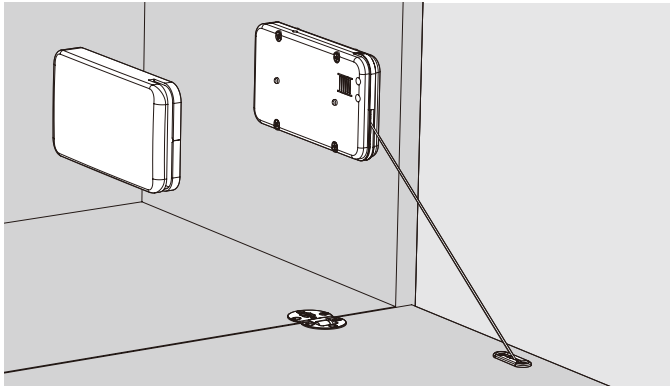
HP (mm)	Medium		Strong	
	lift mechanism set x1	lift mechanism set x2	lift mechanism set x1	lift mechanism set x2
200-230	6.3-8.5	-	7.5-9.3	-
230-270	4.5-5.6	9.2-12	6.8-8.6	-
270-330	3.7-5.1	7.7-10.1	5.4-7.1	10.5-13.7
330-380	3.2-4.3	6.6-9.3	4.6-6.1	9.1-11.3
380-430	3-4	6.6-8.2	4.4-5.4	8.4-10.2
430-460	2.8-3.6	5.4-7.6	4.2-5.2	7.4-9.4
460-480	2.8-3.6	5.4-7.6	4-5.2	7.2-9.4



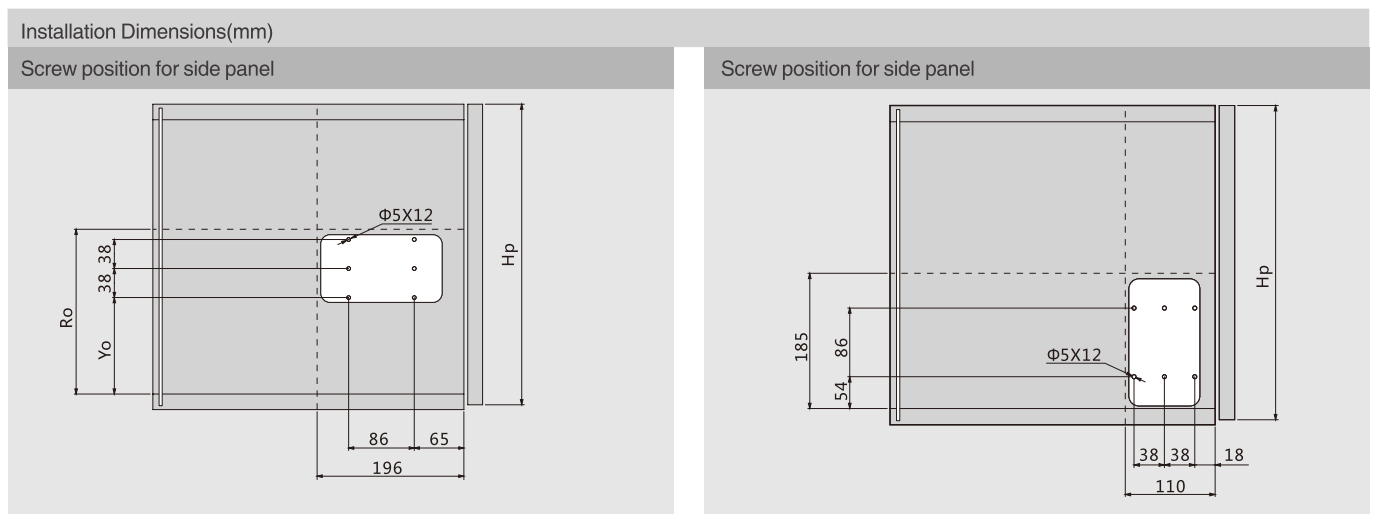
Flat hinge	
DTCQ00PB	NICKEL. 18-20MM BOARD
F053139677	BLACK. 16-21MM BOARD

HP (mm)	Medium		Strong	
	lift mechanism set x1	lift mechanism set x2	lift mechanism set x1	lift mechanism set x2
200-230	5.3-7.3	-	8-11	-
230-270	4.2-6	9.6-12.8	6.6-8.6	-
270-330	3.8-5.1	7.9-11.1	5.7-7.3	11.3-14.5
330-380	3.3-4.5	7.3-8.5	4.9-6.3	9.7-11.7
380-430	3.2-4.2	6.2-8.2	4.4-5.4	8.6-10.6
430-460	3-3.8	6.2-7.8	4-5.2	7.8-10.2
460-480	2.8-4	5.6-7.8	3.8-5	7.6-10

The weight and the position of the handle may influence the performance of the mechanism.



PLANNING

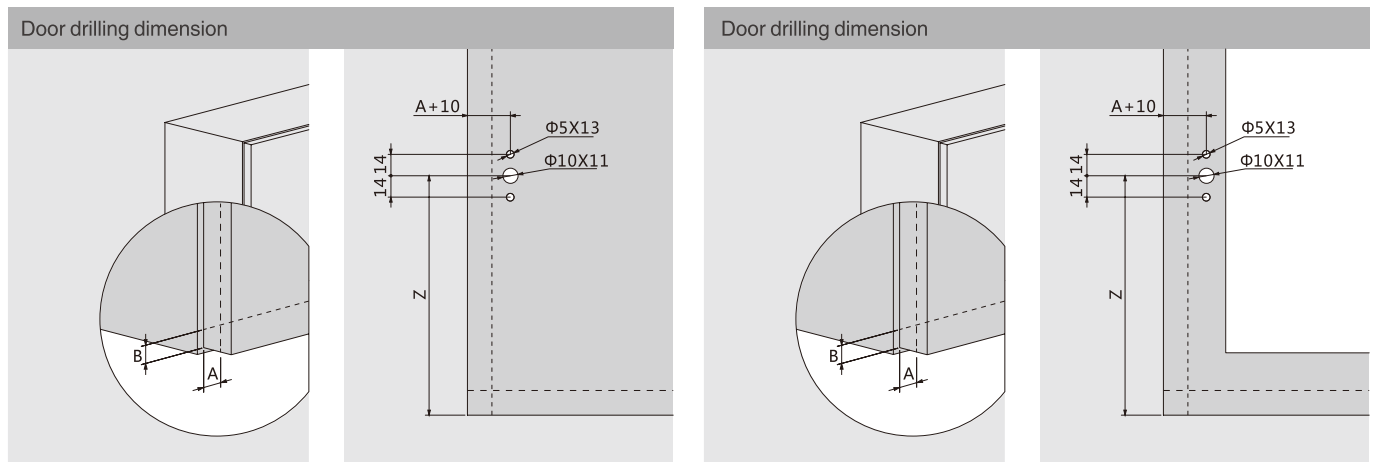


Horizontal Installation

Hp	Yo	Z	Ro
200-330	102	137+B	194
330-430	126	161+B	218
430-480	136	171+B	228

Vertical Installation

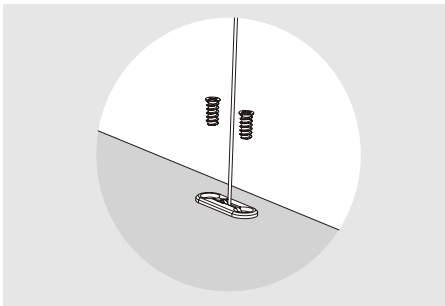
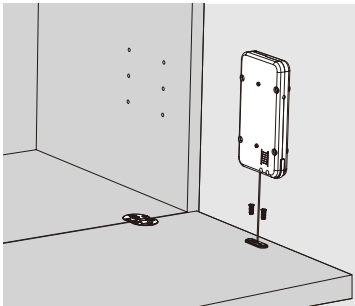
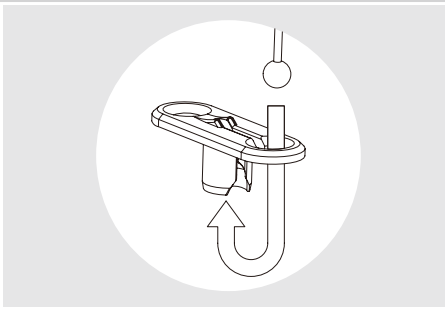
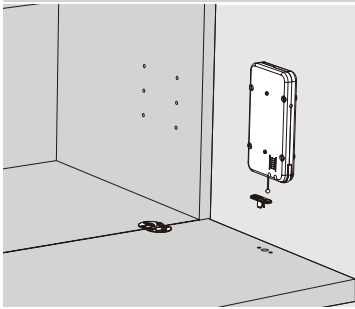
Hp	Z
200-480	161+B



Horizontal Installation

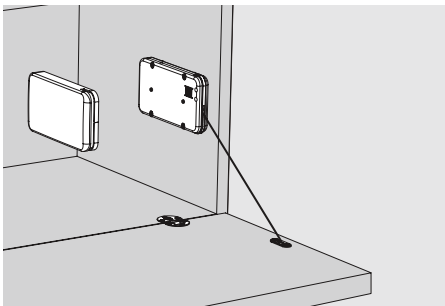
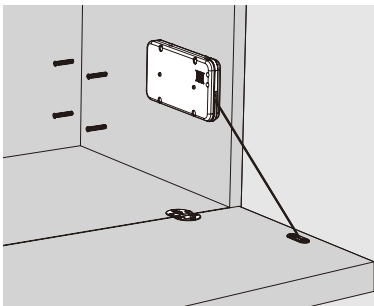
Vertical Installation

Assembly

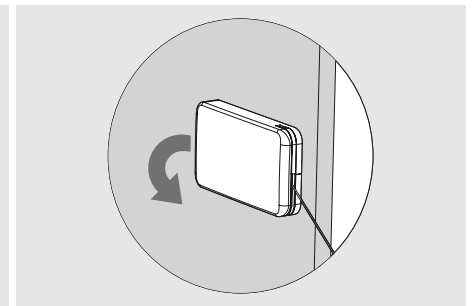


Door Assembly

Front fixing-bracket assembly

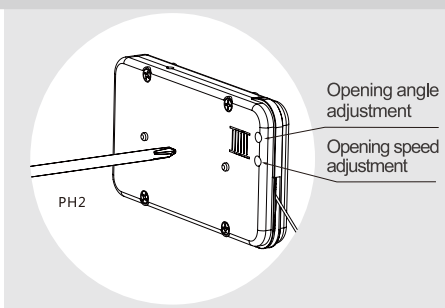
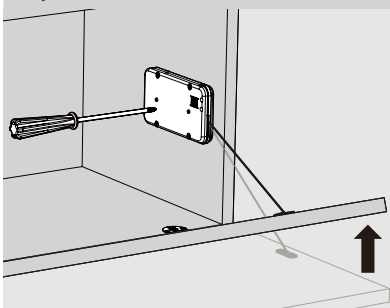


Fix screws



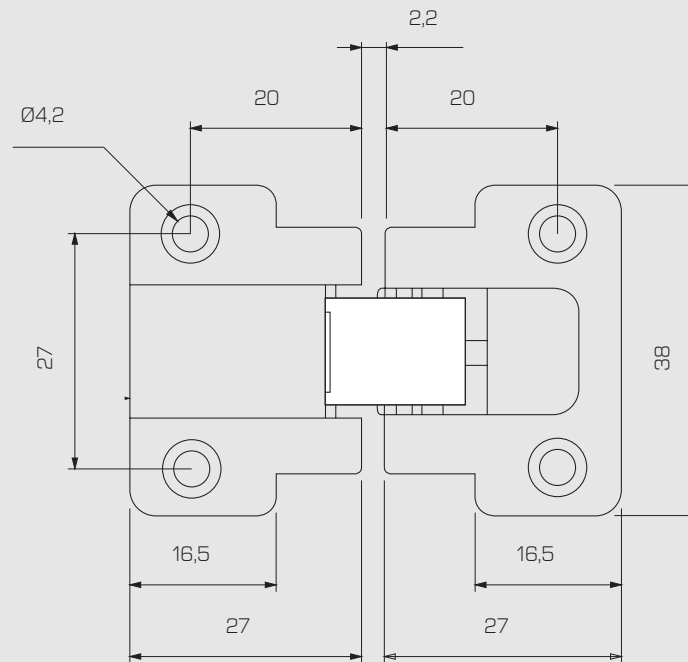
Remove the cover

Adjustment



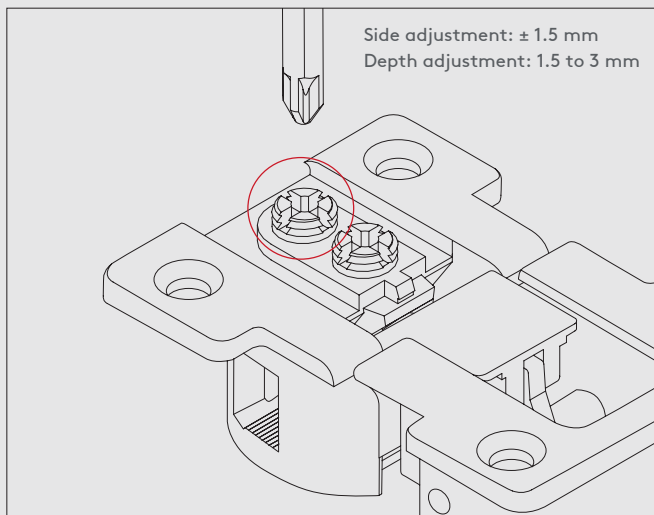
Please do the adjustment by using PH2 screw-driver

Drill hole position

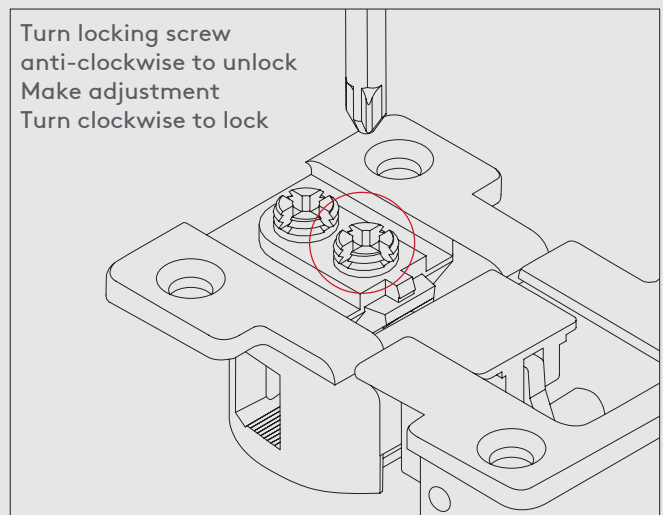


Adjustment

Two dimensional door's position adjustment

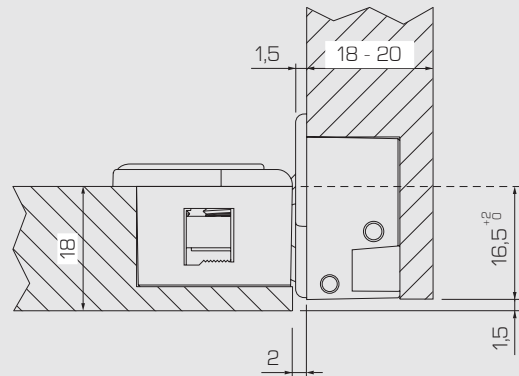
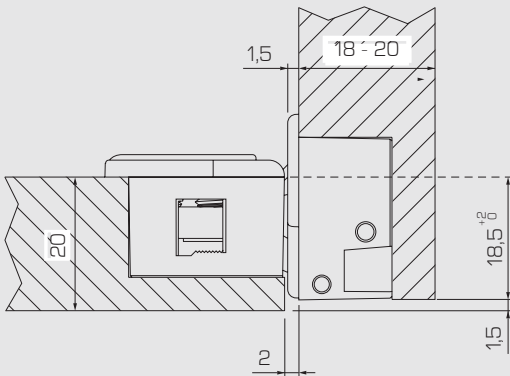
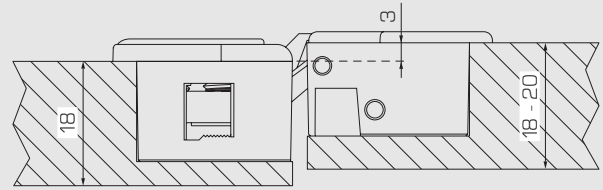
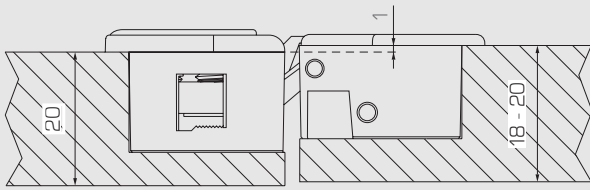


Locking

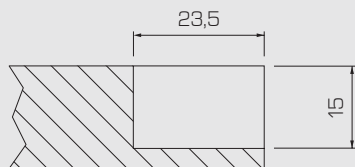
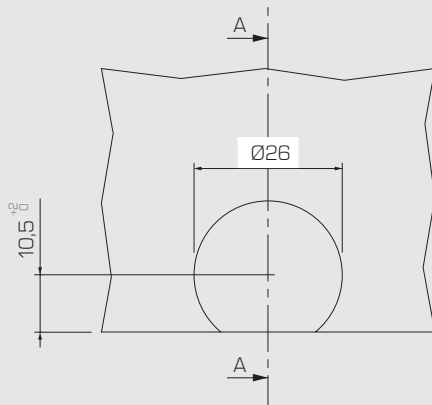


It is recommended to use Ph 2 screwdriver

Features

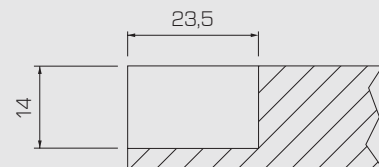
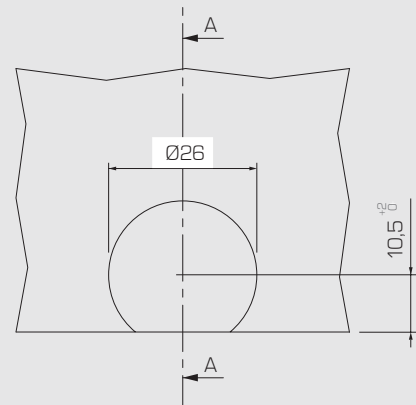


Top panel's workings



AA

Door's workings



AA