

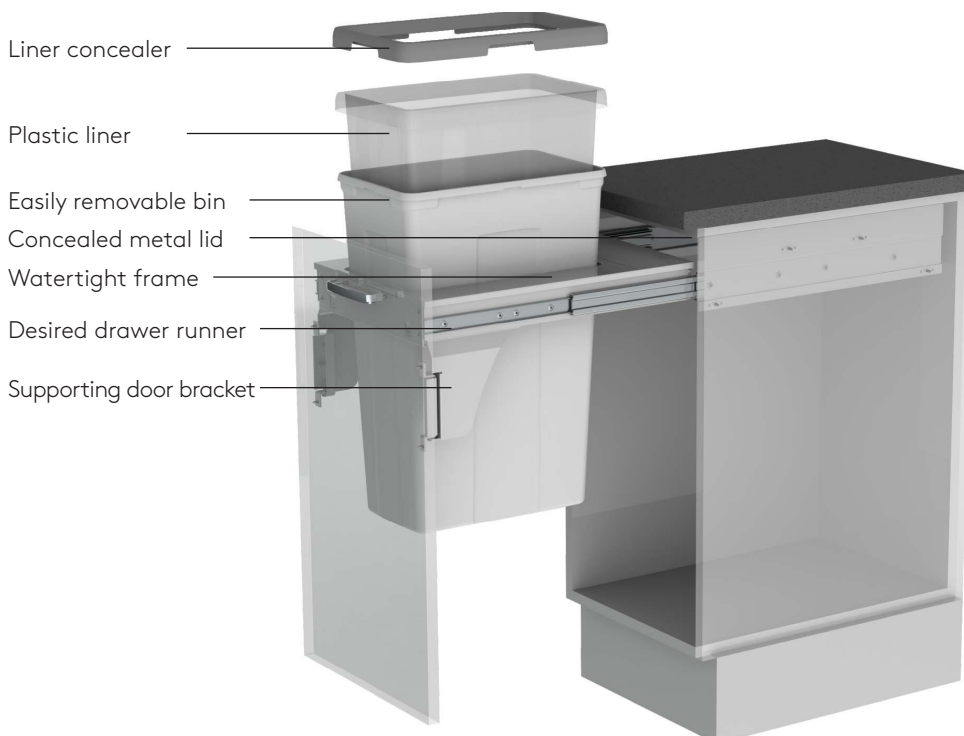
NEW

DRAWER ACCESSORY DWD BINS

Double Bin

- Module: 450^{mm}
- Width: 412-418^{mm}
- Depth: 506^{mm}
- Height: 470^{mm}
- Volume: 2 X 21^l

Drawer runners sold separately.
Set suits all double wall runners.



FEATURES & BENEFITS



Hygienic option

- Removable baskets for easy rubbish disposal
- Frame stops rubbish from falling on the floor
- Walls are smooth so it is easy to wipe clean
- Removable powder coated metal bin lid for easy cleaning



Easy to install

- Suits any double wall drawers runners
- Adjustable widths for better customisation

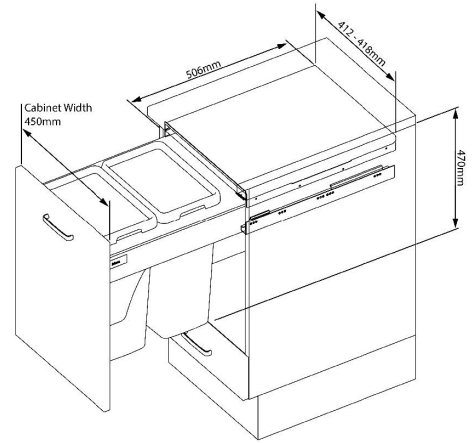


Modern style

- Bins are hidden away from sight
- Hidden liners for a neater look

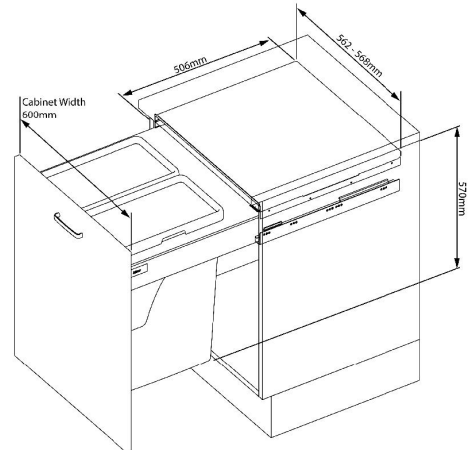
BIN45042L
Double Bin

- Module: 450mm
- Width: 412-418mm
- Depth: 506mm
- Height: 470mm
- Volume: 2 X 21L



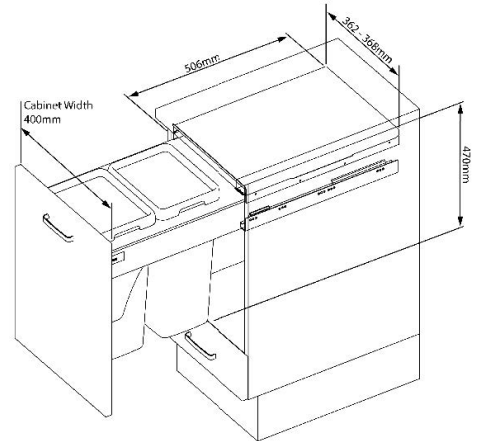
BIN60070L
Double Bin

- Module: 600mm
- Width: 562-568mm
- Depth: 506mm
- Height: 570mm
- Volume: 2 X 35L



BIN40036L
Double Bin - Sideways

- Module: 400mm
- Width: 362-368mm
- Depth: 506mm
- Height: 470mm
- Volume: 2 X 18L



BIN40035L
Single Bin

- Module: 400mm
- Width: 362-368mm
- Depth: 506mm
- Height: 570mm
- Volume: 35L

