

AP-5RG64361AU

## 60cm Ceramic Cooktop

### Features & Benefits

#### Easy Cleaning

Frameless, flush installation to reduce cleaning surface. Glass top means a regular kitchen surface cleaner should be enough.

#### Efficiency

Startup-booster for quick heating of cooking zones for lower wait time.

#### Stylish Design

Sleek glass look in black colour that suits any modern style.

#### Space Saving

Flush installation integrates the surface for a wider workstation space. Slim and flat design requires less space for installation.

#### Safety Feature

Child lock and residual heat indicators on each zone to avoid accidents. Time limitation and overflow detection turns off the appliance when unmonitored.

#### Multiple Cooking Zones

4 zones that can be simultaneously used. Zone extension possible. Each zone has 10 power levels.

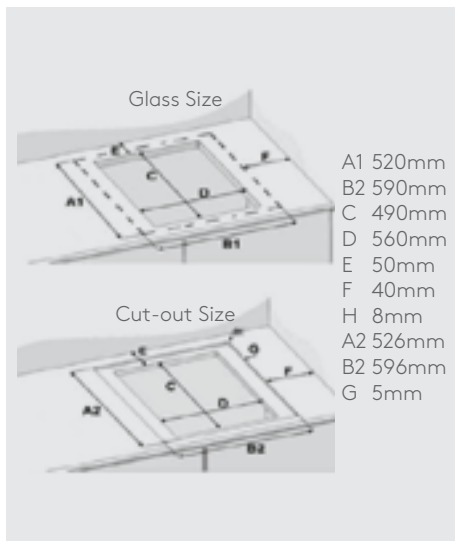
#### Display and Controls

Touch control panel and digital LED display located in front. Smart pot detection for automatic control.

#### Energy Source

Electricity

### Specification



#### Dimensions

Appliance:  
W590 × P520mm  
Installation:  
H57 × W560 × P490mm

#### Material

Surface: Glass ceramic

#### Weight

Net: 8.82kg  
Gross: 9.99kg

#### Type

Built-in, frameless ceramic hob

#### Finish

Black

#### Cooking Zone and Power

2 zones Ø 155mm  
– 1.2 kW  
1 zone Ø 180-275mm  
– 1.5 - 2.4 kW  
1 zone Ø 145-275mm  
– 1 - 2.2 kW

#### Control

Touch control panel located in front

#### Display

LED display  
Residual heat indicator

### Connection

- Voltage: 220-240 V
- Total connected load: 7 kW
- Frequency: 50/60 Hz
- Device color: Black
- Energy Source: Electric
- Approval certificates: CE
- Length of connection cable: 110cm
- Minimum distance from counter front: 50 mm
- Minimum distance from rear wall: 50 mm
- Minimum worktop thickness: 16mm

### Accessories

