



## AP-5GB72290AU 75cm Tempered Glass Gas Cooktop

### Features & Benefits

#### Easy Cleaning

Removable pot support and burner for easy access and glass surface for easy cleaning.

#### Durable

Stainless steel and cast iron trivets for a long lasting use.

#### One-Handed Operation

Burners can be activated or deactivated easily with slightest effort.

#### Safety Feature

Thermoelectric ignition fuse as protection against unintentional escape of gas.

#### Plug & Play

Australian standard electronic chord, just needs a power point to operate.

#### Cooking Zones

5 zones that can be simultaneously used: 1 triple sabaf burner; 2 standard sabaf burner; 1 economy sabaf burner.

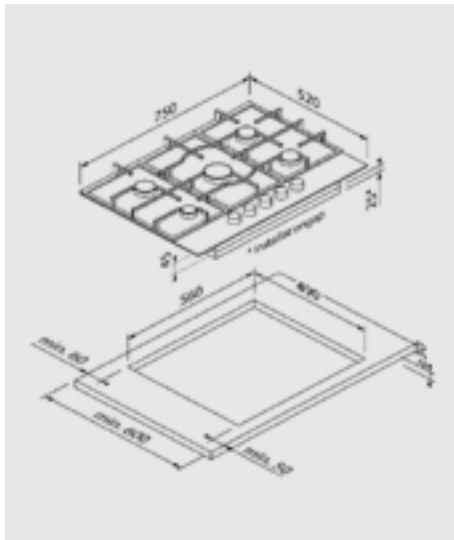
#### Display and Controls

5 dial knobs for each burner. Control knobs are located in front of the device. No residual heat display.

#### Energy Source

Natural gas (preset); can be converted to liquid gas.

### Specification



#### Dimensions

Appliance:  
H90 x W750 x P510mm  
Installation:  
H45 x W560 x P480mm

#### Material

Surface: Glass  
Pot Support: Cast Iron  
Control Knob: Plastic

#### Weight

Net: 10.5 kg  
Gross: 12.3 kg

#### Type

Built-in

#### Finish

Black

#### Cooktop Power and Type

Front left: 1kW  
Triple burner  
Rear left: 3kW  
Standard burner  
Front right: 1.75kW  
Economy burner  
Rear right: 1.75kW  
Standard burner  
Middle: 3.6kW  
Wok Burner

#### Worktop Size

Min Thickness: 30 mm

### Connection

- Power consumption: 2 W
- Gas connected load: 11100 W
- Fuse protection (A): /
- Voltage: 220-240 V
- Frequency: 50-60 Hz
- Device colour: Black steel
- Energy source: Gas
- Type of gas: Natural gas G20 20mbar
- Alternative gas type: Liquid gas G20 10mbar or 27.5mbar
- Approval certificates: CE, SAA
- Net weight: 10.5 kg
- Gross weight: 12.3 kg
- Length of connection cable: 100 cm
- Minimum distance from counter front: 50 mm
- Minimum distance from rear wall: 60 mm

### Accessories