



## AP-5B20N0290AU 60cm Built-in Oven

### Features & Benefits

#### Easy Cleaning

Removable door, smooth enamelled oven walls and suspended grills for easy cleaning.

#### Heat Trap

Full glass inner door combined with an internal oven light for viewing so there is no need to open the door, releasing the heat.

#### Quick Heating

Enamelled cooking chamber for faster oven heating.

#### Energy Efficient

Energy efficiency class A. 220-240 V with a total connected load 2.85kW.

#### Plug & Play

Australian standard electronic chord, just needs a power point to operate. No need to commission an electrician to install.

#### Child Safe

Triple glazed glass creates a low door temperature which prevents serious burns from accidental contact.

#### 5 Functions

Defrost  
Convection  
Grill with fan  
Grill  
Eco

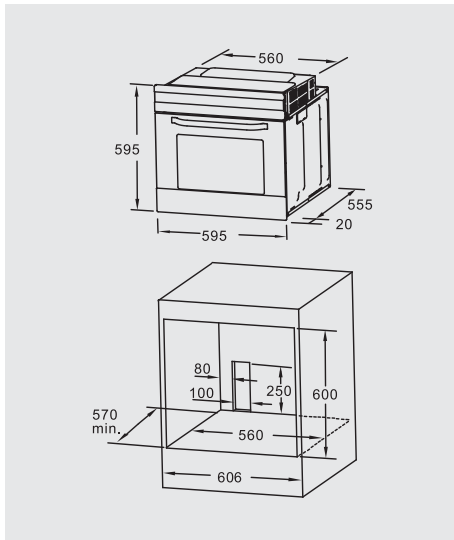
#### Display and Controls

3 dial knobs for control and LED indicators for activity and warning.

#### Heating

Electric

### Specification



#### Dimensions

Appliance:  
H595 x W595 x D575mm  
Installation:  
H600 x W560 x D550mm

#### Screen Height

120mm

#### Weight

Net: 32 kg

#### Volume

Net: 75 litres

#### Type

Built-in

#### Material

Door: Glass  
Panel: Stainless Steel  
Oven walls: Enamel

#### Finish

Stainless Steel & Black

#### Built-in Lights

1

### Connection

- Energy consumption conventional heating - oven 1: 0.99 kWh
- Energy consumption convection/hot air - oven 1: 0.79 kWh
- Hedging: 9.1A at 230V
- Voltage: 220-240 V
- Frequency: 50-60 Hz
- Plug type: SAA plug
- Front color: Stainless steel
- Energy source: Electric
- Approval certificates: CE, CB, RCM
- Length of power cable: 100 cm
- Net weight: 32.0 kg
- Gross weight: 36.4 kg

### Accessories



Combination grate



Enamelled baking tray