



## AP-5DA15160AU 52cm Fan Module

### Features & Benefits

#### Easy Cleaning

Stainless steel finish makes it easy to wipe off food splatters. Grease filters are dishwasher safe for quick cleaning.

#### Vision Comfort

Warm lighting with wide downward illumination creates a comfortable work station.

#### Hearing Comfort

Noise level as loud as washing machine, provides extraction without too much noise inconvenience.

#### Controls

Push button controls located on the base of the appliance.

#### Stylish

The appliance is integrated to the kitchen, making it more elegant.

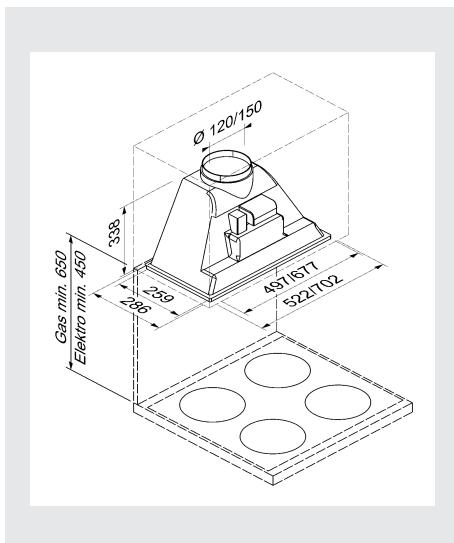
#### Programs

Extraction mode with 3 power levels  
Recirculation mode (requires carbon filter)

#### Energy Source

Electricity

### Specification



#### Dimensions

Appliance:  
H<sup>337.5</sup> x W<sup>522</sup> x D<sup>286</sup>mm

#### Material

Grease filter: Aluminium  
Surface: Stainless Steel

#### Finish

Stainless steel

#### Grease Filter

Dishwasher safe: Yes  
Type: Cassette Odour filter: Optional

#### Weight

Net: 4.4kg

#### Type

Built-in

#### Control

Electronic

#### Lighting

4W LED lamps x 2  
Temperature: 4,000K  
Illuminance: 100 lux

#### Extraction

Direction: Upward  
Power: 250-590m<sup>3</sup>/h

#### Noise

Minimum: 47dB  
Maximum: 63dB

### Connection

- Voltage: 220-240 V
- Total connected load: 160 W
- Frequency: 50 Hz
- Installation: Built-in
- Energy Source: Electric
- Gross weight: 5.4kg
- Approval certificates: CE, VDE
- Required distance from induction hob: 500mm
- Required distance from gas hob: 650mm
- Appliance dimensions: 337.5 x 522 x 286mm
- Installation dimension: 305 x 605 x 370mm
- Exhaust air outlet area: 150 x 120mm
- Height of the unit without chimney: 337.5mm
- Length of connection cable: 150cm
- Connection type: Australian
- Position of fan: Motor in the housing
- Flow direction: Upwards
- Maximum sound power: 63dB
- Number of lamps: 2 LED lamps
- Total power of lamps: 8W
- Connection Type: Hardwired

### Accessories

