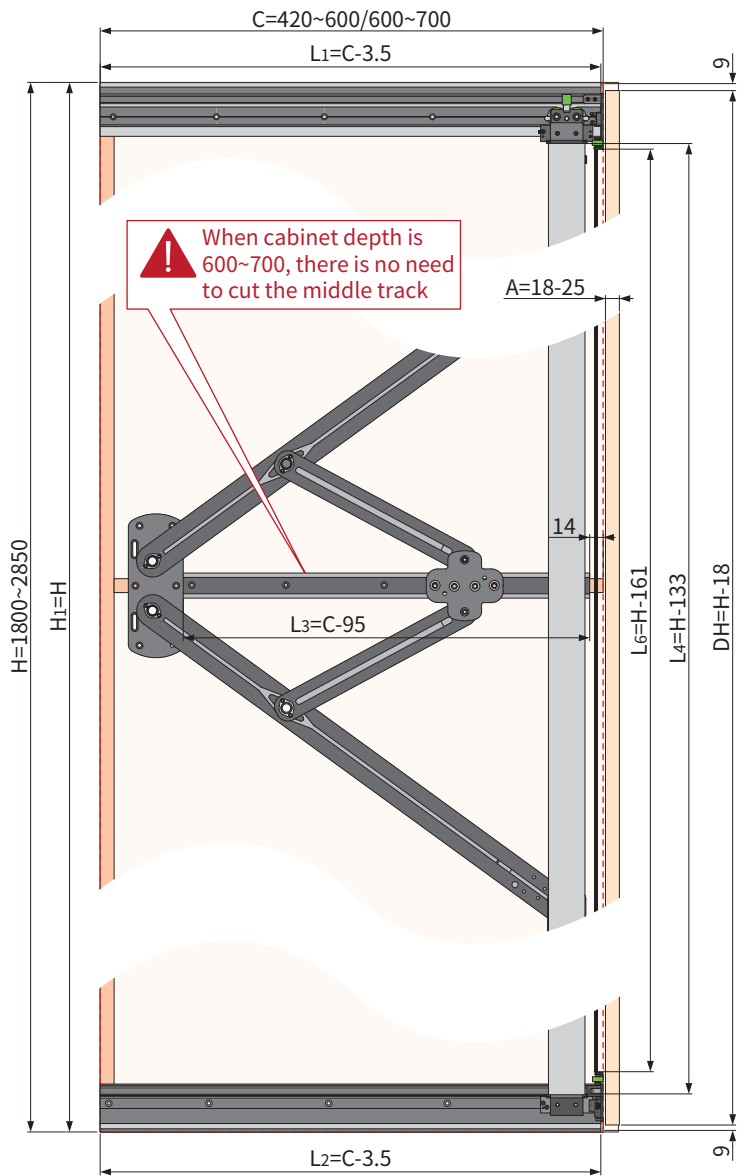
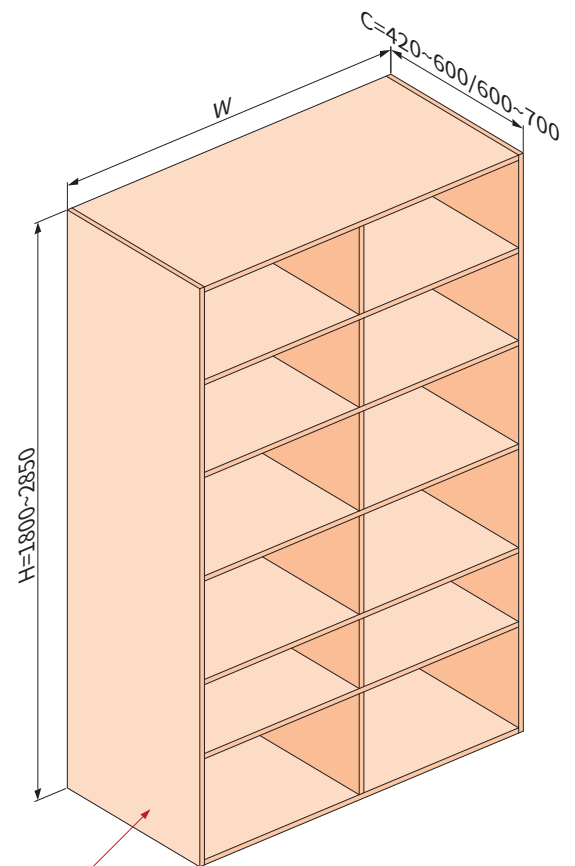
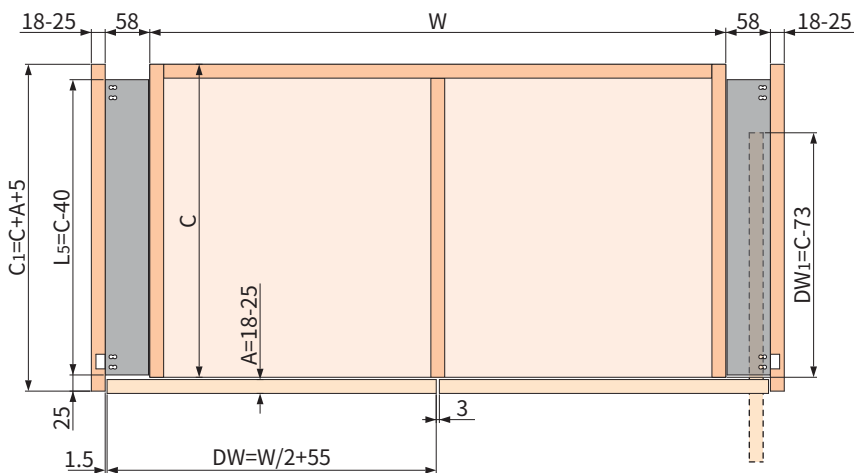


## Installation parameter

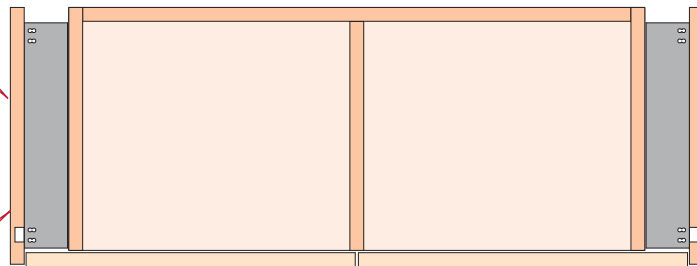
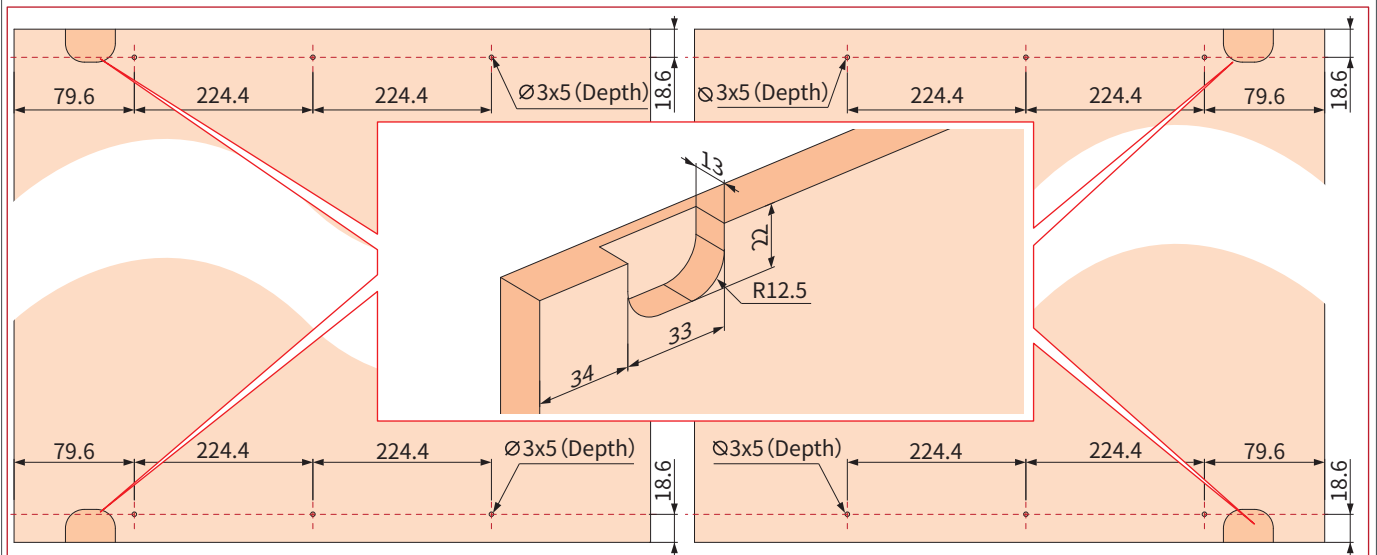


A	The thickness of the door panel	L1	The length of the upper track
C	The depth of the cabinet	L2	The length of the bottom track
C1	The depth of the seal panel	L3	The length of the middle track
H	The height of the cabinet	L4	The height of the axis
H1	The height of the seal panel	L5	The length of the connected panel
DH	The height of the door panel	L6	The length of the profile for weather strip & brusher
DW	The width of the door panel		
DW1	The depth of the pocket	W	The width of the cabinet

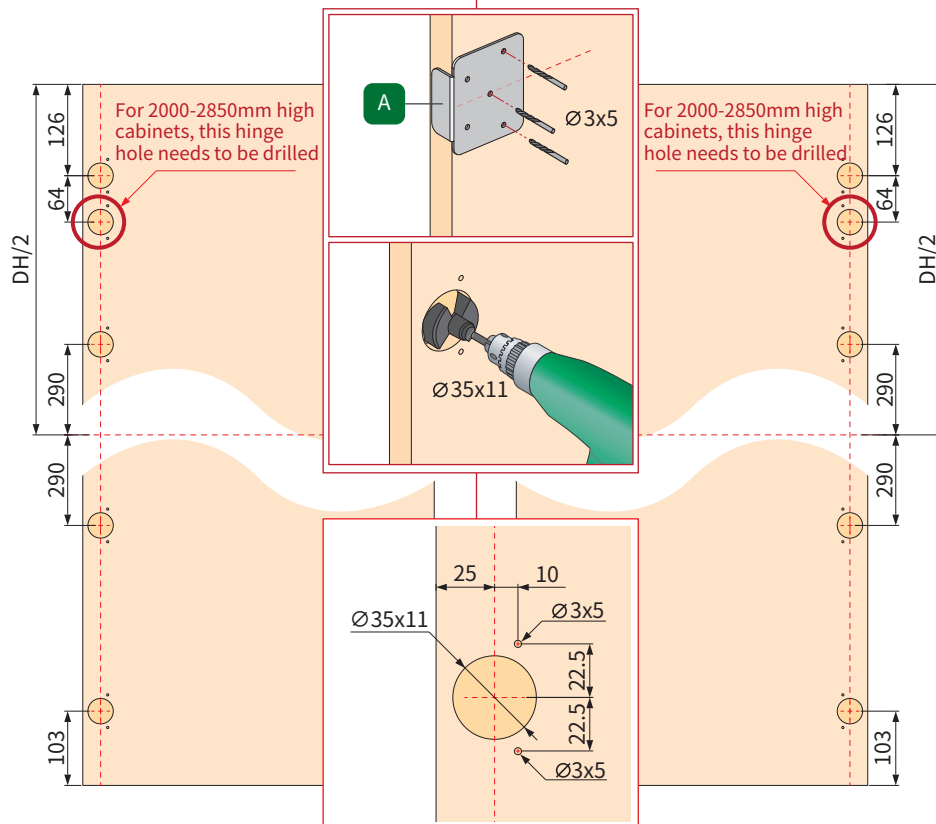


Note: No Baseboard

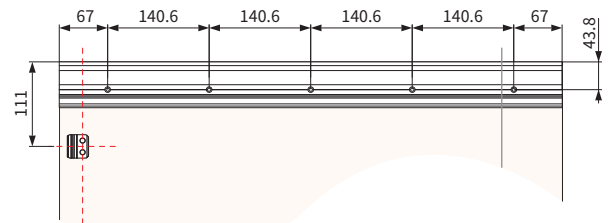
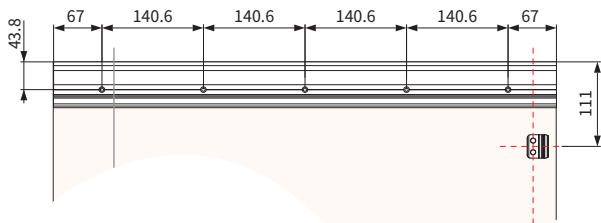
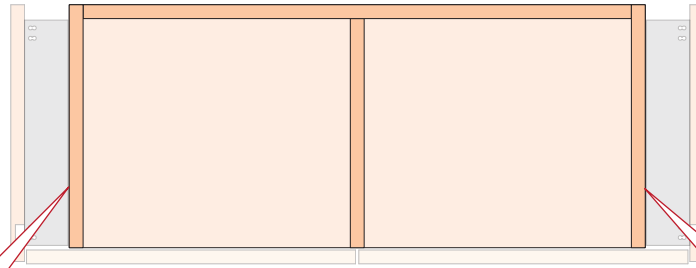
## Installation parameter



- ⚠ 4 hinges for 1800-2000mm high cabinets
- 5 hinges for 2000-2850mm high cabinets



## Installation parameter

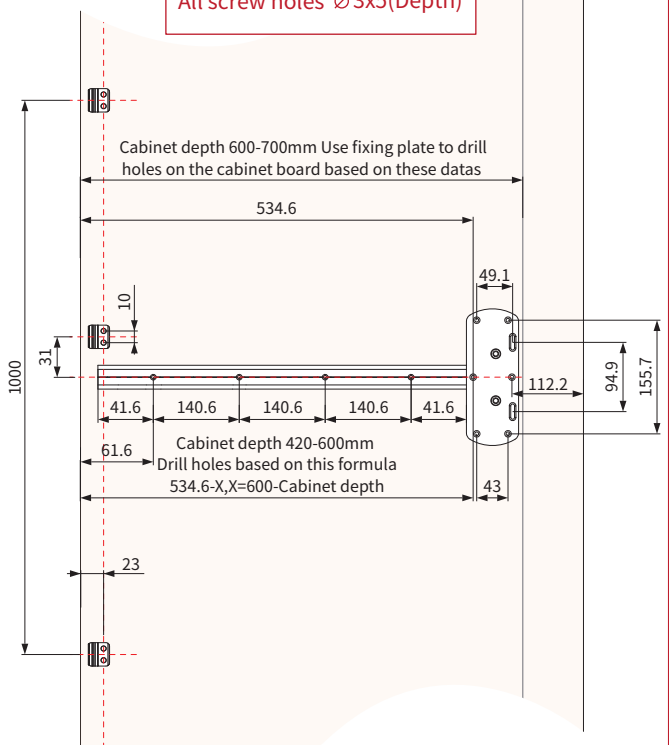
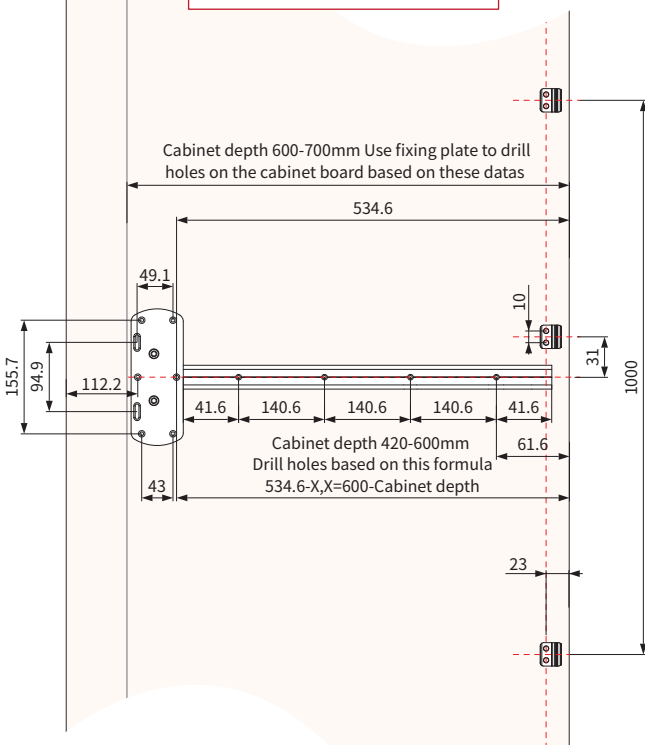


All screw holes  $\varnothing 3 \times 5$ (Depth)

All screw holes  $\varnothing 3 \times 5$ (Depth)

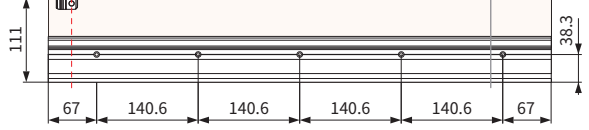
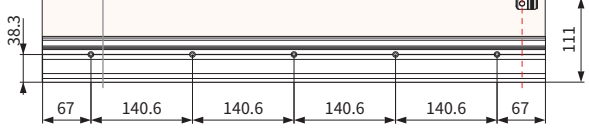
Cabinet depth 600-700mm Use fixing plate to drill holes on the cabinet board based on these datas

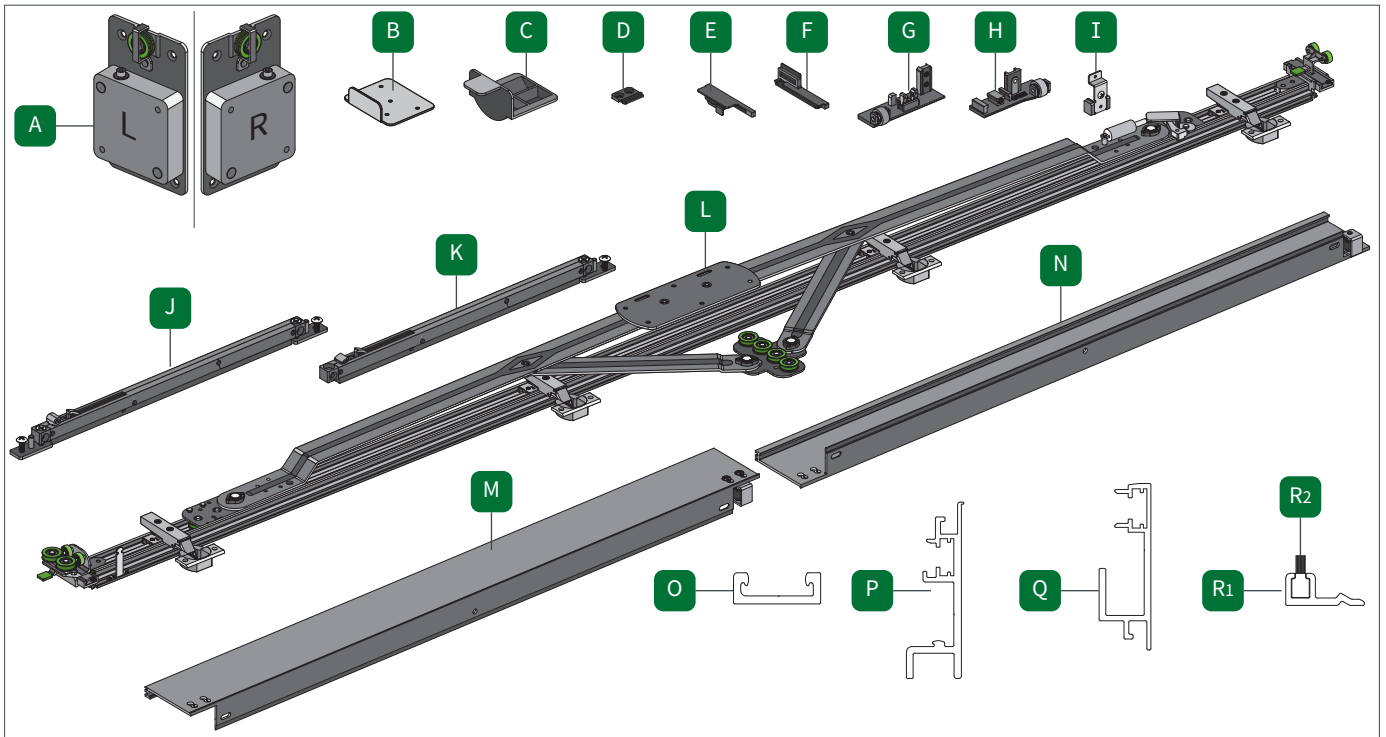
Cabinet depth 600-700mm Use fixing plate to drill holes on the cabinet board based on these datas



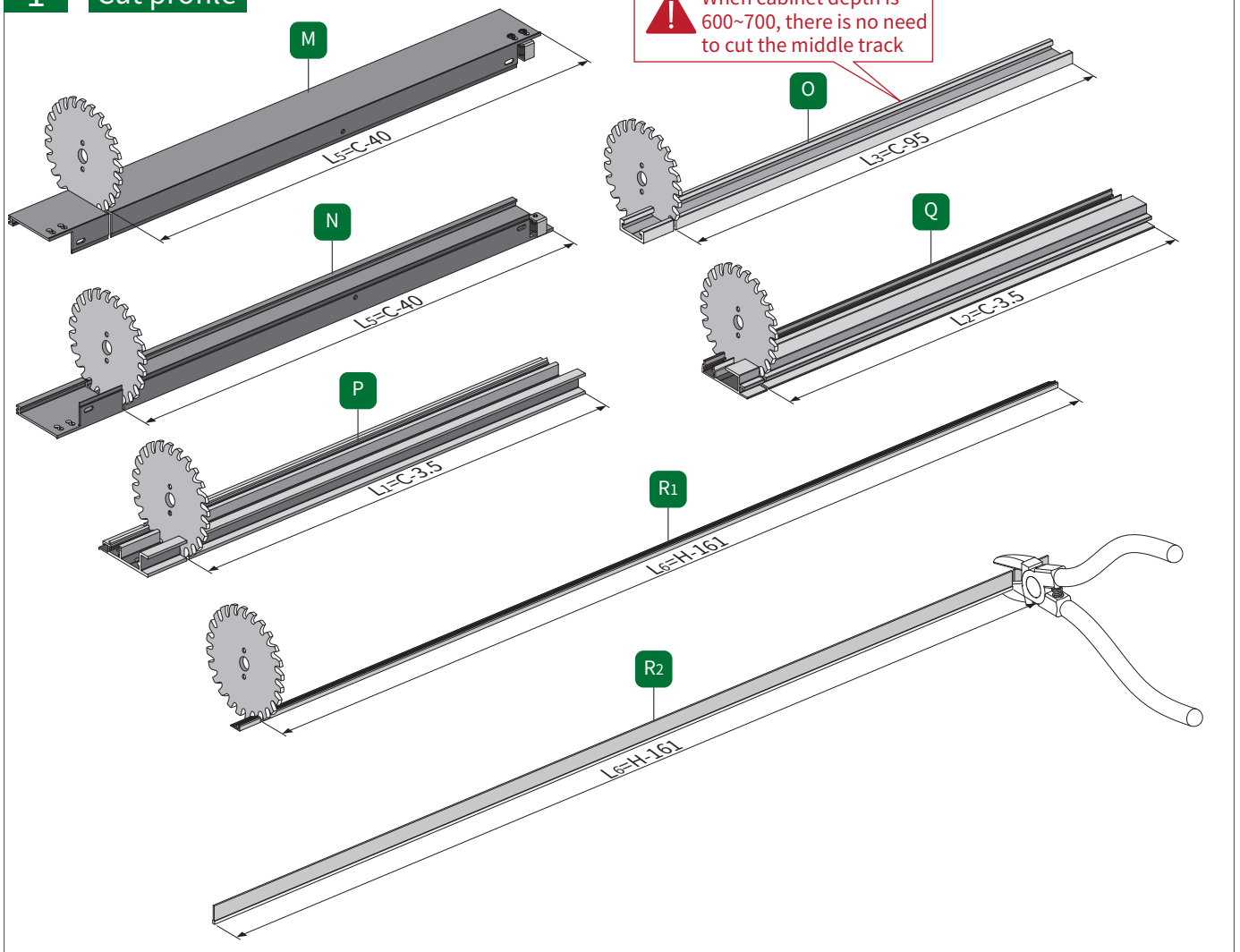
Cabinet depth 420-600mm  
Drill holes based on this formula  
 $534.6 - X, X = 600 - \text{Cabinet depth}$

Cabinet depth 420-600mm  
Drill holes based on this formula  
 $534.6 - X, X = 600 - \text{Cabinet depth}$

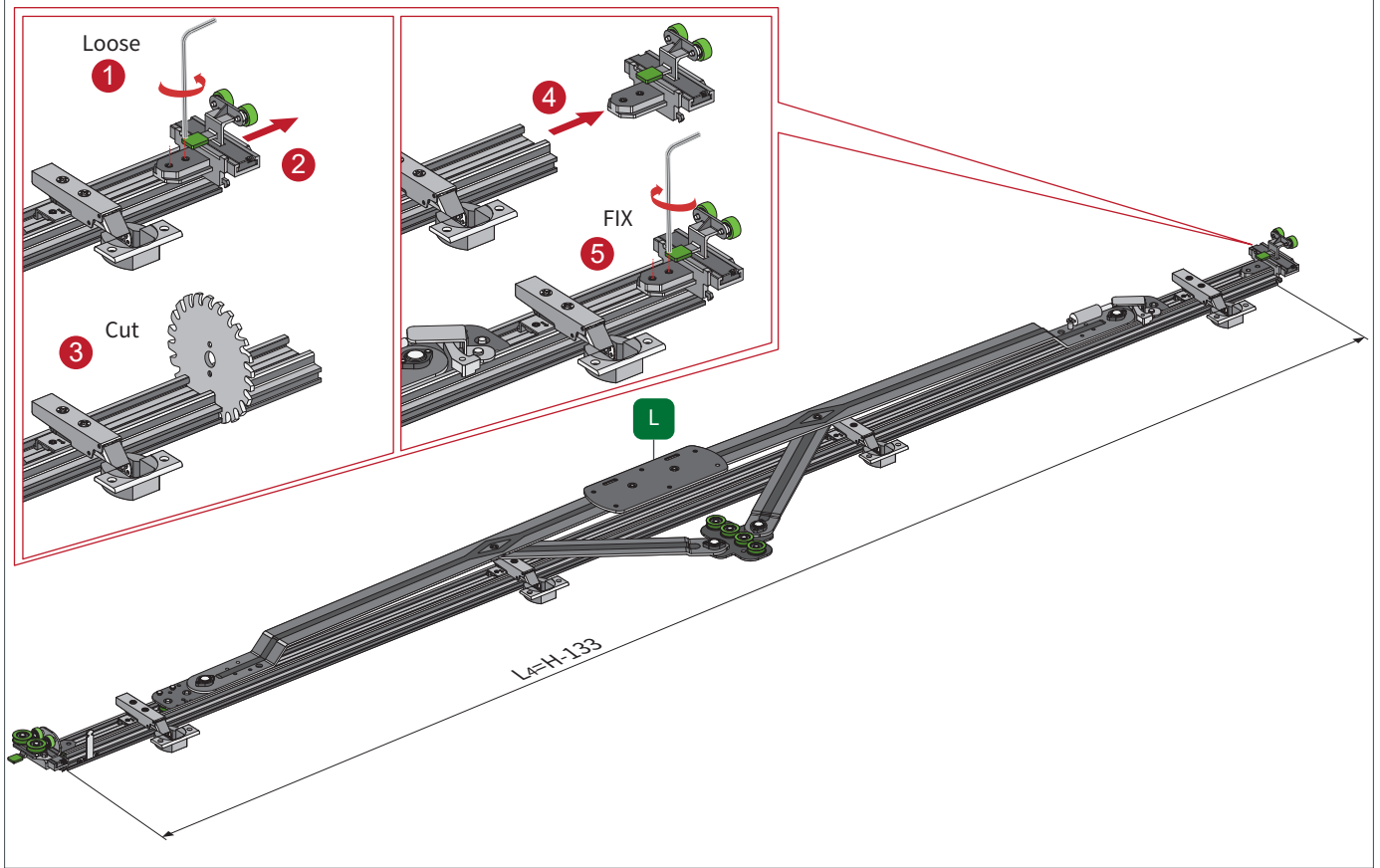




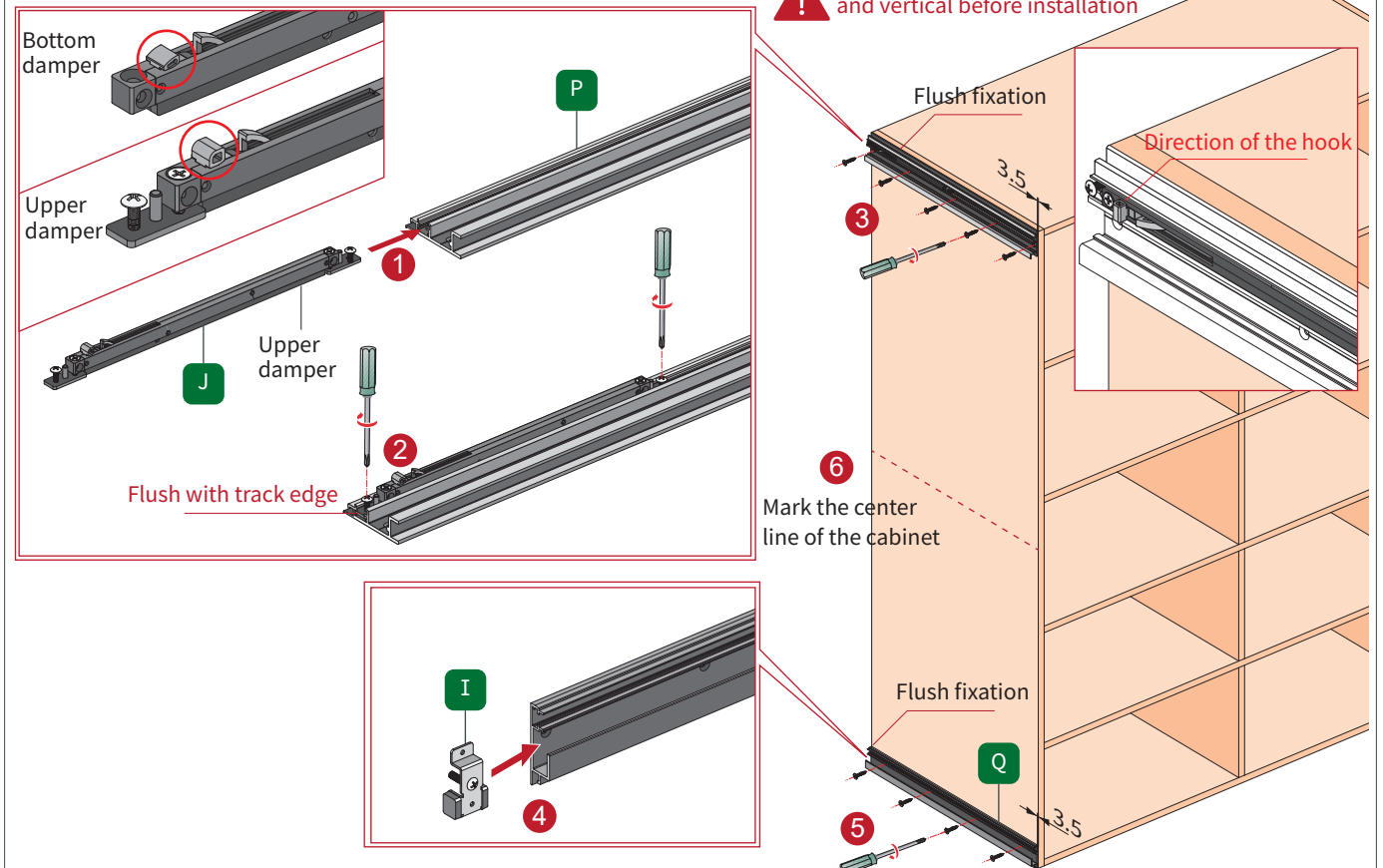
## 1 Cut profile



## 2 Cutting Center shaft Install the middle rail

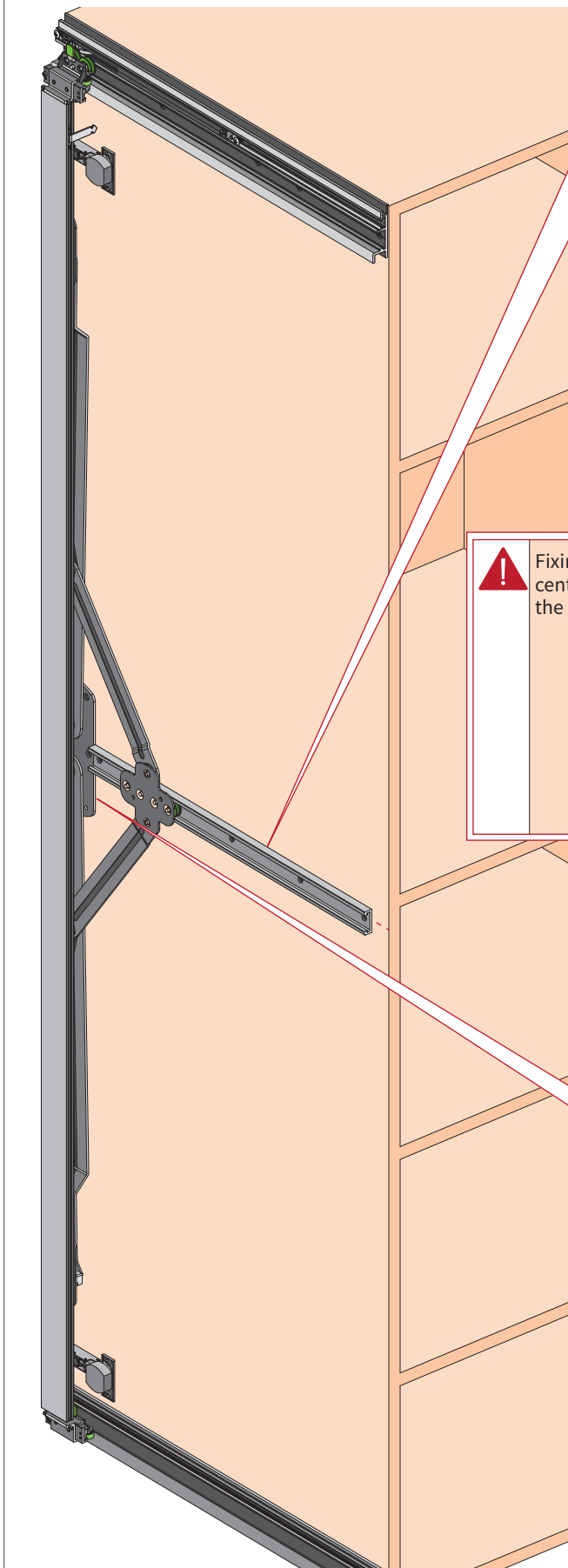


## 3 Install Upper Track & Lower Track





## 4-2 Mounting bracket



**1** 14

**2** Alignment of center rail to center line of cabinet

**3** Fix a screw first

**4** Make sure the mid-track is level

Level

**5** Fix the rest screws of the middle rail

**!** Fixing plate aligns center, against the middle track

**6** Fix the Longhole with screw, with semi-fixed state

Fix the screw in the middle of the strip hole

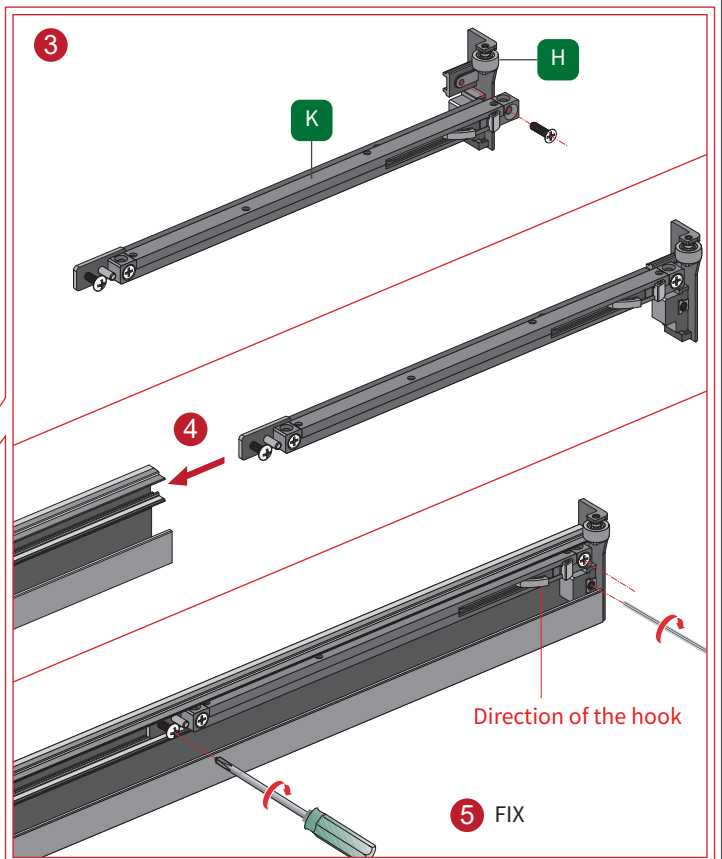
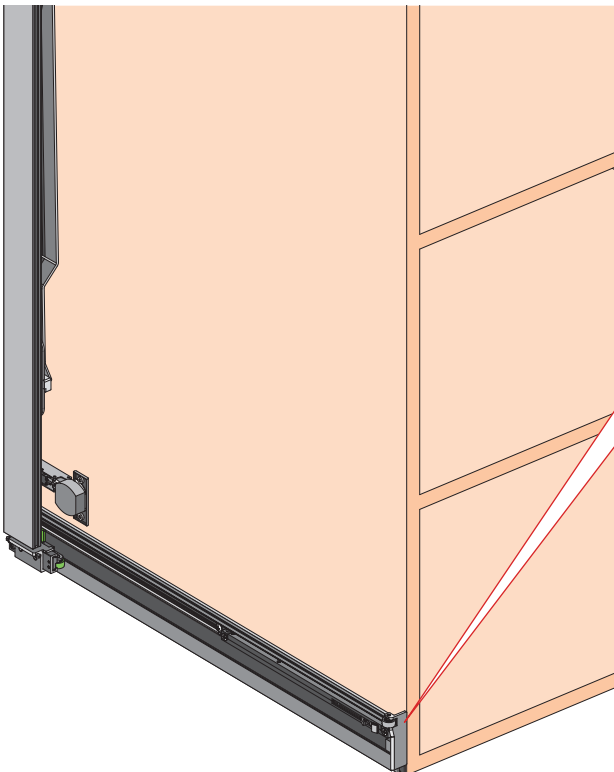
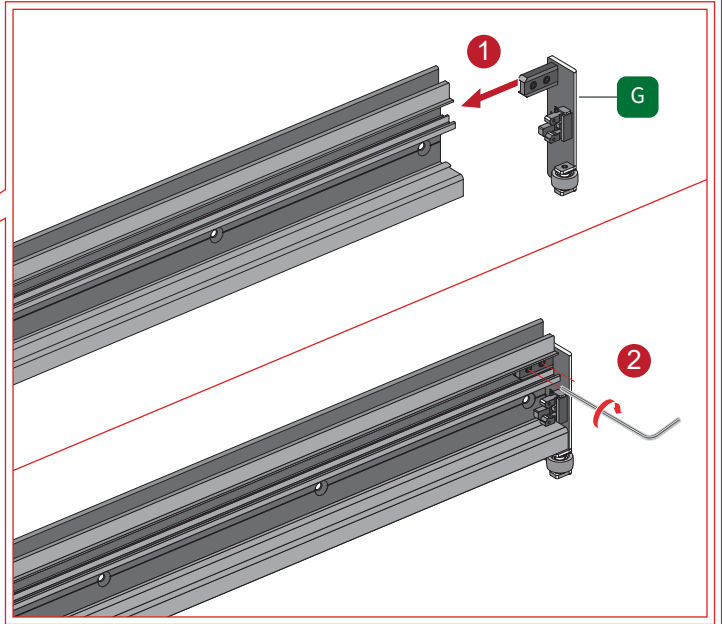
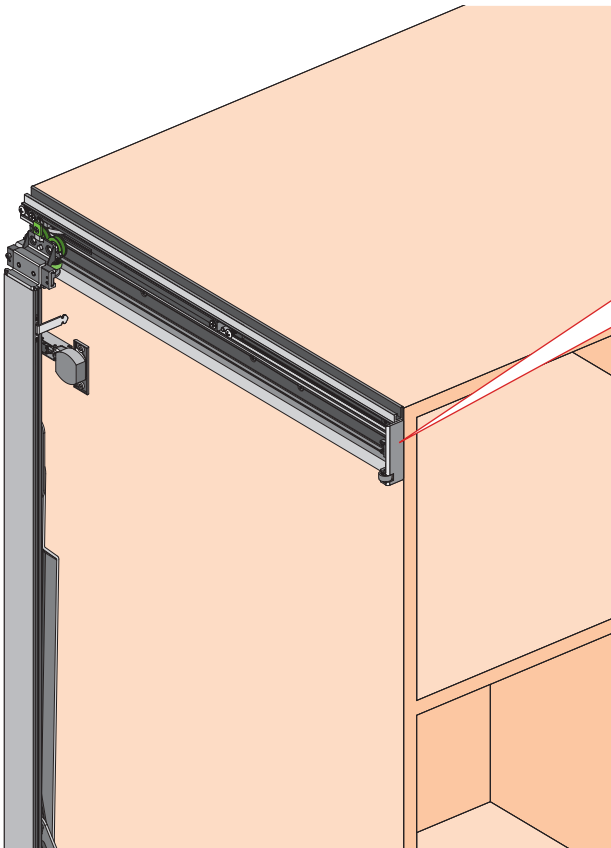
**7** Measuring Center axis level

Level

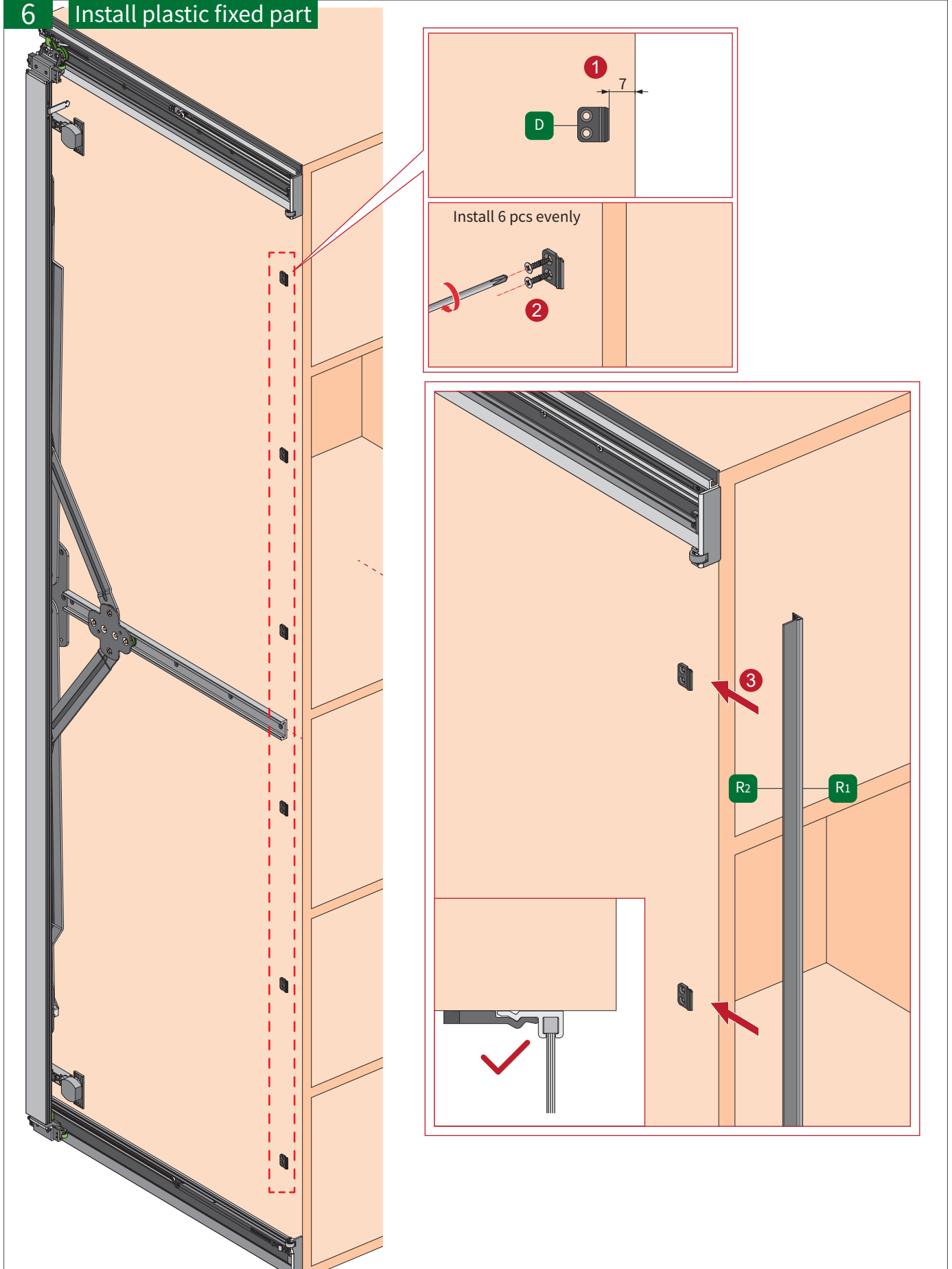
Level

**8** FIX

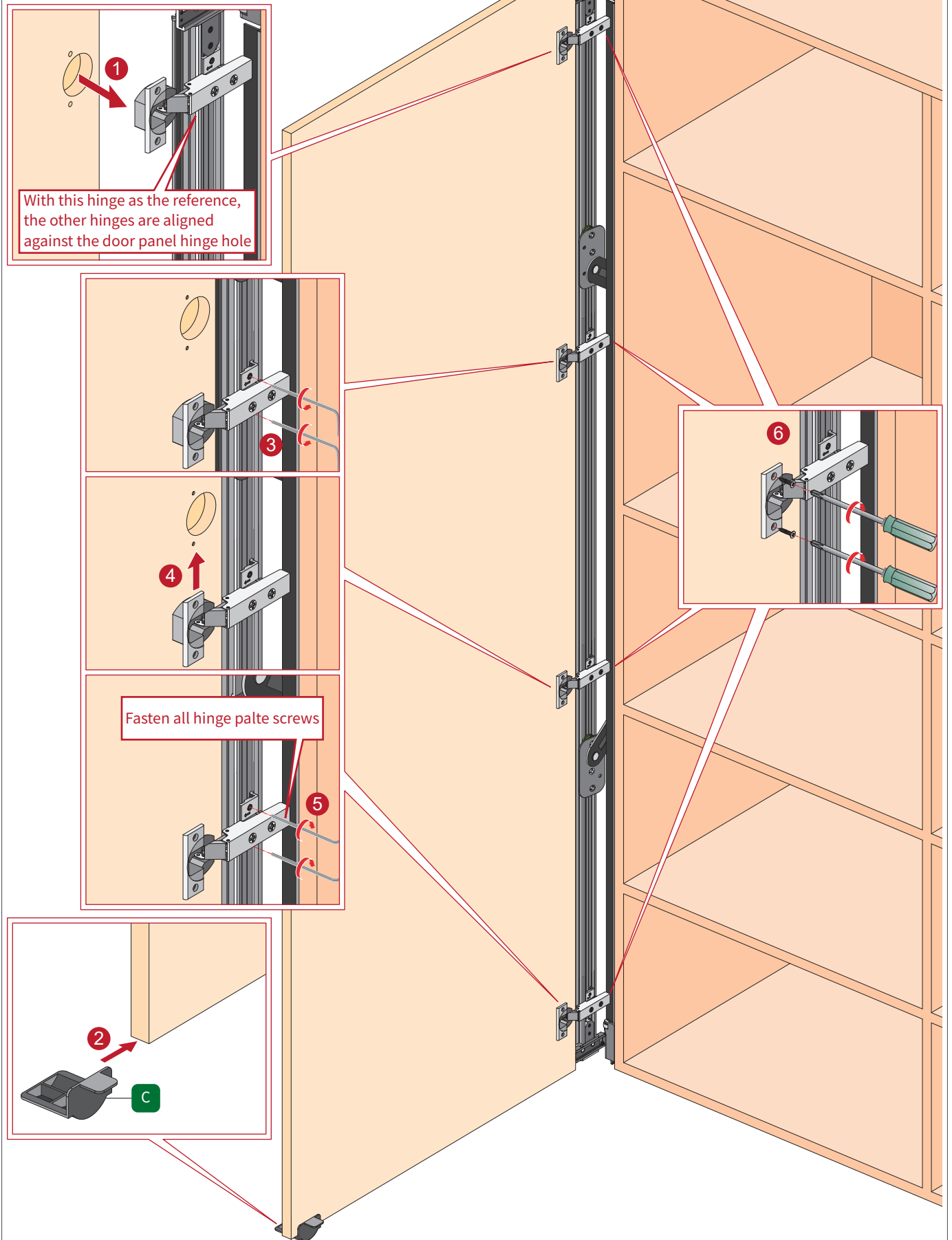
## 5 Install the Upper & Lower Plug



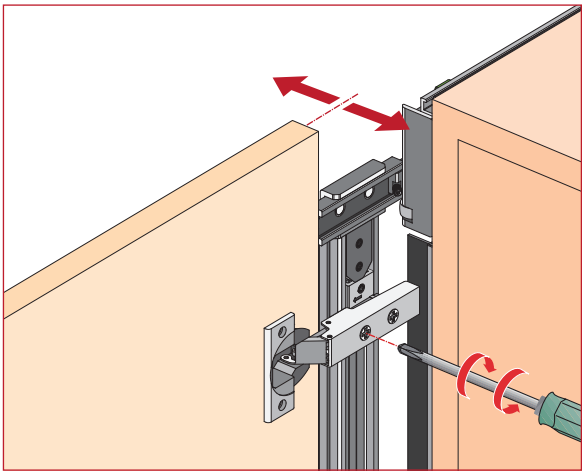
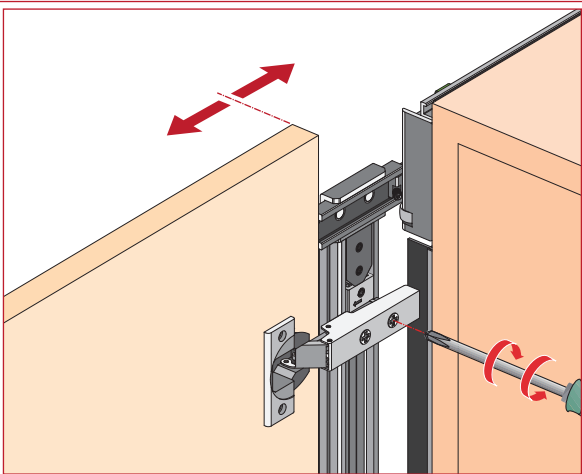
## 6 Install plastic fixed part



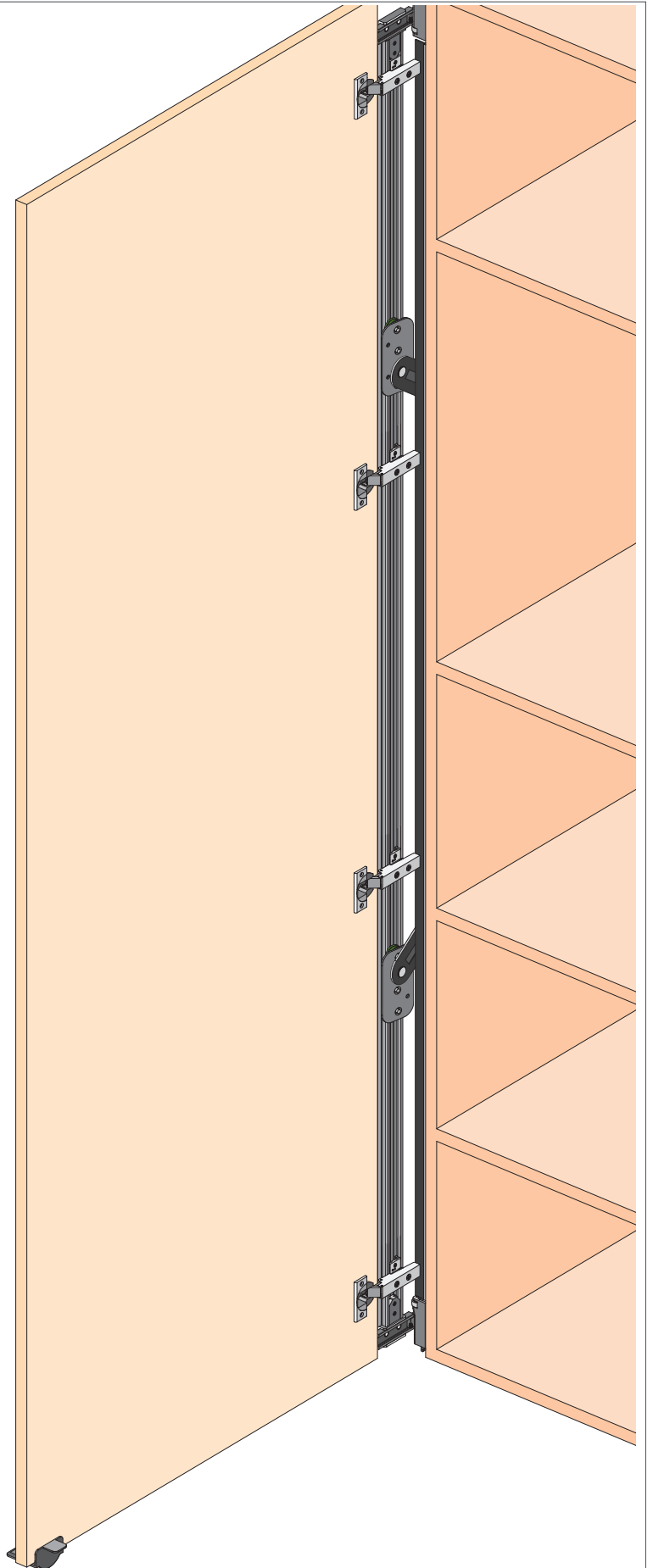
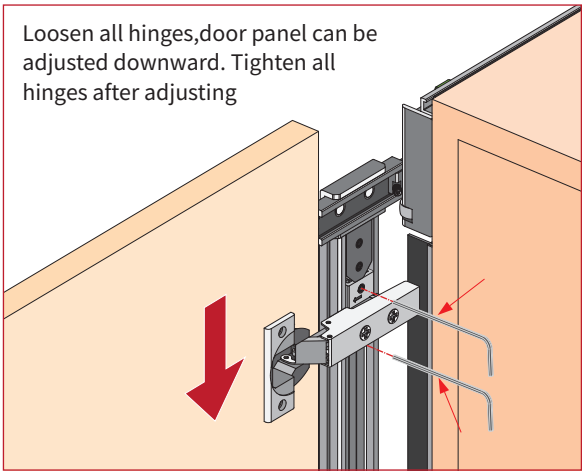
## 7 Install the door panel



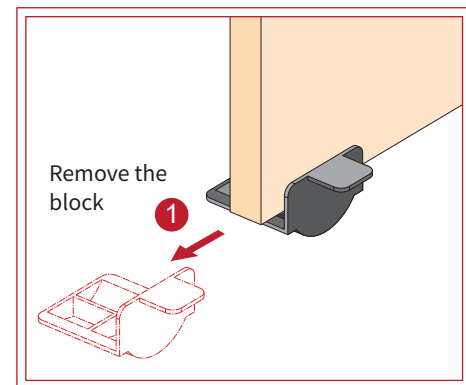
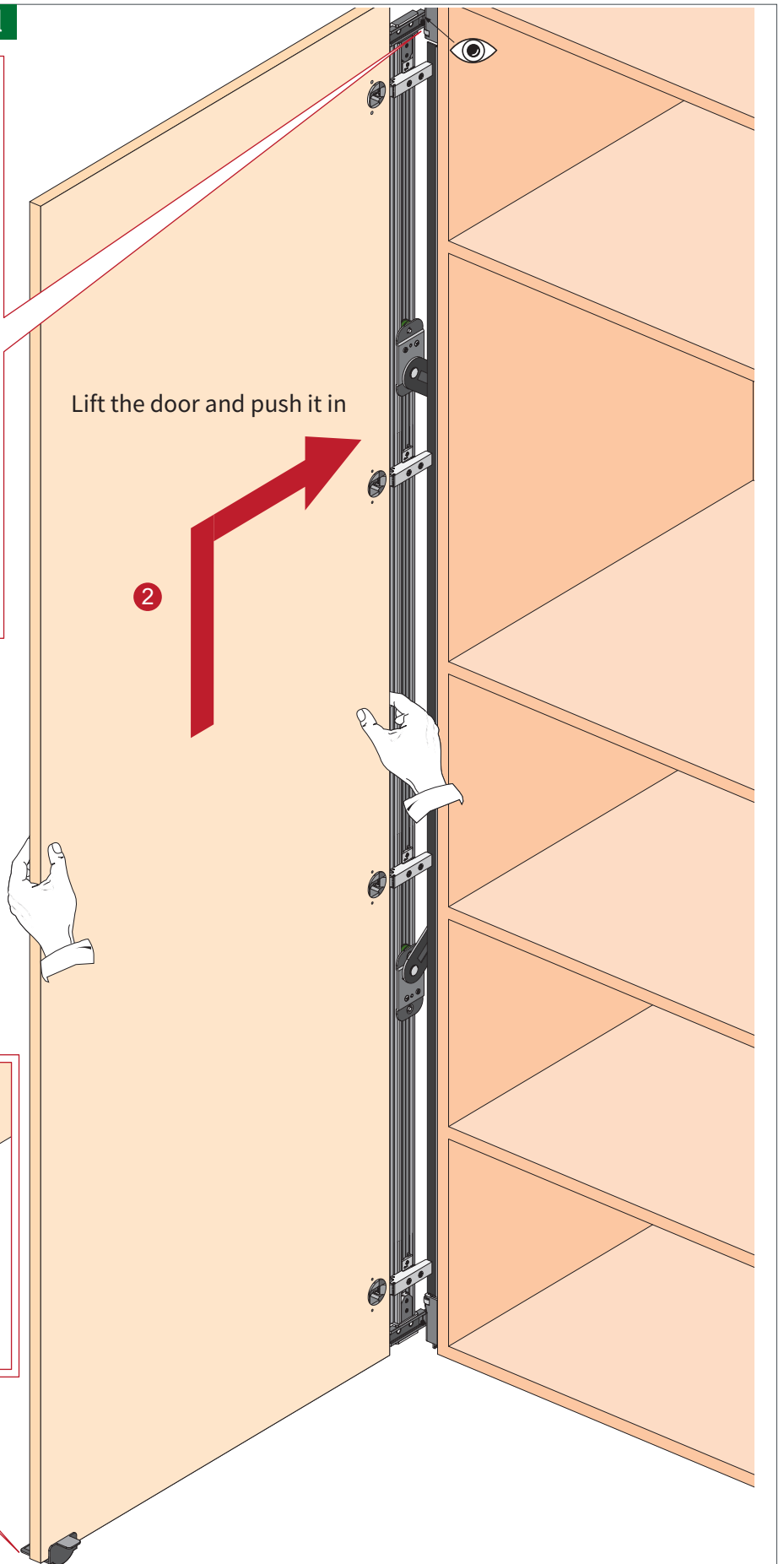
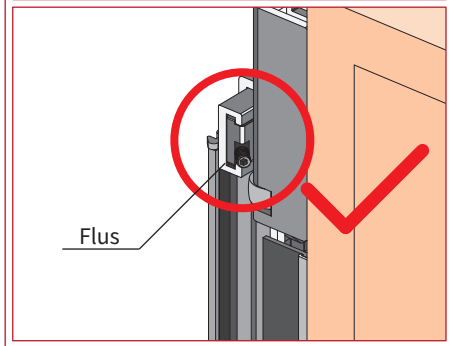
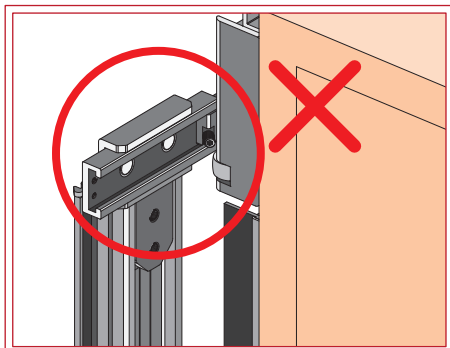
## 9 Adjust the door panel



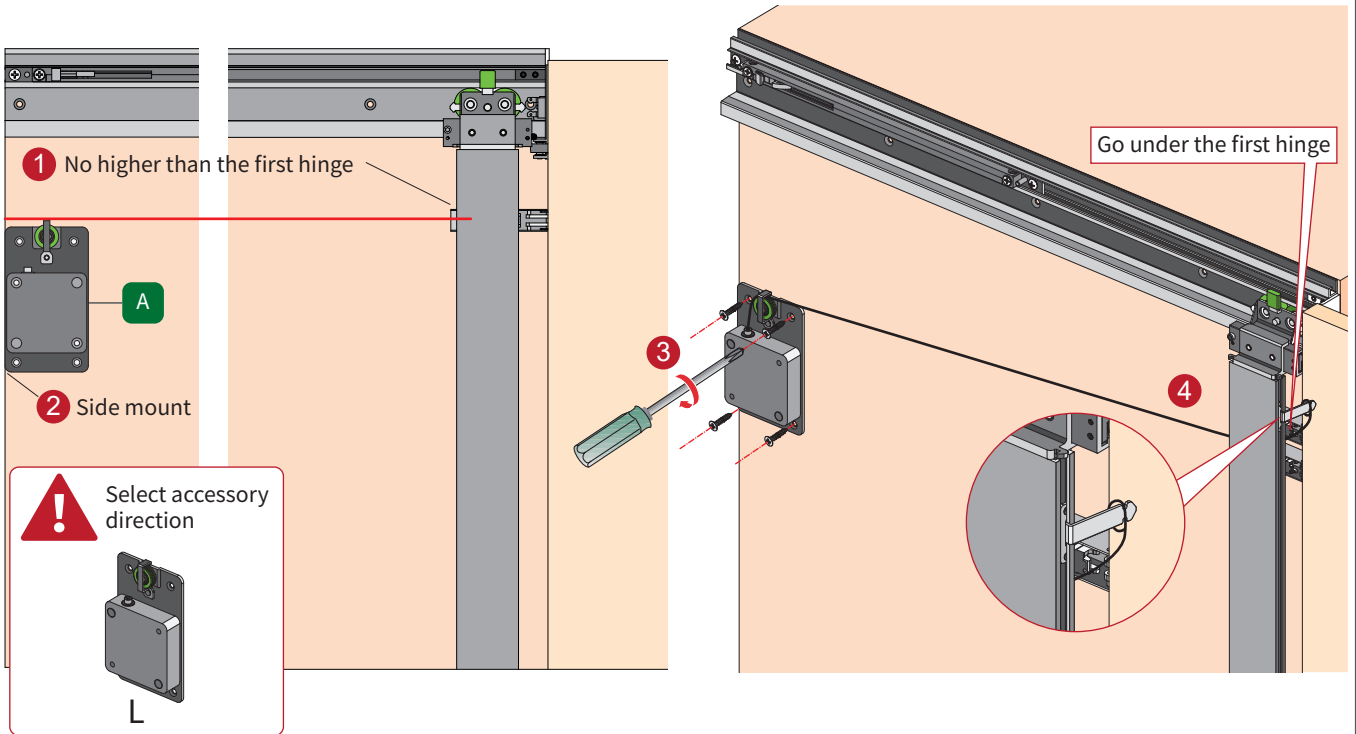
Loosen all hinges, door panel can be adjusted downward. Tighten all hinges after adjusting



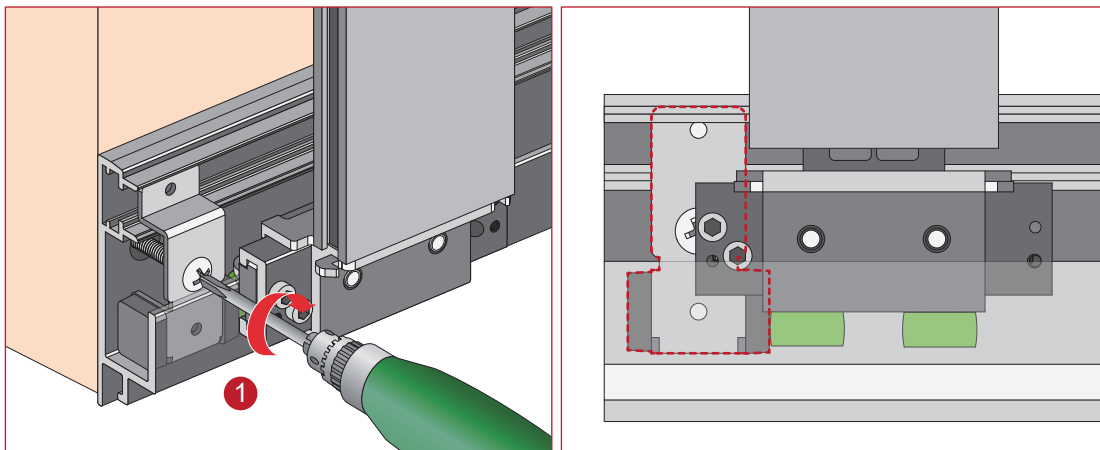
## 10 Promote the door panel



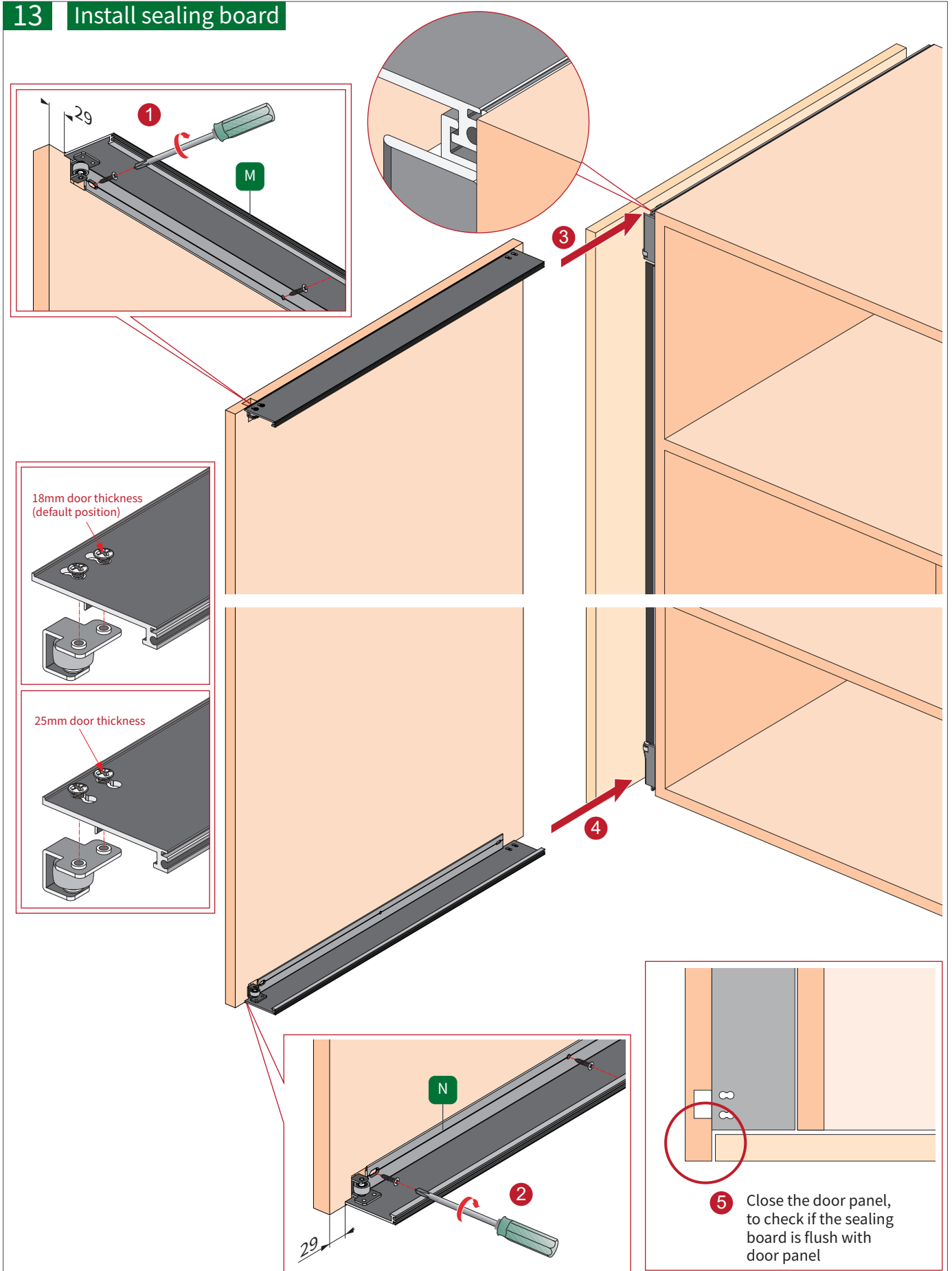
## 11 Install the tensioner



## 12 Install the stopper



## 13 Install sealing board



## 14 Fixed sealing board & mounting decorative cover

