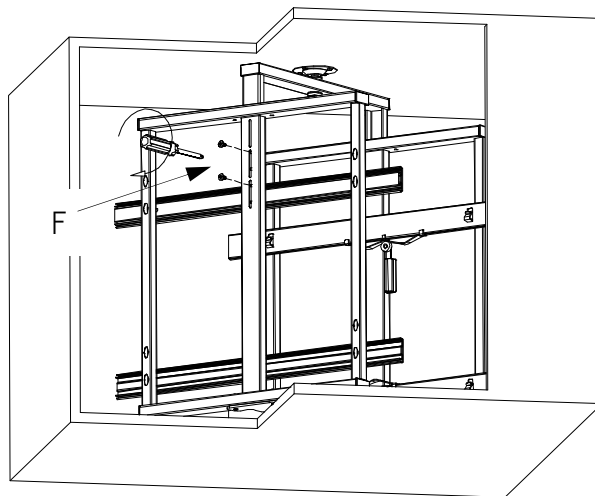
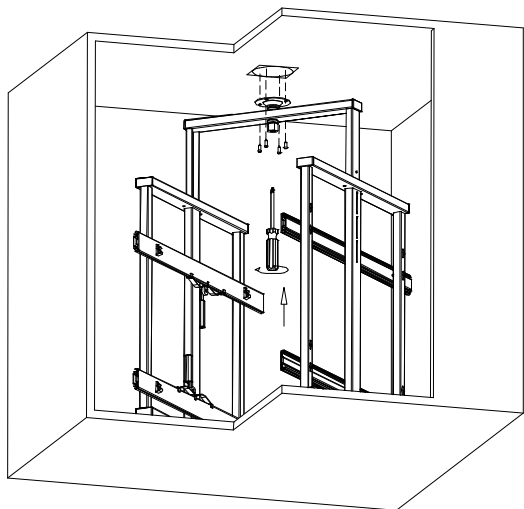
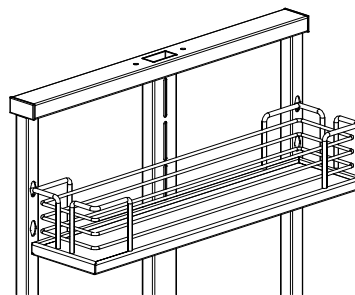
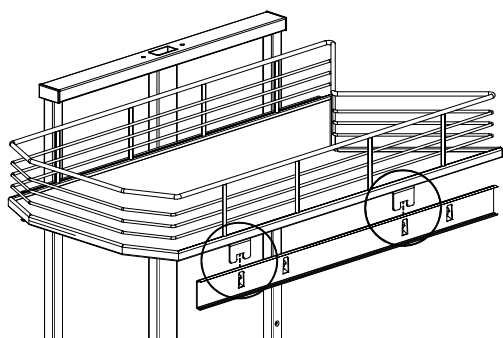




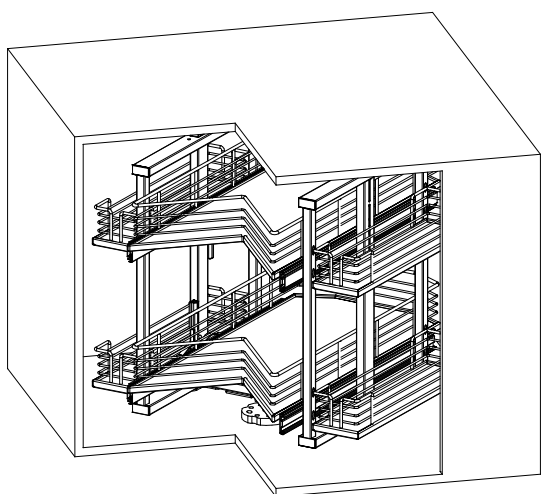
Step 4: Pull the adjustable frame to top of cabinet, use screw F to fix A and C and D.



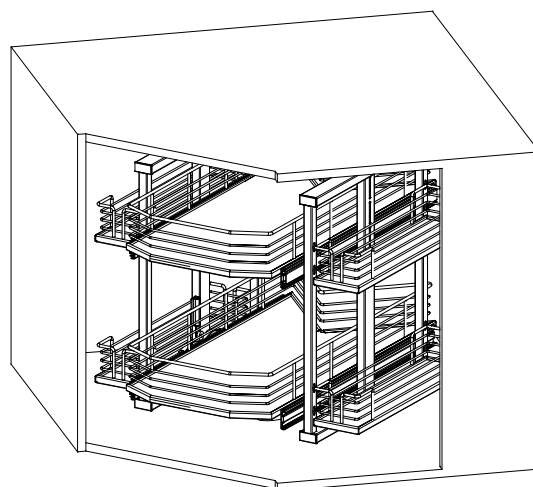
Step 5: Clip on basket.



Step 6: Finished



Pie-Cut type



Full-Round type